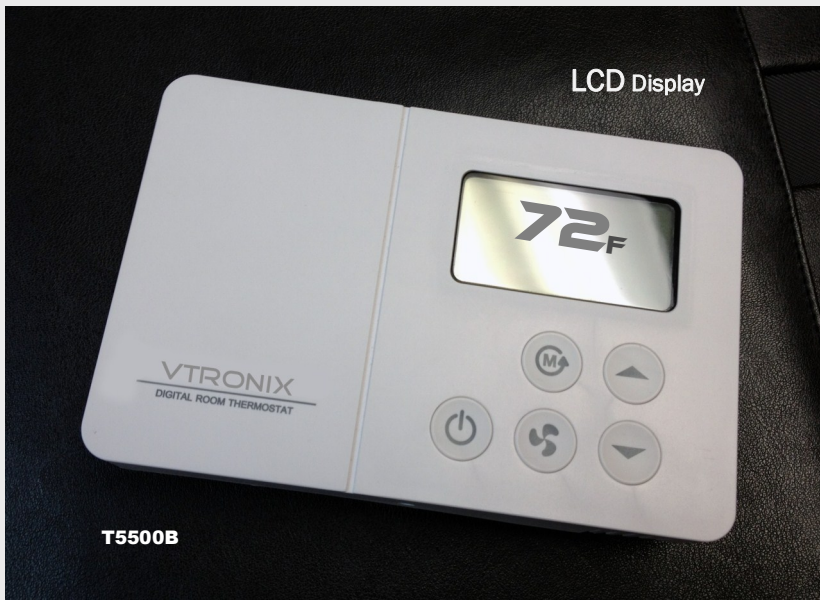


NEXT GENERATION FAN COIL THERMOSTAT



Introducing the T5500 Series Digital Fan-Coil thermostat for residential and commercial applications. Great for use in hotels, condos, and school classrooms. It provides line voltage and low voltage on/off control for various fan-coil units. Provides control of 2 or 4 pipe fan-coil units, Includes manual or automatic heat/cool changeover. The fan can also be controlled from the thermostat, which offers three fan speeds (Low, Med, High) and Auto. Auxiliary electric heaters can be controlled using a relay or contactor.

T5500A model with LED display. Voltage is 24, 120VAC or 220VAC.

T5500B model with LCD display. Voltage is 24VAC or 120-220VAC.

Simple, Intuitive User Interface!

Attractive Modern Styling Ideal For Hotels And Condos.

- ⇒ Optional remote temperature sensor and remote pipe sensor.
- ⇒ Adjustable maximum heating and minimum cooling set point limits.
- ⇒ Installer setup mode allows changes of operating parameters.
- ⇒ Permanently retains settings, including set points, during power loss.
- ⇒ Size: 5 5/8 x 3 3/4 x 1 1/8 in.
- ⇒ Four buttons allow manual control of system operation, fan speed, and temperature set point adjustment.
- ⇒ Fan Ramp Algorithm automatically adjusts Low, Medium, High fan speed.
- ⇒ Remote setback input from occupancy sensor or hotel card key.
- ⇒ Model choice of LED or LCD Display.
- ⇒ Selectable C or F. degrees.



PO Box 267096 Weston, Florida 33326

Email: Sales@vtronix.com

Website: www.vtronix.com

Tel: 305-471-7600

Fax: 305-471-9787

T5500 SERIES



ELECTRICAL CHARACTERISTICS

POWER SUPPLY:

T5565A: 120VAC or 220 VAC, Cool Only

T5575A: 120VAC or 220VAC, Heat/Cool

T5585A: 24VAC, Heat/Cool

T5565B: 120-220 VAC, Cool Only

T5575B: 120-220VAC, Heat/Cool

T5585B: 24VAC, Heat/Cool

TEMPERATURE:

Temperature accuracy +1°C

Storage temperature 0–70°C

Ambient temperature 10–50°C

Setting temperature range 15–30°C (58–88°F)

HEAT and COOL RELAY: Rating (resistive load)

Maximum switching capacity 5 A 250 VAC

FAN RELAY: Rating (resistive load)

Maximum switching capacity 5 A 250 VAC



T5500 SERIES

SYSTEM FEATURES

REVERSING VALVE CHANGE PROTECTION (FOR HEAT PUMP)

Whenever the reversing valve is to change its state, either OFF ON or ON OFF, it can be done after the compressor stops at least one minute.

COMPRESSOR DELAY PROTECTION

If the unit is preset to heat cool with compressor delay protection, each time the compressor turns off, there will always be a minimum of 3-minute delay before the compressor can restart. In case of power interruption, the system will initiate a compressor delay in the range of 3-4 minutes in random order.

AUTO RESTART

All the setting parameters are kept in non volatile memory. When there is a power failure and return back to normal, the system will resume its operation with the same setting parameters.

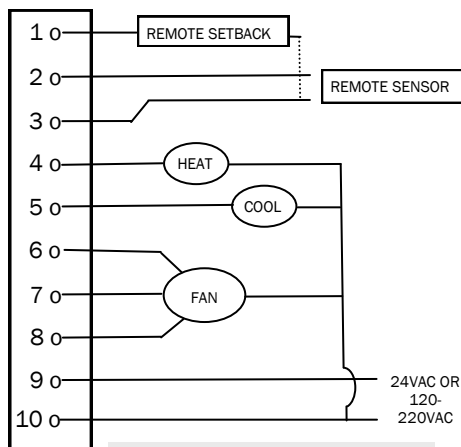
WATCHDOG

There is a watchdog circuit to watch the operation of the microprocessor. If it malfunctions, this circuit will reset the microprocessor automatically.

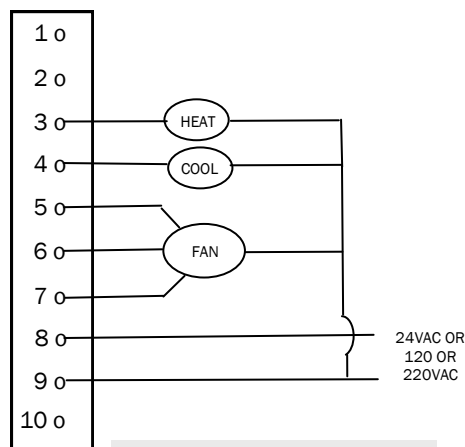
SENSOR ERROR ALARM

If the room sensor is open/short circuit, the thermostat will stop the compressor or any heating equipment and the display will show rE.

WIRING DIAGRAMS



T5565B/T5575B/T5585B



T5565A/T5575A/T5585A

