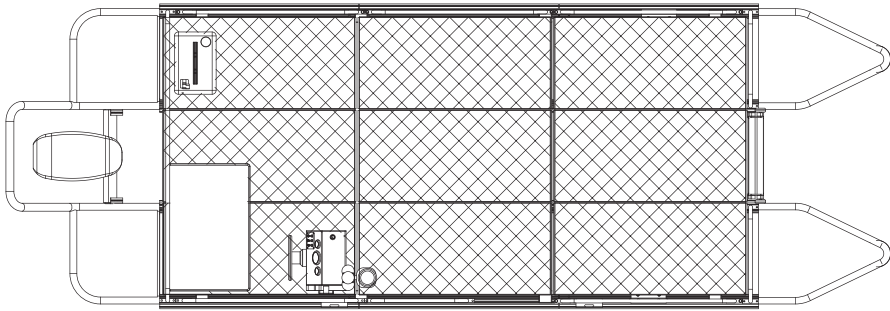


Modular rescue catamaran featuring Floating platform TECNOFLOAT system

MINI NOAH



PATENTED



Main Features

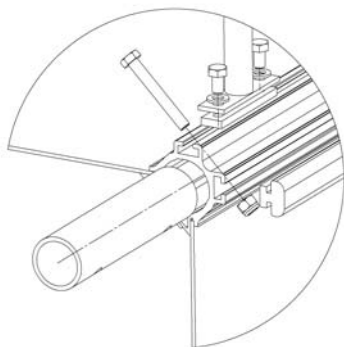
The Tecnofloat® system has its highest point in the Noah range of modular boats. Mini Noah, created for water professionals, is the smallest motorized floating unit built with the Tecnofloat® system, and is ideal for interventions in small spaces. The fine technology and exceptional stability of the catamaran hull, with its watertight floating modules, make Mini Noah a versatile system with high safety standards. Mini Noah is designed for use in extreme conditions and characterized by an excellent load-capacity compared to its dimensions. Thanks to its sturdiness and versatility features, Mini Noah is also well suited to repetitive work conditions such as transport of people or transfer of materials and animals onto larger floating structures.

Standard features

- Mini Noah has 9 m² usable deck area, made of lightweight antislip perforated metal sheet, to facilitate drainage and provide good under deck visibility between the hulls.
- A foldable, extendable bow ramp can be used to embark people, including those with reduced mobility or on wheelchairs
- The whole perimeter of the deck area is fitted with safety railing made of lightweight alloy, with openings for passage of material and passengers.
- The Tecnofloat® system with structural guides is designed not only to enable installation of any kind of instrument but also to fit haulage and launching rings.
- Pilot console with engine controls.

The Tecnofloat® system (patented)

- The patented Tecnofloat® system is constructed in a lightweight, highly resistant alloy that enables watertight modules to be joined together guaranteeing structural continuity. The special guide profile and fixing on four sides of each module makes it possible to insert the beams joining the modules, the handrails and the walking surface with the simple use of bolts.
- Tecnofloat® profile guides are designed for insertion of high-resistance plastic material, to facilitate sliding of the boat on abrasive surfaces and prevent wear of floating parts.
- Tecnofloat® profiles make it possible to create boats with size, shape, draft and deck area to suit the specific needs of every single client.
- Thanks to its great versatility, our Tecnofloat® system can be used for motor applications as well as for floating platform purposes.



Technical specifications

Design category	D
Total length	6.68 m (including engine and roll bar)
Maximum width	2.30 m
Compartment width	0.80 m
Draft empty	0.21 m
Draft with maximum load	0.30 m
Empty load displacement	1185 kg (basic version)
Maximum load displacement	1900 kg
Hull and deck structure	Lightweight alloy for naval use
Handrail all around	Lightweight alloy for naval use
Loading	Extendable bow ramp
Recommended engine	20 o 40 hp 4 Stroke - L
Fuel tank	25 l (basic version)

Engine

- Outboard engine 20 to 40 Hp - 4 strokes, long foot.

Optional features

- Access into water through central opening
- Installation of Stem's fire motor pump unit easily fitted on board when needed.

