



Instrumentation

Distributor Reference Guide



Important note:
Fairbanks product information located at the
Nexus platform are updated more
frequently and are the best source for
current product information.



Contents

Fairbanks Industrial Instrument Comparison.....	4
Fairbanks Heavy Capacity Instrument Comparison	5
FB1150 Instrument.....	6
FB1200 Instruments	7
FB1200 Enclosure Measurements	8
NexWeigh Instrument.....	9
NexWeigh Pricing.....	10
FB6005/15 Instrument	11
FB7000 Series Instruments.....	12
FB7100 Series Instruments	12
FB7100 Accessories & Notes:.....	13
FB7200 Instrument	14
FB7200 Pricing & Information.....	15
FB7200 Accessories.....	16
FB2560 Instrument.....	18
FB2560 Accessories & Notes	19
Photo Eye Accessory Kit for FB2560	20
FB2560 Drawings:.....	21
FB4000 Series Instrument	22
FB4000 Accessories & Notes	23
FB4000 Drawings:.....	24
Intalogix QLC (Quad Loadcell Controller) Instruments	25
Other Instruments (FB2250 & FB2255).....	26
FB2250/55 Accessories.....	26
Intalogix Conversion Packages.....	27
Rice Lake Analog-to-Intalogix Conversions.....	27
Accessories & Options	28
Load Cell Interface Cards.....	28
Instrumentation Accessories.....	30
Cables	31
Pit Power Supply (PPS)	33
Smart Sectional Controller (SSC)	33
Analog Section Box & J-Box	33
Wireless Intalogix System	34
Quad Load Cell Box (QLC).....	35

Traffic Lights	36
Traffic Light Kits.....	37
Remote Displays.....	38
EFSIC Upgrade Option for Highway Systems	39
Loop Detector Control Kit.....	40
Outdoor IP Camera – Day/Night	41
Intercom Systems	42
Parts Lists.....	43
FB1200.....	43
NexWeigh	44
FB7100.....	46
ACC 165 & ACC 3300	49
FB7200.....	50
FB2560.....	53
FB4000.....	58

The prices and product information in this catalog are for reference only.

Please check the Fairbanks Nexus online catalog system for the most up to date information.



Fairbanks Industrial Instrument Comparison

FAIRBANKS INDUSTRIAL INSTRUMENTS COMPARISON

FEATURE		FB1200	FB2250	FB2255	NexWeigh
DISPLAY:	SIZE	2"	1"	1"	1¼"
	DIGITS	6	7	7	6
	DISPLAY TYPE:	INVERTED LCD	GREEN LCD	GREEN LCD	AMBER LED
ENCLOSURE TYPES:		RESIN ALLOY STAINLESS STEEL	ABS STAINLESS STEEL	ABS STAINLESS STEEL	STAINLESS STEEL
ENCLOSURE RATINGS:		NEMA 4 NEMA 4X	NEMA 1, NEMA 4X & IP69K	NEMA 1, NEMA 4X & IP69K	NEMA 4X IP69K
CAPACITY		0 TO 999,999	0 TO 999,999	0 TO 999,999	0 TO 999,999
GRADUATION SIZE		0.0001 TO 100	0.0001 TO 50	0.0001 TO 50	0.0001 TO 50
POWER:	POWER REQUIREMENTS	AC/DC/BATTERY	AC/BATTERY	AC/BATTERY	AC
	POWER SPECIFICATIONS	100VAC/240VAC	115VAC/220VAC	115VAC/220VAC	110VAC/220VAC
TIME AND DATE		SELECTABLE	AM/PM, MM/DD/YYYY	AM/PM, MM/DD/YYYY	AM/PM, MM/DD/YYYY
UNITS:	STANDARD	LB, KG, OZ, G, LB-OZ, t, T	LB, KG, OZ, G, LB-OZ	LB, KG, OZ, G, LB-OZ	LB, KG, OZ, G, LB-OZ
	CUSTOM	✓	✓	✓	✓
# OF LOAD CELLS		(8) 350Ω or (16) 1,000Ω	(8) 350Ω or (16) 1,000Ω	(8) 350Ω or (16) 1,000Ω	(4) 350Ω or (8) 1,000Ω
CUSTOM FORMATTING FOR TICKETS/LABELS		✓	✓	✓	✗
REMOTE SWITCH INPUT		(2) SELECTABLE	5	5	3
PUSH BUTTON KEY		7	6	21	11
FULL NUMERIC KEYPAD		✗	✗	✓	✗
SLEEP MODE		✓	✓	✓	✗
OUTPUTS:	# OF OUTPUTS	COM1/COM2	COM1/COM2	COM1/COM2	COM1/COM2
	DIGITAL (RELAY) OUTPUTS	2	✗	✗	✗
	AVAIL. ACCESSORY ETHERNET TCP/IP	✗	✓	✓	✓
	20mA - Serial	1	1	1	✗
	AVAIL. ACCESSORY 4-20mA	✗	✓	✓	✓
	RS232	2	2	2	1
	RS485	1	2	2	1
	AVAIL. ACCESSORY- PLC INTERFACE	✗	✓	✓	✗
	CONFIG. SERIAL OUTPUT	✓	✓	✓	✗
	SET POINTS	2	✗	✗	✗
MODES OF OPERATION:	ACCUMULATION	✓	✓	✓	✓
	PIECE COUNT	✓	✓	✓	✗
	STRESS TEST/PEAK HOLD	✓	✓	✓	✓
	CHECKWEIGHING	BASIC/HIGH/OK/LOW	✗	✗	FULL
	LIVESTOCK FILTER	✓	✓	✓	✗
	REMOTE DISPLAY MODE	✓	✓	✓	✗
	AUTO TARE	✓	✓	✓	✗
	AUTO PRINT	✓	✓	✓	✓
	MULTI-POINT CALIBRATION	✓	✓	✓	✓
	PC/WEB UTILITY/VIEWER	✓	✓	✓	✗
CONNECTS TO VIEWER UTILITY WITHOUT OPENING INSTRUMENT	✓	✗	✗	✗	
APPROVALS:		NTEP / MC	NTEP / MC	NTEP / MC	NTEP / MC



Fairbanks Heavy Capacity Instrument Comparison

How does the new FB7200 fit into the Fairbanks Heavy Capacity lineup? (See page 10 for more information)

Fairbanks Heavy Capacity Instrument Comparison				
	FB7100	FB6015	FB7200	FB2560
Touchscreen Size	5"	16 Segment	7"	7"
Maximum Scales	1	1	2	8
Character Height	5/8"	0.8"	7/8"	3/8"
Programmable Prompts	1	1	3	10
Product & Customer Tables	No	No	Yes (Importable)	Yes
Tares	1,000	1,000	1,000	500,000
Products	1,000		1,000	250,000
Customers	1,000		1,000	250,000
Stored Tares	100,000	100,000	10,000	1,000,000
GTN & Inbound/Outbound	Yes	Yes	Yes	Yes
Basic In/Out	Yes	Yes	Yes	No
Axlematic	No	No	No	Yes
DAT Mode	No	No	No	Yes
Automated Transaction Emails	No	No	No	Yes
Automated Error Report Emails	No	No	No	Yes
Embedded Web Server	Yes	Yes	Yes	Yes
Networkable	No	No	No	Yes
Setpoint Modes	Fill Up to 1 Setpoint	Fill/Batch Checkweigh Freerunning Up to 8 Setpoints	Fill/Batch Checkweigh Freerunning Up to 8 Setpoints	No
Ethernet TCP/IP	1	1	1	1
RS-232	2	3	2	3
20 mA	1	1	1	1
IP Camera Interface	No	No	No	2
Expansion Slots	1	4	3	4 or 8 configurable
PLC Interface Options	TCP/IP, Ethernet/IP, DeviceNet, Modbus TCP	TCP/IP, Ethernet/IP, Profibus, ControlNET, DeviceNet, Modbus RTU	TCP/IP, Ethernet/IP, DeviceNet, Modbus TCP	TCP/IP, Ethernet/IP, Profibus, ControlNET, DeviceNet, Modbus TCP, Modbus RTU
List Price Comparison (as of 12/22)	\$1,304.00	\$2,270.00	\$1,590.00	\$2,463.00

FB1150 Instrument

FB1500 Series Instrument

Enclosure: Stainless Steel - NEMA 4X

The FB1150 prioritizes accuracy, durability, and visibility for most common applications that perform Gross, Tare, Net weighments. Assembled at our factory in St. Johnsbury, Vermont, the FB1150 is a commercial grade instrument rated for up to 10,000 divisions commercial or 50,000 divisions for non commercial. Print simple transaction tickets, transmit the data to a computer, or act as a remote display for compatible Fairbanks instruments using the included RS-232 serial port.



EASE OF OPERATION - A no-nonsense commercial grade instrument that only includes the operations you need at a competitive price.

DURABLE CONSTRUCTION - Built from durable NEMA 4X 304 stainless steel, the FB1150's enclosure makes it ideal for dry to moderate washdown applications while defending against corrosion damage.

ANY LIGHTING CONDITION - The FB1150 features an adjustable backlight with seven color options, ensuring optimal screen contrast in any lighting environment.

REDUCES USER EYE STRAIN - 2" tall crisp LCD display digits help to reduce long term user eye fatigue.

UNIVERSAL PAIRING OPTIONS - Pairs seamlessly with Fairbanks' bench or floor scales for exceptional durability and precision. It also connects to all analog load cell-based scales.

Specifications:



Display	LCD with 2" Tall Digits	Excitation Voltage	5 V
Backlight	7 Color, Adjustable from Setup Menu	Load Cells	Up to eight (8) Load Cells (350 Ohm or 1000 Ohm)
Units	Lb, KG, Ton, Tonne, Oz, G	Power Requirements	100 to 250 VAC or 12VDC
Division Size	0.0001 – 100	Outputs	(1): Bi-Directional RS232
Accuracy	10,000 Divisions Commercial	User Interface	5 Key (Front Panel)
Accuracy Class	Class III / IIII	Enclosure	304 Stainless, NEMA 4X
Capacity	999,999	Mounting	Desk / Wall mount stand

FB1150 Series Instrument

Product #	Description	Enclosure Type	Enclosure Rating	Weight	List Price
39410	FB1150 Stainless Steel Instrument	Stainless Steel	NEMA 4X	5 lbs.	\$599.00



FB1200 Instruments

FB1200 Series Instrument		Enclosures: Black Resin Alloy (NEMA 4) & Stainless Steel - NEMA 4X	
<p>Durable instrument for basic industrial weighing applications with analog floor scales, bench scales, livestock scales, and weighing assemblies. NTEP approved and available in a NEMA 4X or NEMA 4 enclosure. The FB1200 is a flexible, economical solution for basic industrial weighing applications. With a range of features and multiple communication options, the FB1200 can fulfill a variety of customer needs at a highly competitive price. Among basic instruments on today's market, the FB1200 is unique in that it has a number of "beyond basic" functions and features, including digital inputs and outputs that simplify its integration with other aspects of an operation, such as a PLC.</p>			
	<p>Enclosure Types:</p> <p>Stainless Steel, NEMA 4X →</p> <p>← Resin Alloy, NEMA 4</p>		
Features & Options			
2.0" LCD backlit 9-segment, 6-digit display	Weighs in lbs, kg, ton, tonnes, g, oz, lb/oz & custom options	Two (2) com ports	
Choice of AC, DC or Battery	Desk/Wall mount stand included	Up to eight (8) load cells at 350Ω	
NTEP & MC Approved	Remote Display Mode	Viewer Utility	
Included Functions:			
Three (3) zone checkweighing	Piece Counting	Accumulation	Peak Hold
			Livestock Filter
Customization Options:			
Custom Ticket Format	Custom Units	Programmable RS232 Output	Multi-Point Calibration
Applications: Basic analog bench and floor scale manufacturing and logistics applications			

Specifications:			
Display	9-Segment, 6-digit white LCD, Backlit	Excitation Voltage	5 VDC
Character Size	2"	Load Cells	Up to eight (8) 350 Ohm or (16) 1000 Ohm
Push-button Keys	On/Off, Units, Zero, B/G/Net, Tare, Print, Function	Power Requirements	100 to 130 VAC or 200 to 260 VAC 50/60Hz
Enclosures	Polycarbonate/ABS Resin Alloy (NEMA 4) or Stainless Steel (NEMA 4X)	Outputs	Com 1: RS232 or transmit-only 20mA Com 2: RS232 or transmit-only RS485
Units	lbs, kg, ton, tonnes, g, oz, lb/oz, custom	Digital Outputs	Two (2) free running setpoints
Graduation Size	Selectable, 0.0001 – 100	Remote Switch Inputs	Two (2) configurable
Filters	Off, Low, Medium, High, Very High	Mounting	Desk / Wall mount stand

FB1200 Series Instruments

Product #	Description	Enclosure Type	Enclosure Rating	Weight	List Price
38041	FB1200 RESIN ALLOY ENCLOSURE, AC POWERED	Resin Alloy	NEMA 4	15 lbs.	\$657.00
38009	FB1200 STAINLESS STEEL ENCLOSURE, AC POWERED	Stainless Steel	NEMA 4X	15 lbs.	\$877.00

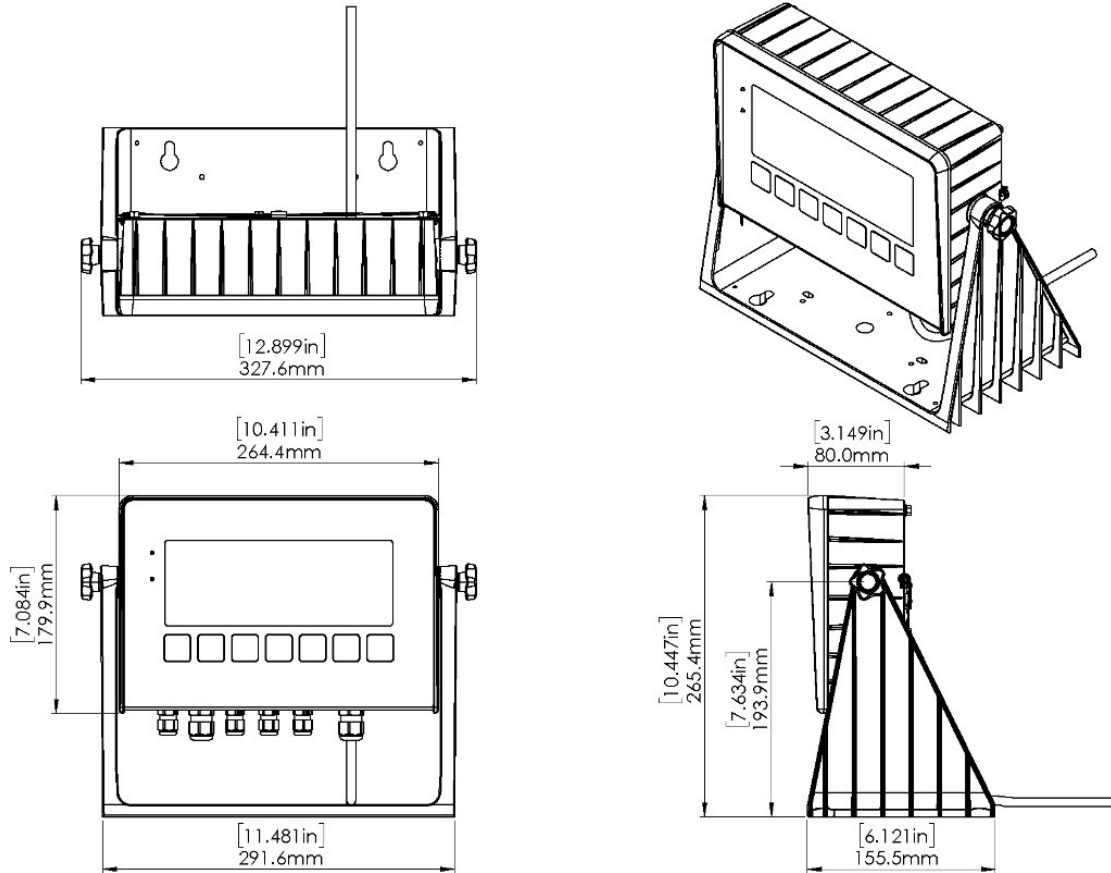
FB1200 Series Accessories

Product #	Description	Cable Length	Weight	List Price
38081	TECH-LYNK USB CABLE FOR FB1200	80"	2 lbs.	\$66.00
38047	FB1200 BATTERY MODULE		2 lbs.	\$218.00

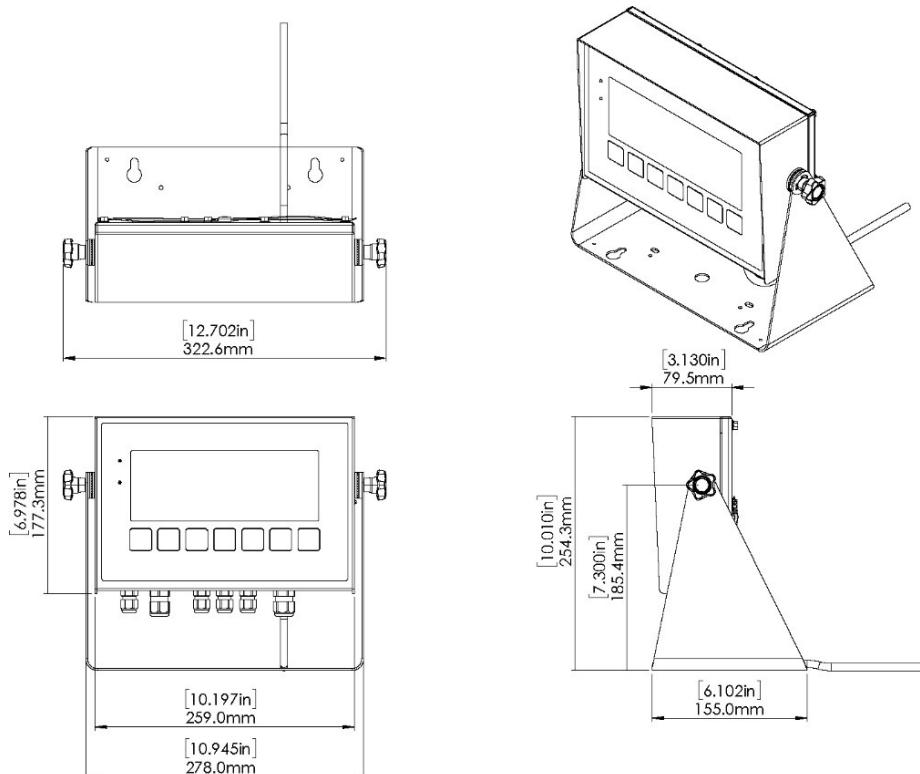


FB1200 Enclosure Measurements

Resin Alloy NEMA 4 Enclosure



Stainless Steel NEMA 4X Enclosure



NexWeigh Instrument

NexWeigh

Enclosures: 304 SS & SS w/ IP69K

The NexWeigh is Fairbanks Scales new stainless steel, NEMA 4X multi-function instrument. This instrument offers a wide variety of applications including, floor scales, tank scales, bench scales, hopper scales and checkweighing.

Enclosure Type: 304 Stainless Steel (NEMA 4X)

Designed for dry to moderate wash-down applications including:

- Checkweighing
- Food / Beverage
- Stress Analysis
- Manual Batching
- System Integration
- Chemical



Enclosure Type: 304 Stainless Steel with IP69K rating

- Designed for heavy wash-down applications including:
- Heavy wash-down
- Food Processing
- Batching
- System Integration
- Process Control
- Filling

Sanitary Features:

- No product or liquid collection points
- Can be cleaned to a microbial level
- Special overlay resists punctures and abrasive cleaning agents
- Stainless Steel construction
- Fairbanks and Ecolab worked together to create a defined cleaning protocol

Features & Options

Four programmable checkweigh ranges	Peak Hold feature	Seven selectable LED intensity settings
Multi-point calibration	Three remote switches	Large 1.25", seven segment display
Units include lb, oz, kg, g & lb/oz	Accumulation or auto-accumulation	Print or auto-print
RS232 & RS485 standard outputs	Desk or wall mount stand	Multiple pillar options

Applications: A versatile instrument that exceeds the food and chemical industries' needs for sanitary checkweighing electronics in high-pressure, high-temperature wash-down environments

NexWeigh SPECIFICATIONS:

Display	1.25" amber LED, 7-segment, 6-character, selectable intensity	Excitation Voltage	5 VDC
Push-Button Keys	11 Keys - Units, Zero, B/G Net, Tare, Print, 4 Programmable Over/Under, Program/Enter, Checkweigh/Next	Enclosure	Two (2) enclosures in 304 Stainless Steel: - NEMA 4X & IP69K
Remote Switch Inputs	Zero, Print, Tare	Load Cells	Up to four (4) 350 Ohm or eight (8) 1000 Ohm
Power Requirements	110 VAC or 220 VAC, 50-60 Hz	Units	lbs, oz, kg, g, lb/oz & custom
Graduation Size	Selectable, 0.0001 - 50	Mounting	Desk/Wall mount Stand
Filters	Standard bands and Flush Filter settings provide 64 vibration suppressing combinations	Approvals	NTEP CC# 09-024 / MC # AM-5725



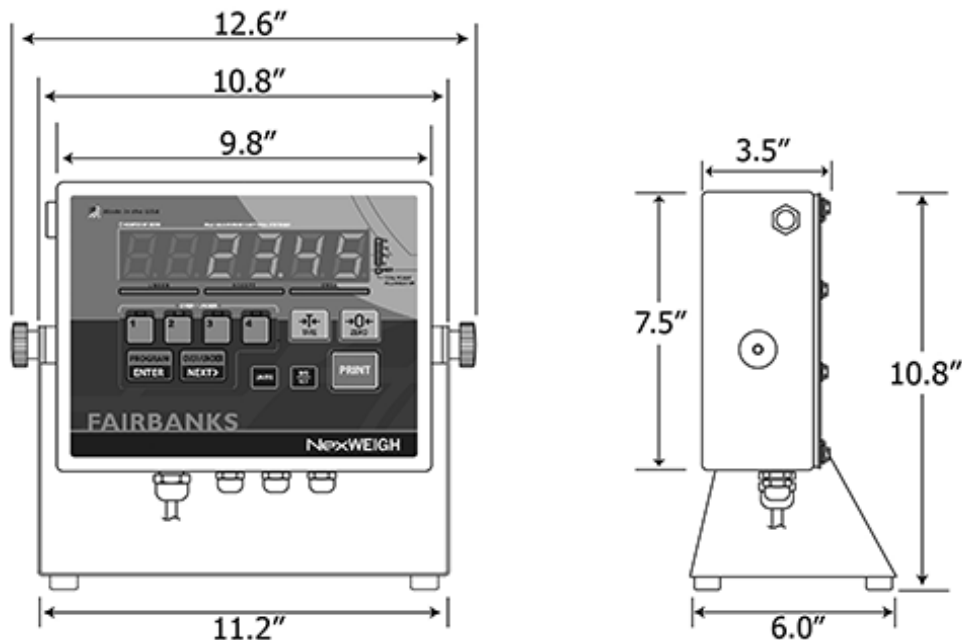
NexWeigh Pricing

NexWeigh Instruments			
Product #	Description	Weight	List Price
29757	NEXWEIGH INSTRUMENT WITH NEMA 4X ENCLOSURE	15 lbs.	\$1,453.00
29937	NEXWEIGH INSTRUMENT WITH NEMA 4X ENCLOSURE W/ ETHERNET SERVER	15 lbs.	\$2,233.00
29758	NEXWEIGH INSTRUMENT WITH IP69K ENCLOSURE	15 lbs.	\$1,621.00
30718	NEXWEIGH INSTRUMENT WITH IP69K ENCLOSURE W/ ETHERNET SERVER	15 lbs.	\$2,670.00
27725	NEXWEIGH INSTRUMENT WITH NEMA 4X ENCLOSURE (NO STAND - FOR USE ON QS PILLAR)	15 lbs.	\$1,370.00
31530	NEXWEIGH INSTRUMENT WITH NEMA 4X ENCLOSURE W/ ETHERNET SERVER (NO STAND - FOR USE ON QS PILLAR)	16 lbs.	\$2,151.00
28985	NEXWEIGH INSTRUMENT WITH IP69K ENCLOSURE (NO STAND - FOR USE ON QS PILLAR)	15 lbs.	\$1,538.00
NexWeigh Accessories			
Product #	Description		List Price
28685	4-20 mA ANALOG OUTPUT MODULE		\$213.00
26041	10' RS232 INTERFACE CABLE		\$114.00
29560	24-VDC EXT POWER SUPPLY		\$103.00

Note:

NexWeigh with Ethernet Server option

- Factory installed Ethernet TCP/IP output
 - ~20' CAT 5e ethernet cable
- Includes external set-up software for TCP/IP connection
- **NO RS232 OUTPUT**



FB6005/15 Instrument

FB6005/15 Instruments

Enclosures: Desktop, Panel & Rack Mount



The FB6005/15 instruments are the latest instruments in Fairbanks FB6000 family of instruments. The FB6015/16/17 and FB6045 are available with Fairbanks exclusive Intalogix Technology, the industry leading load cell communication and diagnostic technology. It is also available as a traditional analog instrument, model FB6005. The FB6015 is packaged in a stainless steel washdown enclosure for desk or wall mounting. The FB6005/15 features three weighing modes of operation, and also offers optional setpoint relay controls. Up to eight (8) relays with five (5) modes of operation are available. The FB6005/15 also provides multiple serial ports, USB ports and an on board 802.3 ethernet port to meet your application requirements.

Specifications:

Processor	1 GHz Quad Core	Display	Bright Red, 16-segment LD with Adjustable Intensity
Number of Scales	One (1)	Keypad	Oversized keys: 0-9, Decimal Point, Enter, 11 Control Keys, Start, Trim, Stop
Memory	1 GB	Load Cells	Maximum ten (10) 350 Ohm cells or sixteen (16) 1000 Ohm cells
On-Board Storage	2 GB	Outputs	Three (3) RS232 ports, Two (2) USB ports, One (1) RS422/RS485 port, One (1) dedicated optically isolated 20mA, One (1) FJ-45 IEEE 10/100 Base-T Ethernet TCP/IP port
Units	lbs, kg, ton, tonnes, g & oz	Operating Mode	Inbound/Outbound, Basic In/Out, GTN, Five (5) Set Point Modes
Excitation Voltage	5 VDC	Power Requirements	100 to 130 VAC or 200 to 260 VAC 50/60 Hz
Relay Box Interface	Dedicated for ACC 165	Clock	Real time clock, 12-hour a.m./p.m., Date (month/day/year)
Traffic Light Interface	Dedicated for ACC 777	Display Resolution	10,000 divisions commercial; 50,000 divisions non-commercial
Displayed Characters	0.8" tall	Capacity	Programmable to 999,999
Stored Tares	1,000	Displayed Units	6 primary and 6 secondary
Transaction Records	100,000	Accuracy	Class III/IIIL
Humidity	0 to 90%		


FB6005/15 Series Instruments

Product #	Description	Analog or Intalogix	Enclosure Type	Enclosure Rating	Weight	List Price
35052	FB6005 ANALOG DESKTOP INSTRUMENT	ANALOG	DESKTOP	NEMA 4X	15 lbs.	\$2,325.00
36088	FB6006 ANALOG PANELMOUNT INST	ANALOG	PANEL MOUNT	NEMA 4X	15 lbs.	\$2,159.00
36091	FB6007 RACK MOUNT ANALOG INSTR	ANALOG	RACK MOUNT	NEMA 4X	15 lbs.	\$2,040.00
36199	FB6015 INSTRUMENT W/INTALOGIX	INTALOGIX	DESKTOP	NEMA 4X	15 lbs.	\$2,491.00
36200	FB6016 INTALOGIX PANELMNT INST	INTALOGIX	PANEL MOUNT	NEMA 4X	15 lbs.	\$2,321.00
36201	FB6017 RACKMOUNT INST W/INTLGX	INTALOGIX	RACK MOUNT	NEMA 4X	15 lbs.	\$2,201.00
38216	FB6045 Instrument for QLC	QLC	DESKTOP	NEMA 4X	15 lbs.	\$2,491.00



FB7000 Series Instruments

FB7100 Series Instruments

FB7100 Series Instruments		Enclosures: Desktop & Washdown
	<p>The FB7100 Series is Fairbanks standard mid-range instrument, specifically designed for vehicle weighing. The FB7111 and the FB7121 are equipped with Fairbanks exclusive Intalogix Technology for unmatched diagnostic and accuracy. An analog version is also available listed as the FB7101. The FB7111 runs in one of three standard operating modes through the 5", full-color, graphic touchscreen display. The enclosure features two USB ports and an Ethernet TCP/IP port, with the internal board containing two RS232 ports, a 20mA remote display interface, four remote switch inputs, and an ACC 165 Relay Box interface. Through the ACC 165, the FB7111 can control a single relay with a simple setpoint operation, perfect for single-material filling. A single accessory card slot is available for further modification to meet customer applications. The FB7111, FB7121 and FB7101 are housed in a compact aluminum and stainless-steel enclosure, perfect for desktop applications in offices or scale houses.</p>	

Specifications:

Processor	900 MHz	Memory	512 MB RAM & 512 MB Flash
Number of Scales	One(1)	Display	TFT LCD with LED backlight, Full color graphic with touch
Excitation Voltage	5 VDC	Load Cells	Maximum ten (10) 350 Ohm cells or sixteen (16) 1000 Ohm cells
Units	lbs, kg, ton, tonnes, g, oz	Outputs	Two (2) RS232 ports, Two (2) USB ports, One (1) dedicated optically isolated 20mA, one (1) RJ45 10/100 Base-T Ethernet Port
Displayed Characters	5/8" tall	Relay Box Interface	Dedicated for ACC 165
Programmable Prompts	One(1)	Traffic Light Interface	20mA port controlling 1605T Remote Display
Power Requirements	100 to 130 VAC or 200 to 260 VAC 50/60 Hz	Operating Modes	Inbound/Outbound, Basic In/Out, GTN, One (1) Set Point Mode
Stored Tares	1,000	Remote Switch Inputs	Four (4) Configurable Remote Switch Inputs
Transaction Records	10,00	Clock	Real time clock, 12-hour a.m./p.m., Date (month/day/year)
Humidity	0 to 90%	Display Resolution	10,000 divisions commercial; 50,000 divisions non-commercial
Capacity	Programmable to 999,999	Displayed Units	6 primary and 6 secondary
Accuracy	Class III/IIIL		

FB7100 Series Instruments

Product #	Description	Analog or Intalogix	Enclosure Type	Enclosure Rating	Weight	List Price
37440	FB7101 ANALOG DESKTOP INSTRMNT	ANALOG	DESKTOP	NEMA 12	8 lbs.	\$1,561.00
37466	FB7102 ANALOG NEMA 4X INSTMNT	ANALOG	DESK/WALL MOUNT	NEMA 4X	15 lbs.	\$2,017.00
37441	FB7111 INTALOGIX DESKTOP INST	INTALOGIX	DESKTOP	NEMA 12	8 lbs.	\$1,431.00
37467	FB7112 INTALOGIX NEMA 4X INST	INTALOGIX	DESK/WALL MOUNT	NEMA 4X	15 lbs.	\$1,970.00
37442	FB7121 Desktop Instrument for QLC	QLC	DESKTOP	NEMA 12	8 lbs.	\$1,431.00
37468	FB7122 NEMA 4X Instrument for QLC	QLC	DESK/WALL MOUNT	NEMA 4X	15 lbs.	\$1,970.00



FB7100 Accessories & Notes:

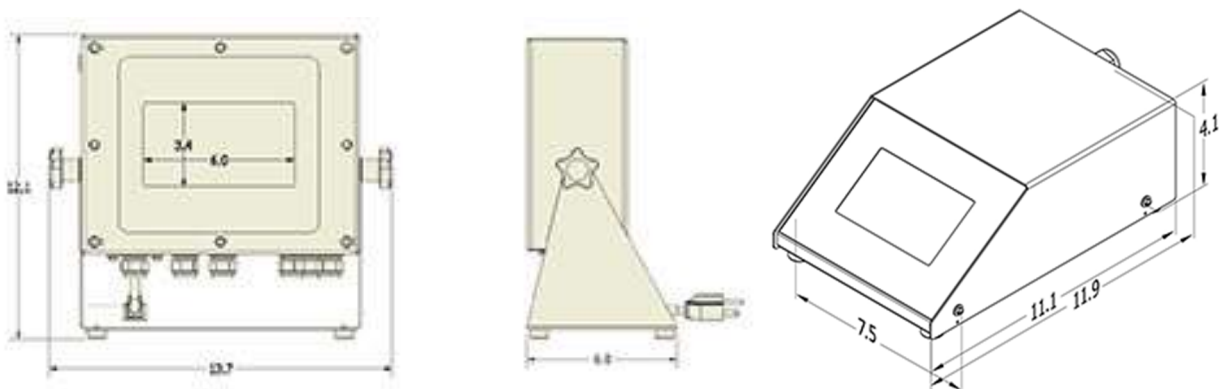
Notes:

FB7101 Analog Instrument - Desktop model <ul style="list-style-type: none"> Analog load cell interface included. Note: Requires ACC 529 (14478) SVP. Note: Only (1) Accessory card per FB7100. 	FB7111 with Intalogix Technology - Desktop model <ul style="list-style-type: none"> Intalogix load cell interface included. Scale must be equipped with SSCs and PPS. Note: Only (1) Accessory cards per FB7111.
FB7102 Analog Instrument - Washdown Desk/Wall Mount model <ul style="list-style-type: none"> Analog load cell interface included. Note: Requires ACC 529 (14478) SVP. Note: Only (1) Accessory card per FB7100. Note: Not intended for outdoor use. 	FB7112 with Intalogix Technology - Washdown Desk/Wall Mount model <ul style="list-style-type: none"> Intalogix load cell interface included. Scale must be equipped with SSCs and PPS. Note: Only (1) Accessory cards per FB7112. Note: Not intended for outdoor use.

FB7100 Series Accessories

Product #	Description	Weight	List Price	Product #	Description	Weight	List Price
21912	ANALOG SECTIONAL CONTROLLER BOX FOR 2 CELLS - STAINLESS STEEL	5 lbs.	\$467.00	55010	GROUND ROD KIT (DUAL)	40 lbs.	\$280.49
15387	SVP KIT, 591 ACCESSORY, LOAD CELL & AC POWER SURGE PROTECTION	8 lbs.	\$373.00	23143	SURGE PROTECTOR 789 ACC FOR 4 OUTLET - 120 VAC INPUT	3 lbs.	\$125.00
14478	SVP-529 ACC LOAD CELL OR INSTRUMENT SVP ONLY	3 lbs.	\$277.00	23144	SURGE PROTECTOR 799 ACC FOR 220 VAC INPUT	3 lbs.	\$125.00
30920	RELAY-I/O INTERFACE CARD KIT	2 lbs.	\$357.00	16163	2018 ACCESSORY RELAY BOX FOR CONTROLLING ONE-WAY TRAFFIC	8 lbs.	\$622.00
26041	10' RS232 INTERFACE CABLE	3 lbs.	\$114.00	13170	703 Series relay box (dry contact)	14 lbs.	\$720.00
30919	4-20mA-(PASSIVE) KIT	2 lbs.	\$328.00	30006	MANUAL TRAFFIC LIGHT CONTROL BOX 120 VAC - FOR USE WITH 1605T OR ACC777 TRAFFIC LIGHT ONLY (FOR 220, ADD STEP-DOWN TRANSFORMER 93740)	14 lbs.	\$627.00
33258	4-20mA (ACTIVE) KIT	2 lbs.	\$328.00	11340	700 ACCESSORY, MANUAL TRAFFIC LIGHT BOX (NOT FOR USE WITH 1605T OR ACC 777 TRAFFIC LIGHTS ONLY)	14 lbs.	\$644.00
35784	ENHANCED ANALOG OUTPUT CARD	2 lbs.	Check Availability/Price	36238	SHORT HAUL MODEM,ACC-2100	10 lbs.	\$473.00
35278	RELAY BOX-FB60X5 & FB7100	5 lbs.	\$681.00	32023	RF MODEMS, SET OF 2, RS232	5 lbs.	\$656.00
37044	DEVICENET PLC INTERFACE	2 lbs.	\$728.00	38124	WIRELESS ETHERNET BRIDGE/ACCESS POINT - DISCONTINUED *USE PN 38914*	3 lbs.	\$661.00
37045	ETHERNET/IP PLC INTERFACE	2 lbs.	\$728.00	30921	SERIAL EXPANSION PCB ASSY KIT	2 lbs.	\$328.00
37720	MODBUS-TCP PLC INTERFACE	2 lbs.	\$1,075.00	36234	PASSTHROUGH GLAND ACC 167	1 lbs.	\$23.00
37432	713 Series relay box (dry contact)	3 lbs.	\$311.00	36240	ETHERNET CONNECTOR KIT ACC 168	1 lbs.	\$80.00
15892	CS 500 UPS with SVP	32 lbs.	\$346.00	36241	USB CONNECTOR KIT ACC 169	1 lbs.	\$68.00
55011	GROUND ROD KIT (SINGLE)	30 lbs.	\$123.00				

Dimensions:



FB7200 Instrument

FB7200 SERIES INSTRUMENT



Fairbanks is happy to announce the launch of the FB7200 series instruments designed for vehicle scale and select industrial applications. Analog and Intalogix models will begin shipping on January 3rd. The FB7200 is the second instrument launched as part of the NextGen Instrumentation Program and builds upon all the familiar features included in the FB7100 series instruments.

Easily configured touchscreen weighing instrument with setpoint controls for truck and rail car filling. Track inventory, record transactions by customer, and operate up to two scales from a single instrument.

SPECIFICATIONS:

Processor	900 MHz	Memory	512 MB RAM and 512 MB Flash
Number of Scales	Two (2)*	Displayed Characters	7/8" tall
Excitation Voltage	5 VDC	Programmable Prompts	Three (3)
Units	lbs, kg, ton, tonnes, g, oz	Clock	Real time clock, 12-hour a.m./p.m., Date (month/day/year)
Display Resolution	10,000 divisions commercial; 50,000 divisions non-commercial	Display Dimensions	6.0" x 3.4", 7" diagonal, 800 x 480 resolution
Capacity	Programmable to 999,999	Displayed Units	6 primary and 6 secondary
Display	TFT LCD with LED backlight, full color graphic with touch	Load Cells	Maximum ten (10) 350 Ohm or sixteen (16) 1000 Ohm cells
Outputs	Two (2) RS232 ports, two (2) USB ports, One (1) dedicated optically isolated 20mA, One (1) RJ45 10/100 Base-T Ethernet Port	Stored Tares	1,000 stored records
		Product Files	1,000 stored records
		Customer Files	1,000 stored records
		Transaction Records	10,000 stored records
Print Functions	Inverted and non-inverted tickets (printer dependent)	Relay Box Interface	Dedicated for ACC 165
Operating Mode	Inbound/Outbound, Basic In/Out, GTN, Five (5) Setpoint Modes	Traffic Light Interface	20 mA port controlling 1605T Remote Display
Setpoint Mode	Setpoint, Batch, Autobatch, Autobatch Repeat, Checkweigh	Accuracy	III/IIIL
Remote Switch Inputs	Four (4) Configurable Remote Switch Inputs	Accuracy Class	III/IIIL
Power Requirements	100 to 130 VAC or 200 to 260 VAC 50/60 Hz	Approvals	CC# 19-146 MC# AM-6141C

Key Features: (in addition to all FB7100 features)

- Large 7" color touchscreen with intuitive navigation & menu structure.
- Operate two scales from a single instrument.
- Track product inventory with seamless operator integration.
- Record transactions by customer with seamless operator integration.
- (3) batching modes for net "gain-in-weight" applications.
- Enhance manual filling operations with ClearView Checkweighing.
- Remotely connect to the instrument from your computer to import new products and customers, manage inventory levels, download reports, and troubleshoot a scale. *
- (3) expansion slots for optional I/O cards.

*The FB7200 instrument and smart device (PC, tablet, phone) must be connected to the same local area network.



FB7200 Pricing & Information

FB7200 Series Instruments						
Product #	Description	Analog or Intalogix	Enclosure Type	Enclosure Rating	Weight	List Price
37535	FB7201 - DESKTOP, ANALOG INSTRUMENT	Analog	Desktop	NEMA 12	10 lbs.	\$1,702.00
37536	FB7211 - DESKTOP, INTALOGIX INSTRUMENT	Intalogix	Desktop	NEMA 12	10 lbs.	\$1,662.00
37538	FB7202 - WASHDOWN, ANALOG INSTRUMENT	Analog	Desk/Wall Mount	NEMA 4X	15 lbs.	\$2,215.00
37539	FB7212 - WASHDOWN, INTALOGIX INSTRUMENT	Intalogix	Desk/Wall Mount	NEMA 4X	15 lbs.	\$2,179.00
37541	FB7203 - PANEL MOUNT, ANALOG INSTRUMENT	Analog	Panel Mount	NEMA 4X	10 lbs.	\$1,792.00
37542	FB7213 - PANEL MOUNT, INTALOGIX INSTRUMENT	Intalogix	Panel Mount	NEMA 4X	10 lbs.	\$1,756.00
37537	FB7221 - DESKTOP, QLC INSTRUMENT	QLC	Desktop	NEMA 12	10 lbs.	\$1,662.00
37540	FB7222 - WASHDOWN, QLC INSTRUMENT	QLC	Desk/Wall Mount	NEMA 4X	15 lbs.	\$2,179.00
37543	FB7223 - PANEL MOUNT, QLC INSTRUMENT	QLC	Panel Mount	NEMA 4X	10 lbs.	\$1,756.00

Add 31079 Internal Analog Interface to obtain second analog scale control

31079	INTERNAL ANALOG LOADCELL INTRF	Internal	1	Field Installed	2 lbs.	\$357.00
-------	--------------------------------	----------	---	-----------------	--------	----------

Notes: (Analog)	Notes: (Intalogix)
<p>FB7200 Analog Instrument</p> <ul style="list-style-type: none"> Analog load cell interface for Scale 1 is included. Add 31079 Internal Analog Interface to obtain second analog scale control. Note: Requires ACC 529 (14478) load cell SVP. Note: Maximum of three (3) Accessory card per FB7200. 	<p>FB7200 with Intalogix Technology</p> <ul style="list-style-type: none"> Intalogix load cell interface included. Scale must be equipped with SSCs and PPS. Note: Maximum of three (3) Accessory cards per FB7200. Note: Not intended for outdoor use.

Support Material:	
<ul style="list-style-type: none"> Service Manual - 51573 Operator's Manual - 51574 Accessory Selection Guide - 51618 	<ul style="list-style-type: none"> Batch Quick Reference Guide - 51601 AutoBatch Quick Reference Guide - 51602 AutoRepeat Quick Reference Guide - 51600 Checkweigh Quick Reference Guide - 51607

KEY BENEFITS	PRECISION FILLING
<ul style="list-style-type: none"> Intuitive user interface enables fast operator training. Easily configure and modify setpoint modes without a computer programmer or integrator. Record and track who and what is being weighed with importable product and customer tables. Export scale reports by customer or product through a web browser. Store up to 1,000 products, customers, and tares, and up to 10,000 transactions. 	<p>Three net filling modes designed to integrate into new or existing production processes.</p> <p>Configure, operate, train new operators, and redeploy to new production lines with ease. An intuitively designed color touchscreen interface with plain text menus to ensure efficient operation for both operators and supervisors.</p> <p>Operate up to eight (8) setpoints with configurable options for interlocks, inhibits, preact, dribble, discharge, delays, zero band, high-speed digital filtering, and more</p>
PRODUCT & CUSTOMER RECORD KEEPING	DATA & CONNECTIVITY
<p>Monitor product inventory and track customer transactions through the touchscreen interface.</p>	<p>Remotely connect to the FB7200 using an Internet browser to view transactions, generate and download reports, import new products and customers, modify instrument settings, and run scale diagnostics</p>

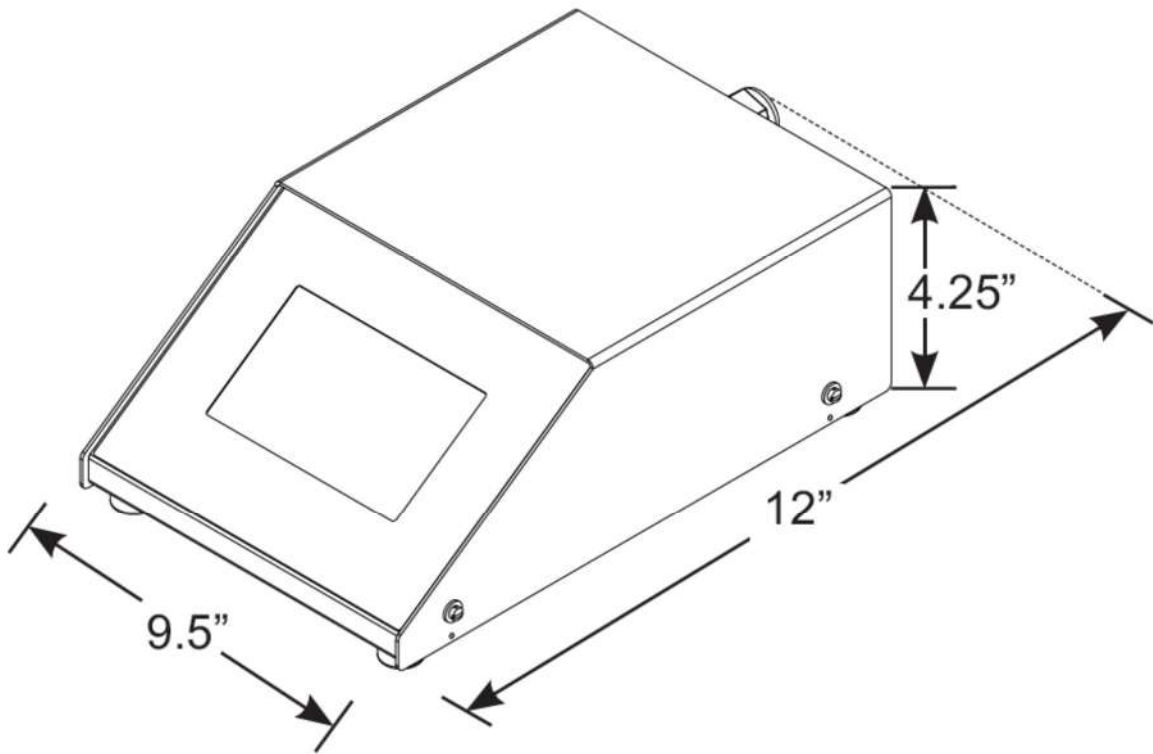


FB7200 Accessories

FB7200 Series Accessories			
Product #	Description	Weight	List Price
30919	4-20mA-(PASSIVE) KIT	2 lbs.	\$328.00
33258	4-20mA (ACTIVE) KIT	2 lbs.	\$328.00
30921	SERIAL EXPANSION PCB ASSY KIT	2 lbs.	\$328.00
37044	DEVICENET PLC INTERFACE	2 lbs.	\$728.00
37045	ETHERNET/IP PLC INTERFACE	2 lbs.	\$728.00
37068	ENHANCED ANALOG OUTPUT (KIT)	2 lbs.	\$334.00
37720	MODBUS-TCP PLC INTERFACE	2 lbs.	\$1,075.00
11340	700 ACCESSORY, MANUAL TRAFFIC LIGHT BOX (NOT FOR USE WITH 1605T OR ACC 777 TRAFFIC LIGHTS ONLY)	14 lbs.	\$644.00
13170	703 Series relay box (dry contact)	14 lbs.	\$720.00
16163	2018 ACCESSORY RELAY BOX FOR CONTROLLING ONE-WAY TRAFFIC	8 lbs.	\$622.00
30006	MANUAL TRAFFIC LIGHT CONTROL BOX 120 VAC - FOR USE WITH 1605T OR ACC777 TRAFFIC LIGHT ONLY (FOR 220, ADD STEP-DOWN TRANSFORMER 93740)	14 lbs.	\$627.00
30920	RELAY-I/O INTERFACE CARD KIT	2 lbs.	\$357.00
35278	RELAY BOX-FB60X5 & FB7100	5 lbs.	\$681.00
37432	713 Series relay box (dry contact)	3 lbs.	\$311.00
32023	RF MODEMS, SET OF 2, RS232	5 lbs.	\$656.00
38914	WIRELESS ETHERNET BRIDGE/ACCESS (5 GHz, Up to 9.3 miles line-of-sight range, AC power required at each point, Multi-point compatible, 38914 is a single unit)	3 lbs.	\$712.00
14478	SVP-529 ACC LOAD CELL OR INSTRUMENT SVP ONLY	3 lbs.	\$277.00
15387	SVP KIT, 591 ACCESSORY, LOAD CELL & AC POWER SURGE PROTECTION	8 lbs.	\$373.00
15892	CS 500 UPS with SVP	32 lbs.	\$346.00
23143	SURGE PROTECTOR 789 ACC FOR 4 OUTLET - 120 VAC INPUT	3 lbs.	\$125.00
23144	SURGE PROTECTOR 799 ACC FOR 220 VAC INPUT	3 lbs.	\$125.00
55010	GROUND ROD KIT (DUAL)	40 lbs.	\$280.49
55011	GROUND ROD KIT (SINGLE)	30 lbs.	\$123.00
25498	MINI KEYBOARD (USB) - 87 KEY QWERTY	4 lbs.	\$78.00
27077	NEMA 4 KEYBOARD/MOUSE USB	5 lbs.	\$1,191.00
31036	USB KEYBOARD - 104 KEY - BLACK	5 lbs.	\$89.00
36234	PASSTHROUGH GLAND ACC 167	1 lbs.	\$23.00
36238	SHORT HAUL MODEM,ACC-2100	10 lbs.	\$473.00
36240	ETHERNET CONNECTOR KIT ACC 168	1 lbs.	\$80.00
36241	USB CONNECTOR KIT ACC 169	1 lbs.	\$68.00
26041	10' RS232 INTERFACE CABLE	3 lbs.	\$114.00
21912	ANALOG SECTIONAL CONTROLLER BOX FOR 2 CELLS - STAINLESS STEEL	5 lbs.	\$467.00

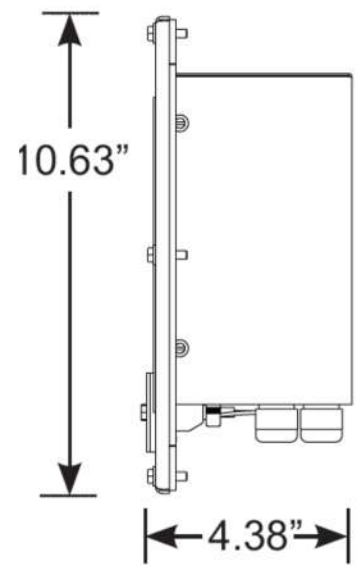
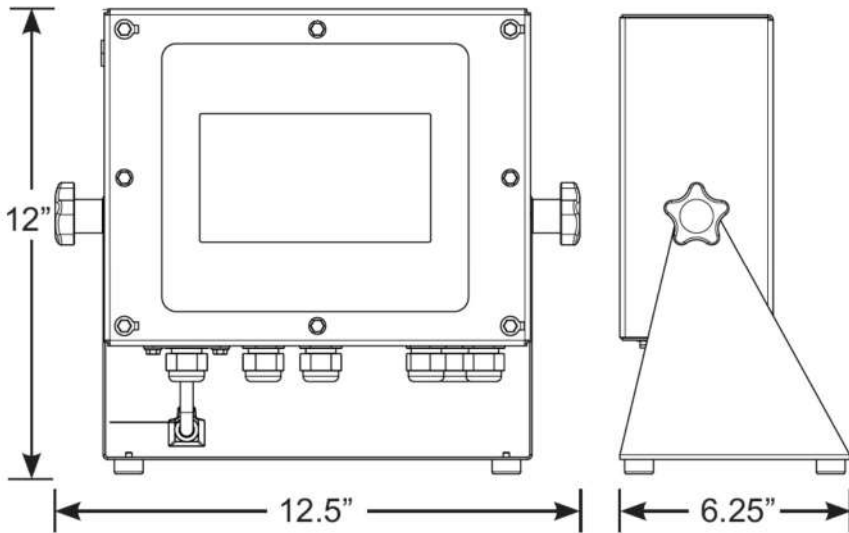
FB7200 Drawings & Dimensions

NEMA 12 Desktop Enclosure



NEMA 4X Washdown Enclosure

NEMA 4X
Panel Mount Enclosure
Width = 13.38"



FB2560 Instrument

FB2560 Series Instrument

Enclosures: Desktop, Washdown, Panel & Rack Mount

The FB2560 instrument offers notable and adaptable capabilities, providing more features, functionality, and connectivity for today's truck weighing applications. Standard features of the FB2560 include onscreen IP camera interface, full color touch screen display, ethernet connectivity and transaction reports via email. There is no other truck scale instrument like it anywhere else.



Enclosure Types:

- Desktop – Stainless Steel & Aluminum: NEMA 12
- Washdown – Stainless Steel: NEMA 4X
- Panel Mount – Stainless Steel
- Rack Mount – Stainless Steel & Aluminum: NEMA 12

Specifications:

Processor	1.8 GHz Quad Core	Power Requirements	100 – 240 VAC at 47 – 63 Hz
Memory	4 GB	Transaction Records	1,000,000 (10,000 with two images)
Displayed Characters	3/8" Tall	Display Resolutions	10,000 divisions commercial; 50,000 divisions non-commercial
On-Board Storage	8 GB MINI PCIe	Multiple Scales	One instrument can run up to 8 scales, maximum of 32 load cells per instrument
Capacity	Programmable to 999,999	Calibration & Configuration	Parameters can be configured locally at instrument, or remotely by means of an Ethernet connection and standard browser
Displayed Units	7 Primary and 7 Secondary	Display	TFT LCD with LED backlight; Full color graphic with active matrix, NOT for Outdoor use
Product Files	250,000	Display Dimensions	6.0" x 3.5", 7.0" diagonal, 800 x 480 resolution
Customer Files	250,000	Camera Interface	Onscreen – 2 cameras (switchable)
Stored Tares	500,000	Keypad	Oversized keys" 0-9, Decimal Point, Enter, 5 Function Keys, 8 Control Keys
Reports	Seven (7) on-board reports	Outputs	One (1) RJ-45 IEEE, 10/100/1000Base-T Ethernet TCP/IP port, Three (3) RS232C ports, One (1) RS232C / RS485* selectable, One (1) dedicated optically isolated 20mA
Accuracy	Class III/IIIL	USB Ports	Three (3) USB 2.0, One (1) USB 3.0, and one (1) port for a keyboard
Touch Screen	Standard	Clock	Real time clock, Day of the week; 12-hour AM/PM, Date (month/day/year)

FB2560 Instruments

Product #	Description	Enclosure	Rating	Humidity	Weight	List Price
36970	FB2560 INSTRUMENT DESKTOP	Desktop	NEMA 12	0 to 90%	25 lbs.	\$2,226.00
37040	FB2560 SS NEMA 4X ENCLOSURE	Washdown	NEMA 4X	0 to 100%	35 lbs.	\$3,305.00
37042	FB2560 NEMA 4X PANEL MOUNT	Panel Mount	NEMA 4X	0 to 100%	35 lbs.	\$2,676.00
37043	FB2560 RACKMOUNT INSTRUMENT	Rackmount	NEMA 4X	0 to 90%	25 lbs.	\$2,325.00

Load Cell Interface Cards

Product #	Description	Mounting	Load Cells	Installation	Weight	List Price
30916	INTERNAL INTALOGIX INTERFACE	Internal	Up to (10) 350Ω or (16) 1000Ω	Factory Installed	2 lbs.	\$477.00
30944	INTERNAL INTALOGIX INTERFACE - FIELD INSTALLED	Internal	Up to (10) 350Ω or (16) 1000Ω	Field Installed	2 lbs.	\$477.00
33476	EXTERNAL(SINGLE)INTALOGIX INTF	External	Up to (10) 350Ω or (16) 1000Ω	Field Installed	13 lbs.	\$905.00
31281	EXTERNAL (DUAL)INTALOGIX INTFC	External	Up to (20) 350Ω or (32) 1000Ω	Field Installed	21 lbs.	\$1,132.00
31079	INTERNAL ANALOG LOADCELL INTRF	Internal		Field Installed	2 lbs.	\$357.00



FB2560 Accessories & Notes

Notes:

- **You must select a load cell interface for each FB2560 ordered.**
- External keyboard (25498 or 31036) not included.
- External keyboard required for alpha character data entry.
- Cameras not provided by Fairbanks are not supported.
- For camera information, see Camera Accessories page in this section.
- Adding more than two (2) accessory cards to an FB2560 requires an additional 30917 Accessory Expansion Card.
- Accessories are field-installed unless otherwise noted.

FB2560 Accessories							
Product #	Description	Weight	List Price	Product #	Description	Weight	List Price
30937	RS485 OUTPUT ACCESSORY	1 lbs.	\$46.00	30920	RELAY-I/O INTERFACE CARD KIT	2 lbs.	\$357.00
15888	1278 ACCESSORY 10' COMPUTER CABLE	2 lbs.	\$119.00	30919	4-20mA-(PASSIVE) KIT	2 lbs.	\$328.00
13171	2019 Accessory, relay cutoff box and connecting cable (dry contact)	14 lbs.	\$899.00	33258	4-20mA (ACTIVE) KIT	2 lbs.	\$328.00
30359	REMOTE SWITCH KIT	2 lbs.	\$172.00	27077	NEMA 4 KEYBOARD/MOUSE USB	5 lbs.	\$1,191.00
31974	ETHERNET/IP ACC-FIELDINSTALLED	2 lbs.	\$1,068.00	37432	713 Series relay box (dry contact)	3 lbs.	\$311.00
32760	MODBUS-TCP ACC-FIELD INSTALLED	2 lbs.	\$1,068.00	15892	CS 500 UPS with SVP	32 lbs.	\$346.00
30925	MODBUS-RTU ACC-FIELD INSTALLED	2 lbs.	\$1,068.00	55011	GROUND ROD KIT (SINGLE)	30 lbs.	\$123.00
30924	CONTROLNET ACC-FIELD INSTALLED	2 lbs.	\$1,068.00	55010	GROUND ROD KIT (DUAL)	40 lbs.	\$280.49
30923	DEVICENET ACC -FIELD INSTALLED	2 lbs.	\$1,068.00	23143	SURGE PROTECTOR 789 ACC FOR 4 OUTLET - 120 VAC INPUT	3 lbs.	\$125.00
30922	PROFIBUS ACC - FIELD INSTALLED	2 lbs.	\$1,068.00	23144	SURGE PROTECTOR 799 ACC FOR 220 VAC INPUT	3 lbs.	\$125.00
21912	ANALOG SECTIONAL CONTROLLER BOX FOR 2 CELLS - STAINLESS STEEL	5 lbs.	\$467.00	16163	2018 ACCESSORY RELAY BOX FOR CONTROLLING ONE-WAY TRAFFIC	8 lbs.	\$622.00
29827C	6' USB 2.0 A-to-B CABLE	2 lbs.	\$22.00	13170	703 Series relay box (dry contact)	14 lbs.	\$720.00
4540036	8-PORT ETHERNET SWITCH	5 lbs.	#N/A	30006	MANUAL TRAFFIC LIGHT CONTROL BOX 120 VAC - FOR USE WITH 1605T OR ACC777 TRAFFIC LIGHT ONLY (FOR 220, ADD STEP-DOWN TRANSFORMER 93740)	14 lbs.	\$627.00
15387	SVP KIT, 591 ACCESSORY, LOAD CELL & AC POWER SURGE PROTECTION	8 lbs.	\$373.00	11340	700 ACCESSORY, MANUAL TRAFFIC LIGHT BOX (NOT FOR USE WITH 1605T OR ACC 777 TRAFFIC LIGHTS ONLY)	14 lbs.	\$644.00
14478	SVP-529 ACC LOAD CELL OR INSTRUMENT SVP ONLY	3 lbs.	\$277.00	36238	SHORT HAUL MODEM,ACC-2100	10 lbs.	\$473.00
30917	EXPANSION CARD ACCESSORY KIT	2 lbs.	\$351.00	32023	RF MODEMS, SET OF 2, RS232	5 lbs.	\$656.00
33831	STAINLESS STEEL PILLAR FOR MOUNTING PHOTO EYE (PN 36547)-SINGLE	15 lbs.	\$188.00	38124	WIRELESS ETHERNET BRIDGE/ACCESS POINT - DISCONTINUED *USE PN 38914*	3 lbs.	\$661.00
19634	8' RS232 MOLDED INTERFACE CABLE	2 lbs.	\$13.00	30921	SERIAL EXPANSION PCB ASSY KIT	2 lbs.	\$328.00
36547	PHOTO EYE ACCESSORY KIT FOR FB2560	lbs.	\$3,529.00	33831	STAINLESS STEEL PILLAR FOR MOUNTING PHOTO EYE (PN 36547)-SINGLE	15 lbs.	\$188.00

FB2560 Applications

Product #	Description	List Price
999999	FB2560 Short Platform Axlematic	\$0.00
999998	FB2560 Full Platform Axlematic	\$0.00

• Refer to the product page and FB2560 accessory pages for specifics and notes



Photo Eye Accessory Kit for FB2560

FB2560 Photo Eye Accessory

Product #	Description	Weight	List Price
36547	PHOTO EYE ACCESSORY KIT FOR FB2560	lbs.	\$3,529.00
33831	STAINLESS STEEL PILLAR FOR MOUNTING PHOTO EYE (PN 36547)-SINGLE <ul style="list-style-type: none"> • PN 36547 includes two (2) source eyes, two (2) receivers, one (1) power supply and four (4) shrouds • This provides a source/receiver pair for each approach • This kit does not include cabling, instrumentation, Relay Interface Accessory or mounting pedestals (#33831) 	15 lbs.	\$188.00

What is included in the FB2560 Photo Eye kit?

The FB2560 Photo Eye kit includes two (2) source eyes, two (2) receivers, one (1) power supply, and four (4) shrouds. This provides a source/receiver pair for each approach and only one kit is required per scale.

The Photo Eye Kit does not include cabling, instrumentation, the Relay Interface Accessory or mounting pedestals.

When should photo eyes be used instead of loop detectors?

Photo eyes can be used in any application where it is critical that the truck is fully scale borne before weight is communicated or stored. Using photo eyes instead of loop detectors eliminates the need to cut into the concrete approaches to lay loops.

When are loop detectors required?

In attended or unattended situations where “Zero on Approach” is required, loop detectors should still be used. The photo eyes will not function properly with the “Zero on Approach” feature of the FB2560 and may not qualify an unattended scale as legal for trade.

Where can I get more information?

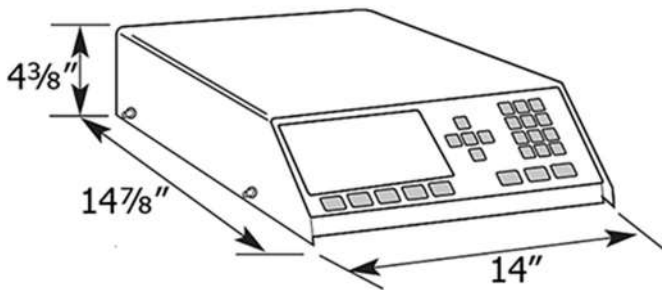
Installation instructions for the FB2560 Photo Eye Kit can be found in Bulletin 51467. Technical specifications can be found on the Photo Eye Kit page of the product catalog or in Quickfacts 100140.



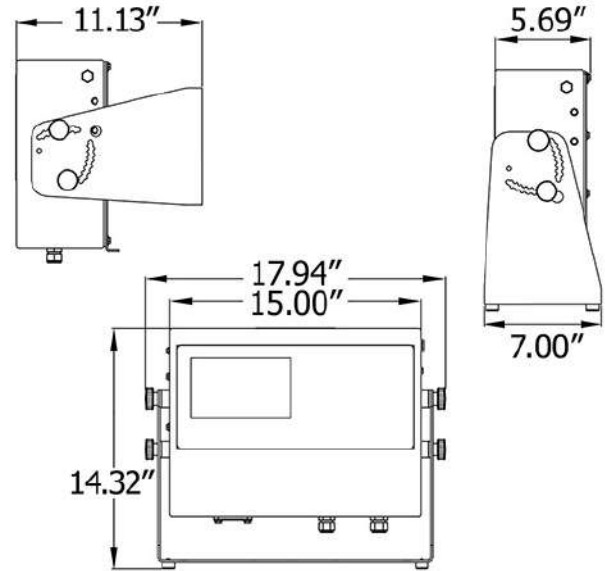
Shown with optional 33831 SS pedestal

FB2560 Drawings:

Desktop

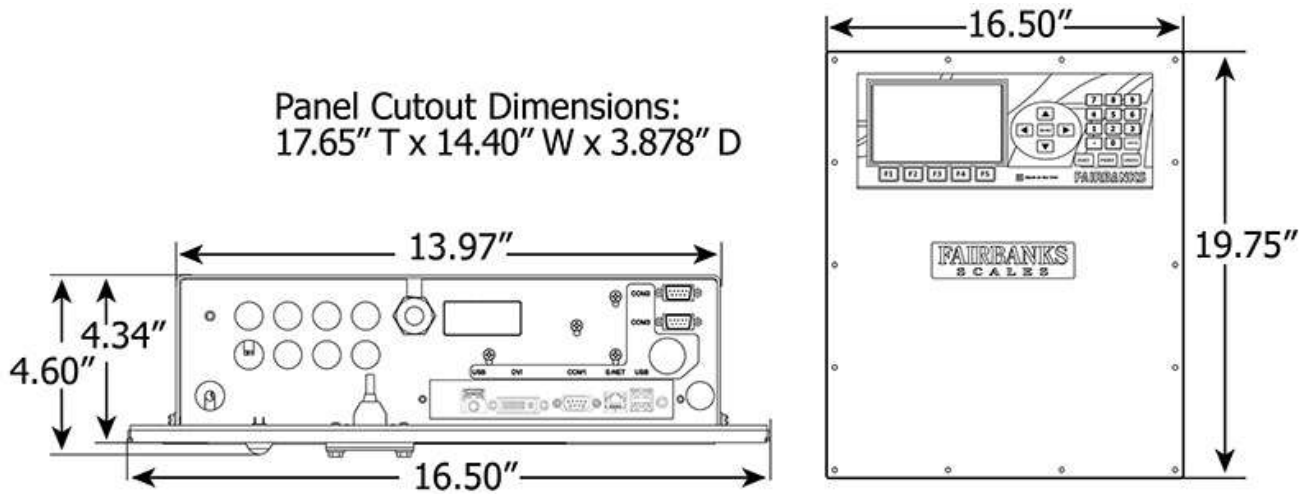


NEMA 4X Enclosure

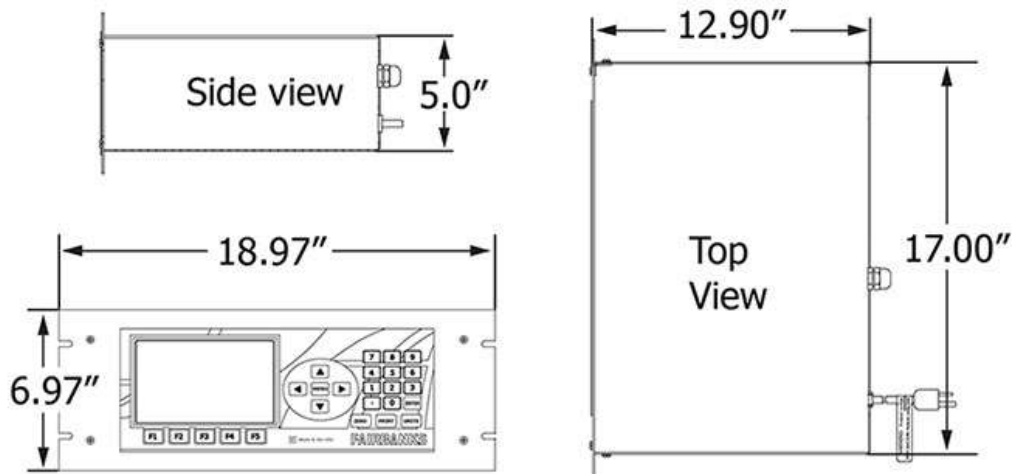


Panel Mount

Panel Cutout Dimensions:
17.65" T x 14.40" W x 3.878" D



Rackmount



FB4000 Series Instrument

FB4000 Series Instrument Enclosures: Desktop & Washdown

The all new FB4000 Instrument was designed to meet all your connectivity and data acquisition needs. The FB4000 is loaded with capabilities, far more than any other scale instrument. With combined features of both an instrument and PC, the FB4000 allows truck scale clients to program the unit in any computer language or load with their own specialized software. It can even connect directly to your company PC network. The FB4000 desktop instrument is rated NEMA 12 and it designed for use in an office or scale house environment.



Basic Features:
 Display – 10.4" color SBGA, Color LCD-TFT, 600 x 800 resolution
 Memory – 4 GB RAM
 Processor – 1.86g GHz, Dual Core
 Storage – 32 GB CFast Drive
 Outputs – 3 external DB9m RS232 interfaces
 4 external USB ports
 1 external HDMI port

Specifications:

Display Dimensions	10.4", 600 x 800 resolution	Networking	IEEE 802.3, 100Base-T compatible, 10/100/1000 Mbps External RJ45 Ethernet interface
Display	Color SVGA LCD-TFT	Number of Scales	Up to 8, depending on scale interface(s) used
Memory	4 GB RAM	Power Requirements	100 to 130 VAC or 200 to 260 VAC 50/60 Hz
Processor	7.86 GHz, Dual Core	Capacity	Programmable to 999,999
On-board Storage	32 GB CFast Drive	Displayed Units	7 Primary and 7 Secondary
Load Cell Interface Options	Analog and Intalogix®	Device Platform /Operating System	Windows 8.1 embedded
		Clock	Real time clock, Day of the week; 12-hour AM/PM, Date (month/day/year)
Humidity	0 to 90%	Multiple Scales	One instrument can run up to 8 scales, maximum of 32 load cells per instrument
Accuracy	Class III/IIIL	Display Resolution	10,000 divisions commercial; 50,000 divisions non-commercial

FB4000 Instruments

Product #	Description	HDMI	Weight	List Price	
33690	FB4000 INSTRUMENT NEMA 12	1 external port	30 lbs	\$3,178.00	
	Serial Outputs - 3 external DB9 Male RS232 Interfaces; USB 2.0 - 4 External Ports				
38336	FB4000 INSTRUMENT NEMA 12 (W10)	1 external port	30 lbs	\$3,321.00	
	Serial Outputs - 3 external DB9 Male RS232 Interfaces; USB 2.0 - 4 External Ports				
33575	FB4000 SS NEMA 4X INSTRUMENT	1 internal port	35 lbs	\$3,504.00	
	Serial Outputs - 3 internal DB9 male RS232 Interfaces; USB 2.0 - 2 externally accessible ports, 1 internal port				
38337	FB4000 STAINLESS STEEL NEMA 4X INSTRUMENT (W10)	1 internal port	35 lbs	\$3,662.00	
	Serial Outputs - 3 internal DB9 male RS232 Interfaces; USB 2.0 - 2 externally accessible ports, 1 internal port				
	<u>INTALOGIX INTERFACE CARDS</u>			Weight	List Price
30916	INTERNAL INTALOGIX INTERFACE		2 lbs	\$477.00	
30944	INTERNAL INTALOGIX INTERFACE - FIELD INSTALLED		2 lbs	\$477.00	
33476	EXTERNAL(SINGLE)INTALOGIX INTF		13 lbs	\$905.00	
31281	EXTERNAL (DUAL)INTALOGIX INTFC		21 lbs	\$1,132.00	
	<u>ANALOG INTERFACE CARDS</u>			Weight	List Price
31079	INTERNAL ANALOG LOADCELL INTRF		2 lbs	\$357.00	
	<u>FB4000 UPGRADE KITS FOR WINDOWS 8 TO WINDOWS 10</u>			List Price	
38747	FB4000 DESKTOP - WINDOWS 8 TO WINDOWS 10 UPGRADE KIT			\$1,365.00	
38748	FB4000 NEMA 4X - WINDOWS 8 TO WINDOWS 10 UPGRADE KIT			\$1,235.00	
	Note: Windows 8 to Windows 10 upgrade kit is for standard software only.				

FB4000 APPLICATIONS

Product #	Description	List Price
999997	FB4000 Enhanced Inbound/Outbound Application	\$0.00
999996	FB4000 Highway System Application	\$0.00
999995	FB4000 Predictive Cutoff Application	\$0.00

• **FB4000 Applications are included in all FB4000's - just select and configure**



FB4000 Accessories & Notes

FB4000 Series Instrument - Desktop Model

Stainless steel and powder coated steel NEMA 12 enclosure
Includes:

- Kernel Software
- In/Out Application
- Highway System Application
- Mini Keyboard (87 key, 25498)
- Mouse (2 button with wheel, USB, 26387)

Notes:

- **You must select a load cell interface for each FB4000 ordered.**
- Cameras not provided by Fairbanks Scales are not supported.
- For camera information, see Camera section: [31080 IP Camera](#)

FB4000 Series Instrument - Washdown Desk/Wall Mount

Model
Stainless Steel
NEMA 4X enclosure
Includes:

- Kernel Software
- In/Out Application
- Highway System Application

Notes:

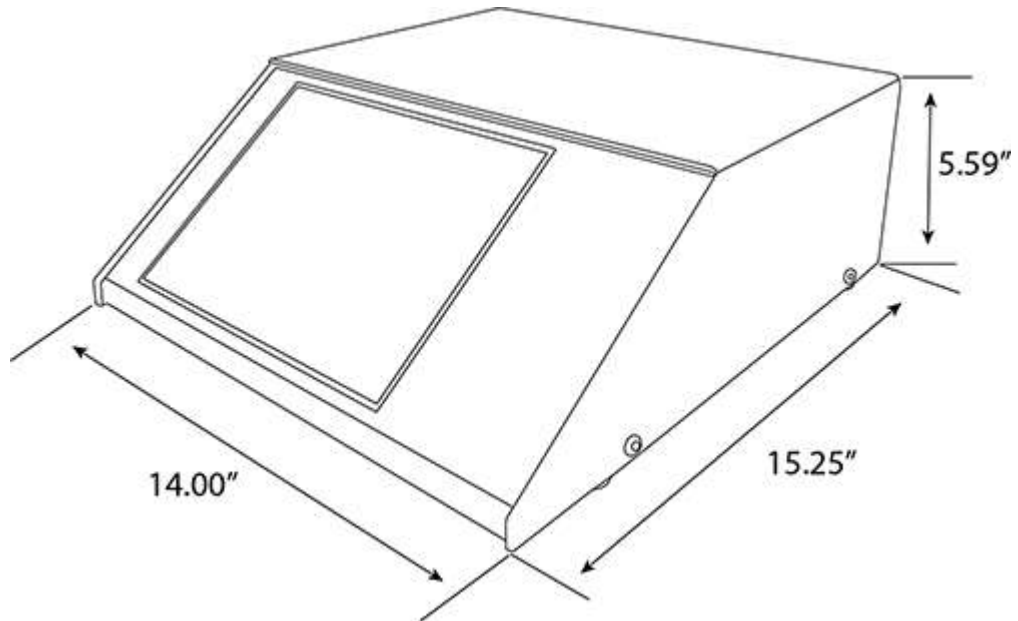
- **You must select a load cell interface for each FB4000 ordered.**
- 33575 display is not intended for outdoor use.
- Cameras not provided by Fairbanks Scales are not supported.
- For camera information, see Camera section: [31080 IP Camera](#)

FB4000 Accessories

Product #	Description	Weight	List Price	Product #	Description	Weight	List Price
18448	SAFE AREA PS/2800 - ISIB/2825	5 lbs.	\$658.00	19634	8' RS232 MOLDED INTERFACE CABLE	2 lbs.	\$13.00
30937	RS485 OUTPUT ACCESSORY	1 lbs.	\$46.00	30920	RELAY-I/O INTERFACE CARD KIT	2 lbs.	\$357.00
15888	1278 ACCESSORY 10' COMPUTER CABLE	2 lbs.	\$119.00	30919	4-20mA-(PASSIVE) KIT	2 lbs.	\$328.00
31974	ETHERNET/IP ACC-FIELDINSTALLED	2 lbs.	\$1,068.00	33258	4-20mA (ACTIVE) KIT	2 lbs.	\$328.00
32760	MODBUS-TCP ACC-FIELD INSTALLED	2 lbs.	\$1,068.00	37432	713 Series relay box (dry contact)	3 lbs.	\$311.00
30925	MODBUS-RTU ACC-FIELD INSTALLED	2 lbs.	\$1,068.00	15892	CS 500 UPS with SVP	32 lbs.	\$346.00
30924	CONTROLNET ACC-FIELD INSTALLED	2 lbs.	\$1,068.00	55011	GROUND ROD KIT (SINGLE)	30 lbs.	\$123.00
30923	DEVICENET ACC -FIELD INSTALLED	2 lbs.	\$1,068.00	55010	GROUND ROD KIT (DUAL)	40 lbs.	\$280.49
30922	PROFIBUS ACC - FIELD INSTALLED	2 lbs.	\$1,068.00	23143	SURGE PROTECTOR 789 ACC FOR 4 OUTLET - 120 VAC INPUT	3 lbs.	\$125.00
21912	ANALOG SECTIONAL CONTROLLER BOX FOR 2 CELLS - STAINLESS STEEL	5 lbs.	\$467.00	23144	SURGE PROTECTOR 799 ACC FOR 220 VAC INPUT	3 lbs.	\$125.00
26727	KIT, RELAY RS232 EXTERNAL	5 lbs.	\$127.00	16163	2018 ACCESSORY RELAY BOX FOR CONTROLLING ONE-WAY TRAFFIC	8 lbs.	\$622.00
35271	WIRELESS ETHERNET ACC (USB)	3 lbs.	\$130.00	13170	703 Series relay box (dry contact)	14 lbs.	\$720.00
26627	4-CHANNEL, DIGITAL INPUT RELAY	2 lbs.	\$161.00	30006	MANUAL TRAFFIC LIGHT CONTROL BOX 120 VAC - FOR USE WITH 1605T OR ACC777 TRAFFIC LIGHT ONLY (FOR 220, ADD STEP-DOWN TRANSFORMER 93740)	14 lbs.	\$627.00
26628	4-CHANNEL,DIGITAL OUTPUT RELAY	2 lbs.	\$126.00	11340	700 ACCESSORY, MANUAL TRAFFIC LIGHT BOX (NOT FOR USE WITH 1605T OR ACC 777 TRAFFIC LIGHTS ONLY)	14 lbs.	\$644.00
29856	4-CHANNEL,DRY CONTACT OUTPUT	2 lbs.	\$126.00	36238	SHORT HAUL MODEM,ACC-2100	10 lbs.	\$473.00
33199	CUTOFF RELAY BOX/MAX 16 I/O	15 lbs.	\$2,395.00	32023	RF MODEMS, SET OF 2, RS232	5 lbs.	\$656.00
15387	SVP KIT, 591 ACCESSORY, LOAD CELL & AC POWER SURGE PROTECTION	8 lbs.	\$373.00	38124	WIRELESS ETHERNET BRIDGE/ACCESS POINT - DISCONTINUED *USE PN 38914*	3 lbs.	\$661.00
14478	SVP-529 ACC LOAD CELL OR INSTRUMENT SVP ONLY	3 lbs.	\$277.00	30921	SERIAL EXPANSION PCB ASSY KIT	2 lbs.	\$328.00
35266	KIT,EXPANSION PCB ASSY	2 lbs.	\$256.68				







FB4000 Drawings:
Desktop Model



NEMA 4X Enclosure



Intalogix QLC (Quad Loadcell Controller) Instruments

	Instrument	Note
FB6045		<ul style="list-style-type: none"> • QPS and load cell interface included • Scale must be equipped with QLC • Note: up to three (3) accessory cards per FB6045
FB7121		<ul style="list-style-type: none"> • QPS and load cell interface included • Scale must be equipped with QLC (37721) • Note: only one (1) accessory cards per FB7121
FB7122		<ul style="list-style-type: none"> • QPS and load cell interface included • Scale must be equipped with QLC (37721) • Note: only one (1) accessory cards per FB7122 • Note: Not intended for outdoor use
FB722X		<ul style="list-style-type: none"> • QPS and load cell interface included. • <u>Scale must be equipped with QLC (37721).</u> • Note: Three (3) Accessory cards per FB7221. • Note: QLCs are not intended for outdoor use. Use SSCs and appropriate instrument for such outdoor applications.

See individual instrumentation page or Nexus for product specifications

Instruments for Intalogix QLC System

Product #	Description	CC #	MC #	System	Weight	List Price
38216	FB6045 Instrument for QLC	DESKTOP	NEMA 4X	QLC	15 lbs.	\$2,491.00
37442	FB7121 Desktop Instrument for QLC	DESKTOP	NEMA 12	QLC	8 lbs.	\$1,431.00
37468	FB7122 NEMA 4X Instrument for QLC	DESK/WALL MOUNT	NEMA 4X	QLC	15 lbs.	\$1,970.00
37537	FB7221 - DESKTOP, QLC INSTRUMENT	Desktop	NEMA 12	QLC	10 lbs.	\$1,662.00
37540	FB7222 - WASHDOWN, QLC INSTRUMENT	Desk/Wall Mount	NEMA 4X	QLC	15 lbs.	\$2,179.00
37543	FB7223 - PANEL MOUNT, QLC INSTRUMENT	Panel Mount	NEMA 4X	QLC	10 lbs.	\$1,756.00

Accessories for QLC Instrumentation

Product #	Description	Weight	List Price
37721	Quad Load Cell Box - Complete	5 lbs.	\$480.00
30920	RELAY-I/O INTERFACE CARD KIT	2 lbs.	\$357.00
35278	RELAY BOX-FB60X5 & FB7100	5 lbs.	\$681.00
36161	4 Relay Expansion Kit - ACC 166	2 lbs.	\$80.00

Other Instruments (FB2250 & FB2255)



FB2250 Instruments			
Product #	Description	Weight	List Price
29250	FB2250 INSTRUMENT, (AC) ABS	8 lbs.	\$885.00
29561	FB2250 INSTRUMENT, AC/BATT ABS	12 lbs.	\$1,093.00
29251	FB2250 INSTRUMENT, SS NEMA4X AC	12 lbs.	\$1,373.00
29803	FB2250 PANEL MOUNT INSTRUMENT	12 lbs.	\$1,680.00
28990	FB2250 INSTRUMENT, SS IP69K	13 lbs.	\$1,597.00
29562	FB2250 INSTRUMENT, SS AC/BATT	15 lbs.	\$2,021.00



FB2255 Instruments			
Product #	Description	Weight	List Price
32351	FB2255 ABS INSTRUMENT (AC POWER)	8 lbs.	\$995.00
32449	FB2255 INSTRUMENT NEMA1 ABS WITH AC/BATTERY POWER	12 lbs.	\$1,203.00
32352	FB2255 NEMA 4X SS INSTRUMENT - AC POWER	12 lbs.	\$1,483.00
32581	FB2255 PANEL MOUNT INSTRUMENT	12 lbs.	\$1,790.00
32353	FB2255 IP69K INSTRUMENT	13 lbs.	\$1,706.00
32450	FB2255 SS INSTRUMENT NEMA 4X - AC/BATTERY POWER	15 lbs.	\$2,131.00

FB2250/55 Accessories

FB2250 & FB2255 Accessories (all models)			
Product #	Description	Weight	List Price
15892	CS 500 UPS with SVP	32 lbs.	\$346.00
19634	8' RS232 MOLDED INTERFACE CABLE	2 lbs.	\$13.00
26039	10' RS232 INTERFACE CABLE	3 lbs.	\$109.00
26041	10' RS232 INTERFACE CABLE	3 lbs.	\$114.00
28685	4-20 mA ANALOG OUTPUT MODULE	1 lbs.	\$213.00
29265	FB2250 SS BATTERY ACCESSORY	15 lbs.	\$356.00
29421	FB2250 ABS BATTERY ACCESSORY	3 lbs.	\$118.00
29560	24-VDC EXT POWER SUPPLY	3 lbs.	\$103.00
29576	PROFIBUS INTERFACE-FIELD INSTL	1 lbs.	\$595.00
29578	DEVICENET INTERFACE-FIELD INST	1 lbs.	\$595.00
29884	ETHERNET/IP INTRFC-FIELD INSTL	1 lbs.	\$595.00
31979	CONTROLNET INTRFC-FIELD INSTLD	1 lbs.	\$595.00
33555	ETHERNET TCP ABS INSTRUMENT	1 lbs.	\$356.00
33557	ETHERNET TCP FOR SS INSTRMNT	3 lbs.	\$356.00
34032	MODBUS TCP INTRFC-FIELD INSTLD	1 lbs.	\$595.00
38083	L540 4" DIR THERM PRT W/LABELS	13 lbs.	\$644.00

Intalogix Conversion Packages

Intalogix Conversion Packages - No Instrumentation

Product #	Description	Weight	List Price
93483	1-SECTION INTALOGIX CONVERSION PACKAGE	34 lbs.	\$1,237.00
93484	2-SECTION INTALOGIX CONVERSION PACKAGE	39 lbs.	\$1,664.00
93485	3 SECTION INTALOGIX CONVERSION PACKAGE	44 lbs.	\$2,092.00
93486	4 SECTION INTALOGIX CONVERSION PACKAGE	49 lbs.	\$2,519.00
93487	5 SECTION INTALOGIX CONVERSION PACKAGE	54 lbs.	\$2,947.00
93488	6 SECTION INTALOGIX CONVERSION PACKAGE	59 lbs.	\$3,375.00
93489	7 SECTION INTALOGIX CONVERSION PACKAGE	64 lbs.	\$3,802.00
93490	8 SECTION INTALOGIX CONVERSION PACKAGE	69 lbs.	\$4,230.00

Does NOT include instrumentation. Add FB711X, FB2560 or FB4000 with Intalogix

- Used on existing scales, field retrofit (for matching # of sections)

Packages Include:

- (70 ft) 1146 (17245) 6 Conductor multi-color cable with outer SS sheath
- (1) 2001-1 (31519) Intalogix Power Supply for SSCs
- (1) 2001-1 (31519) Intalogix Power Supply for SSCs
- (1) 789 (23143) SVP Box for 117 VAC input
- (1, 2, or 3) 2001-1 (26168) Intalogix Smart Sectional Controller (SSC)
(# of PN26168 SSCs will depend on which package is ordered)

Self-Contained Conversion Packages - No Instrumentation

Product #	Description	Weight	List Price
25608	ENCLOSURE FOR 2-SECTION SCALE	39 lbs.	\$1,822.00
25609	ENCLOSURE FOR 4-SECTION SCALE	49 lbs.	\$2,551.00
25610	ENCLOSURE FOR 5-SECTION SCALE	54 lbs.	\$3,013.00

Does NOT include instrumentation. Add FB711X, FB2560 or FB4000 with Intalogix

Packages Include:

- 2, 4 or 5 Smart Sectional Controller Boards (depending on package ordered)
- 1 – Pit Power Supply Board
- Internal Interconnecting Cables
- SS NEMA 4X Enclosure

NOTES:

- Ideal for converting existing scales to Intalogix Technology
- Box is intended to be centrally located
- All load cell cables must be connected to this box
- Does not include home run cable
- Does not include instrumentation
- Not compatible with analog instrumentation
- Not compatible with Q Series Instruments
- **Normal SSC/PPS grounding rules apply**
- **Ground straps should be kept to 24" or less**

Rice Lake Analog-to-Intalogix Conversions

Rice Lake Analog-to-Intalogix Conversions

Product #	Description	# of Sections Supported	# of Cells Supported	List Price
36175Q	4-Section Rice Lake Intalogix Conversion	4	8	\$1,620.00
36405Q	5-Section Rice Lake Intalogix Conversion	5	10	\$2,012.00

NOTES:

- **Enclosure is not included**
- This kit reuses the existing Rice Lake analog summing box enclosures. (see image)
- If your site does not have this type of summing box, **this kit will not work.**

Kit Includes:

- (1) Pit Power Supply and 4 or 5 Smart Sectional Controllers, All boards are mounted in stainless steel bracket & Boards include all interconnect cables



Accessories & Options

Load Cell Interface Cards

Intalogix Load Cell Interfaces for FB2560 & FB4000

Product #	Description	Mounting	Load Cells	Installation	Weight	List Price
30916	INTERNAL INTALOGIX INTERFACE	Internal	Up to (10) 350Ω or (16) 1000Ω	Factory Installed	2 lbs.	\$477.00
30944	INTERNAL INTALOGIX INTERFACE - FIELD INSTALLED	Internal	Up to (10) 350Ω or (16) 1000Ω	Field Installed	2 lbs.	\$477.00
33476	EXTERNAL(SINGLE)INTALOGIX INTF	External	Up to (10) 350Ω or (16) 1000Ω	Field Installed	13 lbs.	\$905.00
31281	EXTERNAL (DUAL)INTALOGIX INTFC	External	Up to (20) 350Ω or (32) 1000Ω	Field Installed	21 lbs.	\$1,132.00

Analog Load Cell Interfaces for FB2560 & FB4000

Product #	Description	Weight	List Price
31079	INTERNAL ANALOG LOADCELL INTRF	2 lbs.	\$357.00

PN 30916: INTERNAL INTALOGIX INTERFACE FACTORY INSTALLED

- Factory installed
- For FB2560 and FB4000 instruments
- Allow instrument to interface to SSCs, DSSCs, and ISCs
- For up to 10 350Ω or 16 1000Ω load cells (**max 2 scales**)
- For more load cells, use 31281 External Intalogix Communication Device
- Only one (1) 30916 or 30944 per FB2560 or FB4000

PN 30944: INTERNAL INTALOGIX INTERFACE FIELD INSTALLED

- Field installed
- For FB2560 and FB4000 instruments
- Allow instrument to interface to SSCs, DSSCs, and ISCs
- For up to 10 350Ω or 16 1000Ω load cells (max 2 scales)
- For more load cells, use 31281 External Intalogix Communication Device
- Only one (1) 30916 or 30944 per FB2560 or FB4000

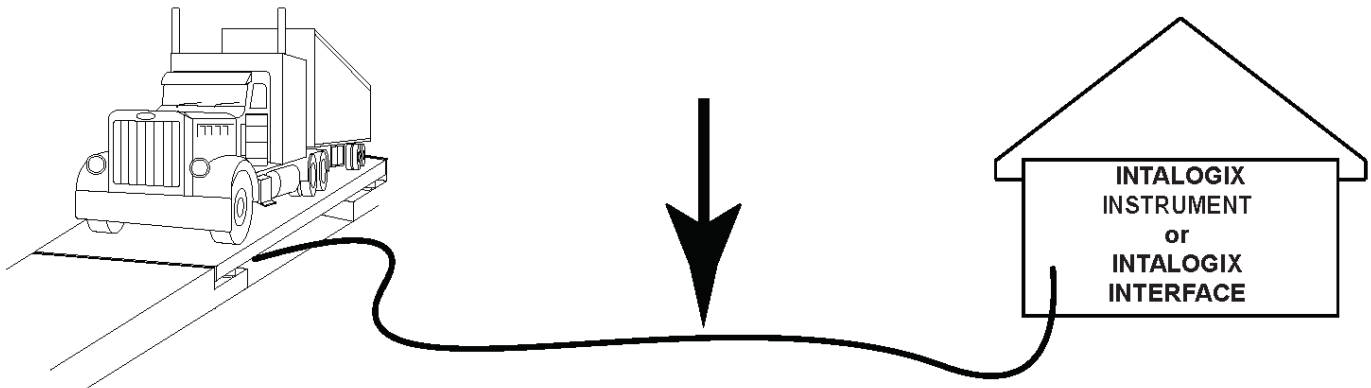
PN 33476: EXTERNAL (SINGLE) INTALOGIX INTERFACE FIELD INSTALLED

- For use with FB2560 and FB4000
- Mounts externally to instrument.
- Allows instrument to interface to SSCs, DSSCs, and ISCs
- For up to 10 350Ω load cells or 16 1000Ω load cells (**max 2 scales**)
- Includes electronics, enclosure, and 8' instrument-to-33476 cable.

PN 31281: EXTERNAL (DUAL) INTALOGIX INTERFACE FIELD INSTALLED

- For use with FB2560 or FB4000.
- Requires dual home run cables.
- Mounts externally to instrument.
- Allows instrument to interface to SSCs, DSSCs, and ISCs
- For up to 20 350Ω load cells or 32 1000Ω load cells (**max 2 scales**)
- Includes electronics, enclosure, and 8' FB2560-to-31281 cable

Maximum Home Run Cable Distance Information



Maximum Home Run Cable Distance

The wiring that interconnects the system components referenced above is either part number 17245, which is a multi-color cable encased in a stainless steel braid, or 17246, which is a multi-colored cable without the braid. If a different cable is used by the installer, it **MUST** be AWG 18 GAUGE with individual shielded and twisted pairs. The quantity of load cells and their impedance will affect the cable distance between the Intalogix Instrument or the Intalogix Interface and the Pit Power Supply (Home Run Cable). Refer to the following.

For 700 or 1000 ohm load cells

# CELLS	#SSCs	HOME RUN CABLE LENGTH	
		1 PPS	2 PPS
1	1	1800 FEET	3600 FEET
2	1	1800 FEET	3600 FEET
3	2	1800 FEET	3600 FEET
4	2	1800 FEET	3600 FEET
6	3	1800 FEET	3600 FEET
8	4	1800 FEET	3600 FEET
10	5	1800 FEET	3600 FEET
12	6	1150 FEET	2300 FEET
14	7	800 FEET	1600 FEET
16	8	575 FEET	1150 FEET

For 350 ohm load cells

# CELLS	# SSCs	HOME RUN CABLE LENGTH	
		1 PPS	2 PPS
1	1	1575 FEET	3150 FEET
2	1	1575 FEET	3150 FEET
3	2	1575 FEET	3150 FEET
4	2	1575 FEET	3150 FEET
6	3	1575 FEET	3150 FEET
8	4	1000 FEET	2000 FEET
10	5	575 FEET	1150 FEET

Longer cable distances will require a Solutions Request.

Instrumentation Accessories

FB4000 / FB2560 / FB6000 / FB7100 / FB7200 Relay Box Accessories

Product #	Description	Weight	List Price
	2018 ACCESSORY RELAY BOX FOR CONTROLLING ONE-WAY TRAFFIC		
16163	<ul style="list-style-type: none"> • One-Way traffic, buffered module • 10' box-to-instrument interface cable 	8 lbs.	\$622.00
	703 Series relay box (dry contact)		
13170	<ul style="list-style-type: none"> • Requires 30920 relay interface card • 10' box-to-instrument interface cable 	14 lbs.	\$720.00
	713 Series relay box (dry contact)		
37432	<ul style="list-style-type: none"> • Requires 30920 relay interface card • For use with incandescent traffic lights 	3 lbs.	\$311.00
	2019 Accessory, relay cutoff box and connecting cable (dry contact)		
13171	<ul style="list-style-type: none"> • 10' box-to-instrument interface cable • For custom FB2560 applications 	14 lbs.	\$899.00

Manual Traffic Light Control Boxes

Product #	Description	Weight	List Price
30006	MANUAL TRAFFIC LIGHT CONTROL BOX 120 VAC - FOR USE WITH 1605T OR ACC777 TRAFFIC LIGHT ONLY (FOR 220, ADD STEP-DOWN TRANSFORMER 93740)	14 lbs.	\$627.00
11340	700 ACCESSORY, MANUAL TRAFFIC LIGHT BOX (NOT FOR USE WITH 1605T OR ACC 777 TRAFFIC LIGHTS ONLY)	14 lbs.	\$644.00

Short-haul Modem

36238	SHORT HAUL MODEM,ACC-2100 <ul style="list-style-type: none"> • Add appropriate length of (20903)- 4 conductor cable • One 36238 required at each end 	10 lbs.	\$473.00
-------	---	---------	----------

RF Modems

32023	RF MODEMS, SET OF 2, RS232 <ul style="list-style-type: none"> • Indoor range up to 3,000 feet • Outdoor range up to 14 miles - line of sight • 900 MHz band • Verification of open frequency to be determined locally • Some on-site modem configuration via laptop may be required • Distance specs provided are best case. Actual site conditions may reduce these distances. Suitability to be determined locally. • Modem connection is DB9 female 	5 lbs.	\$656.00
-------	--	--------	----------

Wireless Ethernet Bridge / Access Point

38914	WIRELESS ETHERNET BRIDGE/ACCESS (5 GHz, Up to 9.3 miles line-of-sight range, AC power required at each point, Multi-point compatible, 38914 is a single unit) <ul style="list-style-type: none"> • 5.0 GHz • Up to 9.3 miles line-of-sight range • AC power required at each point • Multi-point compatible • Single Unit Only 	3 lbs.	\$712.00
-------	--	--------	----------

Surge Voltage Protection - Uninterruptible Power Supply (UPS)

Product #	Description	Weight	List Price
15892	CS 500 UPS with SVP	32 lbs.	\$346.00

Surge Voltage Protection Kits

Product #	Description	Weight	List Price
15387	SVP KIT, 591 ACCESSORY, LOAD CELL & AC POWER SURGE PROTECTION <ul style="list-style-type: none"> • Accessory 23143 • Accessory 14478 • Ground strap assembly • Not for use with 2300 	8 lbs.	\$373.00
14478	SVP-529 ACC LOAD CELL OR INSTRUMENT SVP ONLY <ul style="list-style-type: none"> • Not for use with 2300 	3 lbs.	\$277.00
55011	GROUND ROD KIT (SINGLE) Includes: <ul style="list-style-type: none"> • Ground Rod (0.75" x 8') • Clamps • Ground Stap • 50584 SVP manual 	30 lbs.	\$123.00
55010	GROUND ROD KIT (DUAL) Includes: <ul style="list-style-type: none"> • Two (2) Ground Rod (0.75" x 8') • Two (2) Clamps • Ground Stap • 50584 SVP manual 	40 lbs.	\$281.00
23143	SURGE PROTECTOR 789 ACC FOR 4 OUTLET - 120 VAC INPUT	3 lbs.	\$125.00
23144	SURGE PROTECTOR 799 ACC FOR 220 VAC INPUT	3 lbs.	\$125.00

Cables

Cables with Connectors

Product #	Description	Weight	List Price
19634	8' RS232 MOLDED INTERFACE CABLE	2 lbs.	\$13.00
26039	10' RS232 INTERFACE CABLE	3 lbs.	\$109.00

Notes for 19634 & 26039:

- DB9 pin female (computer end) to DB9 pin female (instrument end)

26041	10' RS232 INTERFACE CABLE <ul style="list-style-type: none"> • DB9 pin femail (computer end) to BARE WIRES (instrument end) 	3 lbs.	\$114.00
15888	1278 ACCESSORY 10' COMPUTER CABLE <ul style="list-style-type: none"> • DB25 pin femail (computer end) to DB9 pin female (instrument end) 	2 lbs.	\$119.00
29827C	6' USB 2.0 A-to-B CABLE	2 lbs.	\$22.00
12614	1248 ACC CONNECTOR KIT FOR NEMA 4X 2500 & 5200A	2 lbs.	\$80.70
13485	1256 SERIES CONNECTOR KIT FOR	1 lbs.	\$126.81
15585	1266 SERIES CONNECTOR KIT	1 lbs.	\$68.31
13486	334 SERIES CONNECTOR KIT	1 lbs.	\$13.00
16157	1264 CABLE ACCESSORY, 8'	2 lbs.	\$119.00
12654	1251 ACCESSORY, RS232 CABLE - 8' INSTRUMENT TO PRINTER CABLE	2 lbs.	\$119.00



Cables by the Foot Information

Product #	Description	List Price Per Foot
20777	1163 Accessory, 4-conductor 24-gauge unshielded cable	\$1.00
20903	1162 Accessory, 4-conductor 24-gauge cable	\$2.75
17211	17211 Accessory, 6-conductor 22-gauge cable	\$2.00
17216	1160 Accessory, 4-conductor 22-gauge cable	\$1.00
17232	17232 Accessory, 4-conductor 22-gauge cable with TEFLON jacket	\$5.95
17203	1164 Accessory, 2-conductor 22-gauge load cell cable	\$1.00
17204	1161 Accessory, 6-conductor 18-gauge load cell cable	\$1.50
29878	29878 Accessory, 4-conductor 18-gauge multicolor cable with outer stainless steel sheath	\$2.50
17220	150 ACC RELAY CABLE PER FOOT	\$2.00
17246	1145 Accessory, 6-conductor (2 18-gauge/4 22-gauge) multicolor cable	\$1.50
17245	1146 Accessory, 6-conductor (2 18-gauge/4 22-gauge) multicolor cable with outer stainless steel sheath	\$3.00

Cables by the Foot Information

Product #	Conductors	Gauge	Shielding	Jacket	Overbraid	Diameter
20777	4	24	None	Gray PVC	No	0.340"
20903	4	24	Individual shielded pairs	Gray PVC	No	0.340"
17211	6	22	Individual shielded pairs	Gray PVC	No	0.265"
17216	4	22	Individual shielded pairs	Gray PVC	No	0.208"
17232	4	22	Individual shielded pairs	Teflon	No	0.194"
17203	2	22	Individual shielded pairs	Gray PVC	No	0.170"
17204	6	18	Individual shielded pairs	Gray PVC	No	0.380"
29878	4	18	Individual shielded pairs	Gray PVC	Yes	0.256"
17220	7	24	1 Internal Shield	Gray PVC	No	0.277"
17246	6	(2) 18 ga, (4) 22ga	Individual shielded pairs	Gray PVC	No	0.350"
17245	6	(2) 18 ga, (4) 22ga	Individual shielded pairs	Gray PVC	Yes	0.380"

Pre-cut and Dressed Cables

Product #	Description	List Price
15602	1147 Accessory, SSC interface cable, 31' pre-cut and dressed 17245	\$99.00
19919	1144 Accessory, SSC interface cable, 40' pre-cut and dressed 17245	\$150.00
29510	29510 Accessory, PPS interface cable, 6' pre-cut and dressed 17245	\$115.00
29879	29879 Accessory, PPS interface cable, 31' pre-cut and dressed 29878	\$175.00

Notes:

- 17203 not for use with remote display
- 20903 cable is a low-capacitance cable for use with long 20mA runs and 485 applications.

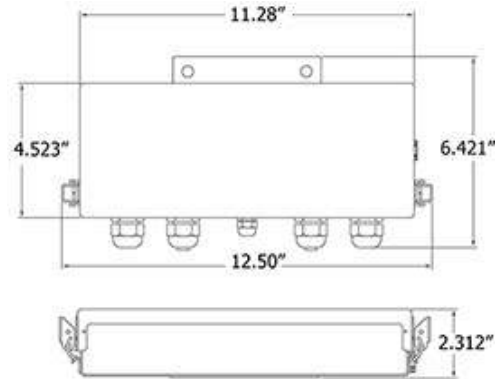
Rolls of Cable

Product #	Description	List Price
34005	500' roll of 1146 (17245) cable - Multi-color conductors with outer stainless steel braid	\$1,648.00
34006	500' roll of 1145 (17246) cable - Multi-color conductors	\$545.00
34007	1,000' roll of 1145 (17246) cable - Multi-color conductors	\$1,097.00
21602	1,000' roll of 1146 (17245) cable - Multi-color conductors with outer stainless steel braid	\$3,302.00

Pit Power Supply (PPS)

Pit Power Supply

Product #	Description	Weight	List Price
31519	PIT POWER SUPPLY INTALOGIX <ul style="list-style-type: none"> • Additional power supply is required for applications with more than 16, 1,000 ohm load cells. Reference instrument Service Manual for details. • Additional power supply is required for applications with more than 10, 350 ohm load cells. Reference instrument Service Manual for details. 	8 lbs.	\$595.00



Smart Sectional Controller (SSC)

Smart Sectional Controllers

Product #	Description	Excitation Voltage	Weight	List Price
26168	2000 ACC SMART SECTIONAL CONTROLLER	5.0 VDC lbs.	5 lbs.	\$503.00
26172	2000 ACC SMART SECTIONAL CONTROLLER WITH FLOAT SWITCH	6.3 VDC lbs.	5 lbs.	\$503.00

Note:

- Compatible with any analog load cell
- Excitation voltage is shown above
- Required for each section of a truck scale or pair of load cells
 - Example: a 4 section, 8 load cell truck scale requires 4 Smart Sectional Controllers (SSC)

Analog Section Box & J-Box

Analog Section Box & J-Box

Product #	Description	Weight	List Price
21912	ANALOG SECTIONAL CONTROLLER BOX FOR 2 CELLS - STAINLESS STEEL <ul style="list-style-type: none"> - Controls two analog cells - Order one (1) for each scale section lbs. 	5 lbs.	\$467.00
67171M	ACC 1172 NEMA 4X RATED STAINLESS STEEL ANALOG JUNCTION BOX WITH FM LABEL <p>NOTES:</p> <ul style="list-style-type: none"> - Stainless steel 4 cell junction box with summing card, NEMA 4X rated. - For use with all analog instruments including Intrinsically Safe instrument lbs. 	4 lbs.	\$211.00

PN 21912 Analog Section Box



PN 67171M Analog Junction Box



Wireless Intalogix System

Wireless Intalogix System

Product #	Description	Weight	List Price
29414	WIRELESS INTALOGIX SYSTEM	40 lbs.	\$5,586.00

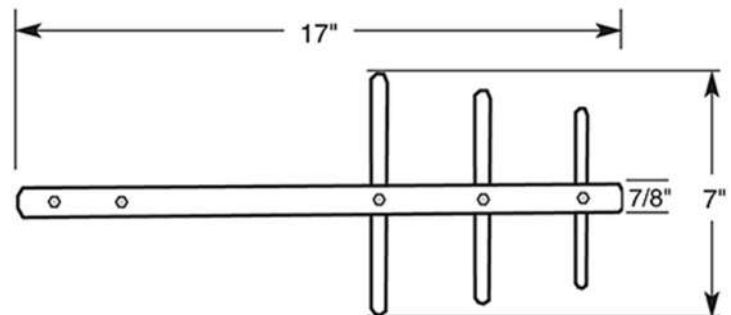
- Includes:

- Two (2) antennae
- One (1) RF modem with NEMA 4 enclosure
- One (1) RF modem/pit power supply with NEMA 4 enclosure
- Four (4) 3" clamps
- 100' RF modem-to-instrument cable
- Two (2) 250' RF modem-to-antenna cables

- Does NOT include:

- PPS-to-SSC cable
- Pole to antenna mounting

- 120 VAC power must be available at the scale platform to power this system.
- **System only provides the Intalogix signal. No other devices/signals can be on this interface.**
- Wireless Intalogix does not require any special software.
- RF modems packaged in NEMA 4 composite enclosures.
- 900 MHz band
- Verification of open frequency to be determined locally.
- Some on-site modem configuration via laptop may be required.
- **Distance specs provided are best case. Actual site conditions may reduce these distances. Suitability to be determined locally.**
- **Cannot** be used with legacy 31818 wireless Ethernet bridge. Contact Solutions for other wireless Ethernet options.
- Some on-site modem configuration via laptop may be required, if used with 1605RF or 1605T-RF.
- No conflict with 38124 Wireless Ethernet.



Quad Load Cell Box (QLC)

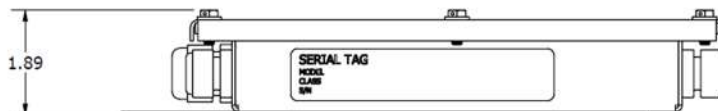
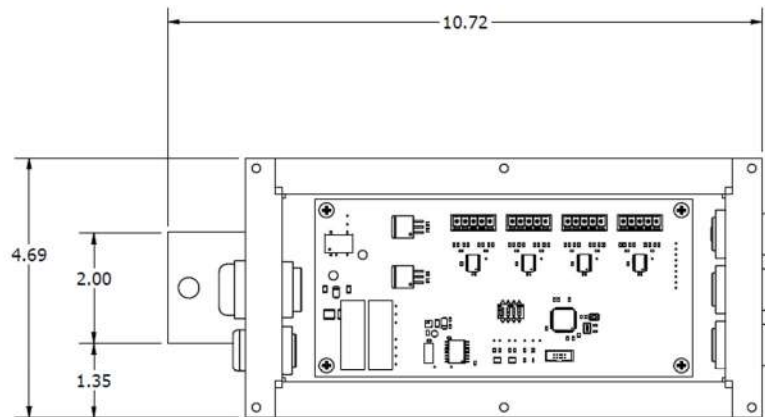
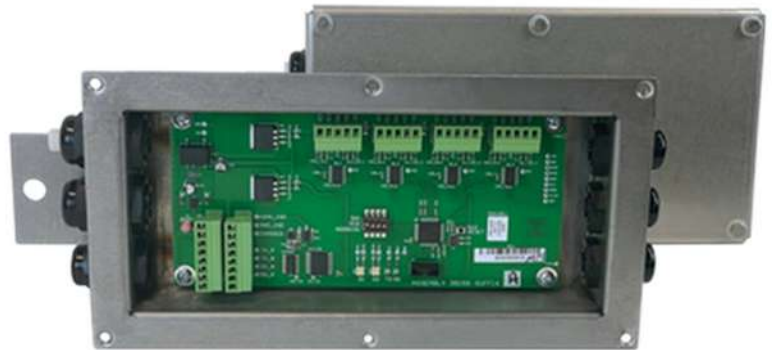
Quad Load Cell Box (QLC)

Product #	Description	Weight	List Price
37721	Quad Load Cell Box - Complete	5 lbs.	\$480.00

SPECIFICATIONS:			
Enclosure Construction	Stainless Steel	Enclosure Rating	NEMA 4X
Sealing	(6) 10-32 Hex Screw	Load Cells	Up to 4 per QLC
Excitation Voltage	5 VDC	Total # of QLCs	Up to four (4) QLCs daisy-chained
Power Requirements	Powered by Homerun cable to instrument	Mounting	Mount inside of Aegis junction box compartment or on nearby wall
Approvals	NTEP CC# 20-102		

ACC-3300 Quad Loadcell Controller (QLC)

- QLC boxes should be wired to the QLC compatible instrument and other QLC boxes with cable 17246.
- Dimensions: 10.72" x 5" x 1.89"
- Not compatible with FB2560 & FB4000 Intalogix load cell interfaces.
 - Only compatible with:
 - [FB7121](#)
 - [FB7122](#)
 - [FB6045](#)



Traffic Lights

Traffic Lights & Traffic Light Accessories			
Product #	Description	Weight	List Price
85293	TL1 - One-Direction Traffic Light, 8" LENS W/VISORS, BULBS AND SLIPFITTER	20 lbs	\$687.00
86019	TL2 - Two-Direction Traffic Light, 8" LENS W/ TUNNEL VISOR, RED/GREEN POLY LENS, LAMPS AND SLIPFITTER (ONLY)	45 lbs	\$1,524.00
145073	ARROW LENS INSERT FOR GREEN LIGHT	7 lbs	\$150.00
105632	TL1 WALL MOUNT KIT FOR TRAFFIC SIGNALS, CONDUIT ENTRY THROUGH WALL & REQUIRES 85293	20 lbs	\$150.00
105634	TL1 WALL MOUNT KIT FOR TRAFFIC SIGNALS, CONDUIT ENTRY THROUGH BOTTOM BRACKET & REQUIRES 85293	20 lbs	\$184.00
85294	8' ALUMINUM POLE FOR TRAFFIC LIGHT, 4-1/2"OD (NATURAL FINISH)	35 lbs	\$455.00
155645	10' ALUMINUM POLE FOR TRAFFIC LIGHT, 4-1/2"OD (NATURAL FINISH)	39 lbs	\$548.00
155646	12' ALUMINUM POLE FOR TRAFFIC LIGHT, 4-1/2"OD (NATURAL FINISH)	44 lbs	\$638.00
85295	SQUARE BASE, 4.5" THREADED TOP (DRAWING 85295)	23 lbs	\$476.00
85296	ALUMINUM POLE CAP NATURAL FINISH	3 lbs	\$49.00
144565	DRILL-IN-PLACE ANCHOR BOLTS W/ EPOXY, .75" X 9.625" LONG (SET OF 4)	10 lbs	\$363.00
86573	SLIPFITTER, 4.5" TRI-STUD	5 lbs	\$128.00
85297	TRAFFIC LIGHT REPLACEMENT BULB - 69 WATT & 18,000 HOUR	3 lbs	\$6.00
29001	ACC 777- LED TRAFFIC LIGHT (HARD WIRED - NO AC CARD INCLUDED, REQUIRES 86573 SLIPFITTER OR 29769 WALL MOUNT PLATE FOR MOUNTING, TRAFFIC CONTROL BOX NOT INCLUDED)	20 lbs	\$727.00
29769	WALL BRACKET FOR ACC 777/778	5 lbs	\$83.00

Notes:

- Poles, mounting hardware and cables not included.
- Traffic lights do not include control box. Add traffic light control box.
- 29001 and 29769 – FOB St. Johnsbury, Vermont.

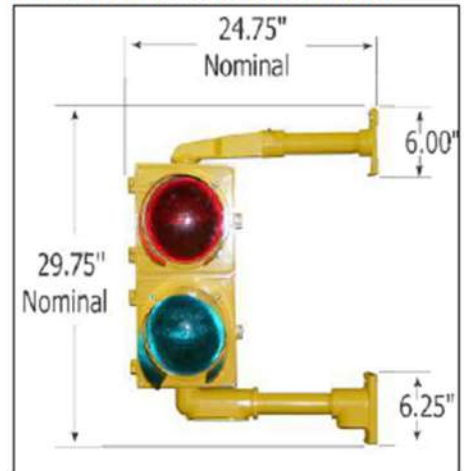
85293 – One directional



86019 – Two directional



85293 with Wall-mount Kit



Traffic Light Kits

Traffic Light Kits

Product #	Description	Shipping Weight	List Price
85291	TRAFFIC LIGHT KIT, 1 DIRECTION	88 lbs.	\$1,938.00

Includes:

- | | |
|--|--|
| (1) Traffic light, 8" 2-section 1-direction, tunnel visor with red/green poly lens | (1) Drill-in-place anchor bolts, with epoxy, 3/4" x 9 5/8" long – Set of 4 |
| (1) Slipfitter, 4 1/2" tri-stud, one direction | (1) Square base, 4 1/2" thread |
| (1) 4 1/2" O.D. x 8' pole, aluminum, natural finish | (2) Light bulb |

Product #	Description	Shipping Weight	List Price
85292	TRAFFIC LIGHT KIT, 2 DIRECTION	116 lbs.	\$2,783.00

Includes:

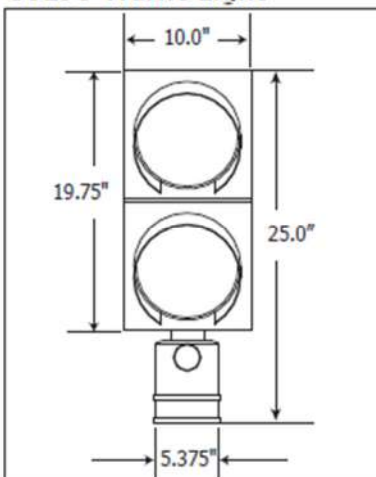
- | | |
|---|--|
| (2) Traffic light 8" 2-section, 1-direction tunnel visor with red/green poly lens | (1) Drill-in-place anchor bolts, with epoxy, 3/4" x 9 5/8" long – Set of 4 |
| (1) Two-way top bracket, tri-stud | (1) Two-way bottom bracket, mono-stud |
| (1) Slipfitter, 4 1/2" tri-stud, one direction | (1) 4 1/2" O.D. x 8' pole, aluminum, natural finish |
| (1) Square base, 4 1/2" thread | (4) Light bulb |

Note:

- Traffic light kits do not include control box. Add for traffic light control box.

Product #	Description	Shipping Weight	List Price
	TL1 & TL2 TRAFFIC LIGHT CONTROL BOXES		
16163	2018 ACCESSORY RELAY BOX FOR CONTROLLING ONE-WAY TRAFFIC	8 lbs.	\$622.00
11340	700 ACCESSORY, MANUAL TRAFFIC LIGHT BOX (NOT FOR USE WITH 1605T OR ACC 777 TRAFFIC LIGHTS ONLY)	14 lbs.	\$644.00
	1605T - ACC 777 LED TRAFFIC LIGHT CONTROL BOXES		
30006	MANUAL TRAFFIC LIGHT CONTROL BOX 120 VAC - FOR USE WITH 1605T OR ACC777 TRAFFIC LIGHT ONLY (FOR 220, ADD STEP-DOWN TRANSFORMER 93740)	14 lbs.	\$627.00
13170	703 SERIES RELAY BOX, 120 VAC ONLY - FOR CONTROLLING ONE-WAY TRAFFIC (FOR 220, ADD STEP-DOWN TRANSFORMER 93740)	14 lbs.	\$720.00

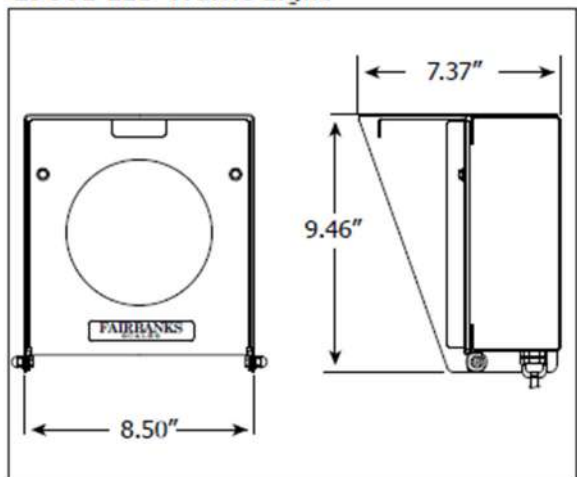
85293 Traffic Light



29001 – ACC 777 LED Traffic Light









29001 LED Traffic Light



Remote Displays

Remote Displays					
Product #	Description	Display Size	Enclosure Rating	Weight	List Price
38041	FB1200 RESIN ALLOY ENCLOSURE, AC POWERED -	2.0"	NEMA 4	15 lbs.	\$657.00
38009	FB1200 STAINLESS STEEL ENCLOSURE, AC POWERED -	2.0"	NEMA 4X	15 lbs.	\$877.00
27720	1601 SERIES REMOTE DISPLAY - WITH DESK/WALL MOUNT BRACKET	1.5"	NEMA 4X	15 lbs.	\$1,267.00
26575	1605 SERIES REMOTE DISPLAY - WITH MOUNTING BRACKET	5.0"	NEMA 3	30 lbs.	\$2,074.00
29000	1605T DISPLAY W/TRAFFIC LIGHT - 5" REMOTE DISPLAY	5.0"	NEMA 3	30 lbs.	\$2,416.00
30981	1605RF WIRELESS 5" REMOTE DISP - INCLUDES 2 RF MODEMS	5.0"	NEMA 3	35 lbs.	\$3,243.00
31934	1605T-RF WIRELESS REMOTE DIS - WITH INTEGRATED TRAFFIC LIGHT	5.0"	NEMA 3	39 lbs.	\$3,804.00

Product #	Description	List Price
17216	4 CONDUCTOR 22 GA SERIAL CABLE - 1160 ACC OUTPUT CABLE	Price per foot \$1.00
27731	1600 SERIES REMOTE TEMPERATURE MODULE (1601 & 1605) - REMOTE DISPLAY	\$136.00
30006	TRAFFIC LIGHT CONTROL BOX,702T - MANUAL SWITCH OPERATION	\$627.00

Remote Display Images			
	FB1200 as a remote display		1601 Series Remote Display
	1605 Series Remote Display		1605T Display w/ Integrated Traffic Light
	1605RF Wireless Remote Display		1605T-RF Wireless Remote Display w/ integrated traffic light

Remote Display Tower for Highway Systems



DON'T FORGET, INCLUDE A FAIRBANKS SCALES BUILT REMOTE DISPLAY TOWER FOR YOUR NEXT HIGHWAY SYSTEM APPLICATION.



Includes four (4) 1601 remote displays in a single enclosure to show the steer, drive and rear axle weights as well as the total weight and is compatible with most manufacturers highway system scales.



Remote Display Tower for Highway Systems

Price Includes: (1) Special Quad 1601 Remote Display Mounting plate included, can be mounted to a wall or pole. Standard poles and hardware will work with the mounting plate on display.

Price does NOT Include: Pole, order desired pole from the catalog. Pole mounting hardware requirements are found with poles in the catalog. U-Clamp/Bolts, in catalog. 3", 4" or 5" depending on pole size used. ACC 777 LED traffic light can be mounted to the top of the pole where the 1601 stack is located. Add from catalog. Be sure to include 86573 slip fitter for mounting ACC 777 on top of pole.

Remote Display Tower for Highway Systems		
Product #	Description	List Price
SB96630	REMOTE DISPLAY TOWER - QUAD 1601 DISPLAY	Call for Pricing



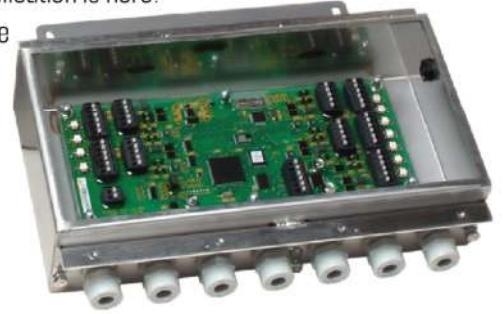
EFSIC Upgrade Option for Highway Systems

An Economical Upgrade to the 2500 Highway Systems

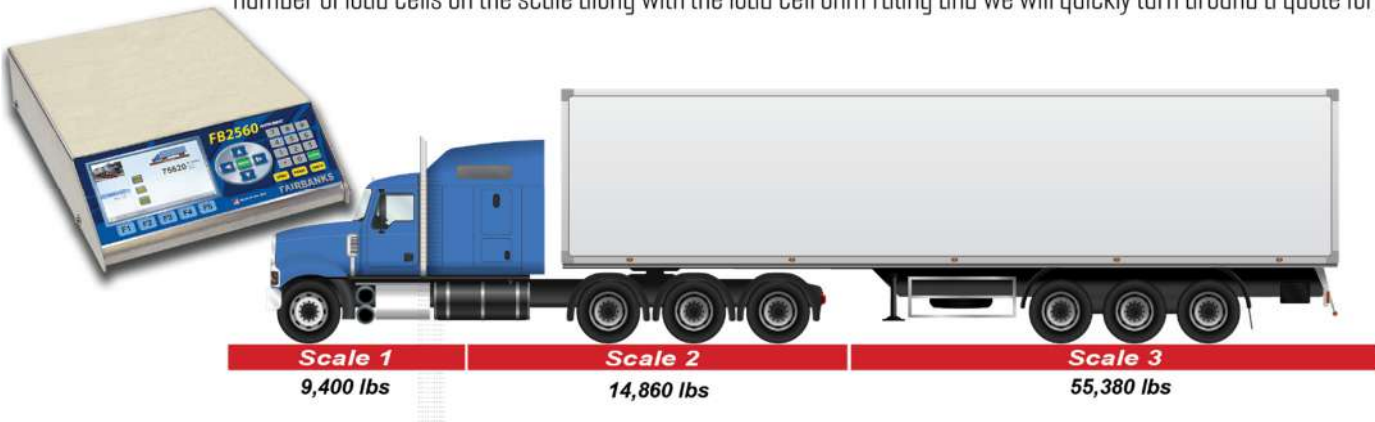
The cost effective solution to upgrading your customer's current 2500 highway system application is here!

The EFSIC is an enhanced single Intalogix interface card that allows for up to 3 scales where prior upgrade solutions would require an additional external interface card, an additional home run cable run and a second pit power supply.

The NEW EFSIC card option utilizes the requirements of the 2500 systems with the single home run and single pit power supply allowing you to easily upgrade the customer to an FB2560 or FB4000 with the EFSIC card to be upgraded to readily available current product.



For EFSIC card pricing please reach out to our distribution support team or enter a solutions request identifying the number of load cells on the scale along with the load cell ohm rating and we will quickly turn around a quote for you.




EFSIC for Highway System Upgrade

Product #	Description	List Price
SB96640	EFSIC for FB2560	\$625.00
SB96641	EFSIC for FB4000	\$625.00

Loop Detector Control Kit

Loop Detector Control Kit

Product #	Description	Weight	List Price
38834	LOOP DETECTOR CONTROL KIT	15 lbs.	\$3,027.00
	Loop Detector Accessories		
15809	1400-4 ACC 4" CLAMP TO MOUNT	2 lbs.	\$44.00
33489	MOUNTING PLATE FOR LOOP DETCTR	10 lbs.	\$265.00
18971	LOOP,PREFORMED 4'x 8',SAW CUT	15 lbs.	\$393.00
18972	LOOP,PREFORMED 4'x 8',PAVEOVER	15 lbs.	\$451.00
33761	SEALANT-SAWCUT LOOP INSTALL	2 lbs.	\$45.00

	SPECIFICATIONS:	
	Enclosure	Fiberglass, NEMA 4X
	Number of Loops	Two (2) maximum
	Number of Scales	One scale per 38834
	Number of 32426s per FB2560	Two (2) per FB2560 maximum
	Power Requirements	120 VAC
	Interface Cable	10' of 17216 cable included with Loop Controller to FB2560 interface. Use appropriate length of 17216 for lengths greater than 10'

Loop Detector Controller for **FB2560 or FB2560 DAT** (only)
 FB2560 standard software supports bi-directional traffic flow
 for ZERO ON APPROACH functions.

Includes:

- 19206 Loop Controller Assembly
- 30920 Relay Interface Accessory
 - 30920 mounts internally in FB2560

NOTES:

Loops NOT included - Add preformed loops - 18971 or 18972

Outdoor IP Camera – Day/Night

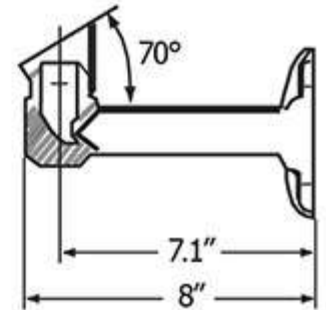
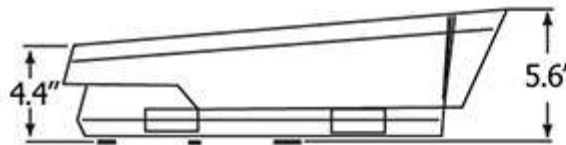
Outdoor IP Camera - Day/Night

Product #	Description	Weight	List Price
31080	OUTDOOR IP CAMERA - DAY/NIGHT	20 lbs.	\$2,407.00
Camera Accessories			
15808	1400-3 ACC 3" CLAMP TO MOUNT	2 lbs.	\$44.00
32373	CAMERA POLE MOUNT PLATE	5 lbs.	\$161.00
15810	5" U-BOLT KIT FOR 15807 PLATE	2 lbs.	\$50.00
15809	1400-4 ACC 4" CLAMP TO MOUNT	2 lbs.	\$44.00
4540036	8-PORT ETHERNET SWITCH	5 lbs.	



- Operating range -40° F to +140° F
- Power = PoE adapter (included) *
- Frame rate = up to 30 fps
- Minimum illumination = Color: 0.05 Lux, B/W: 0.01 Lux, F1.2
- Enclosure included

*31080 can be powered from the network cabling (PoE) if existing PoE network conforms to IEEE 802.3af, otherwise, use power adapter included.

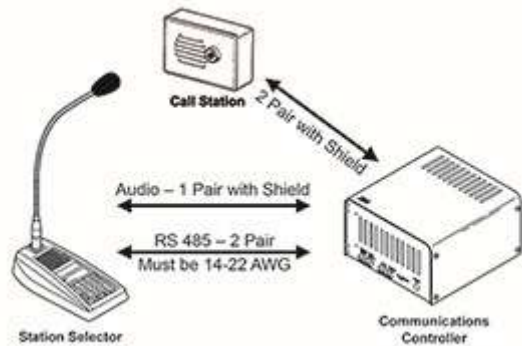


- Cameras not provided by Fairbanks are not supported.
- Cameras ship with a CD that contains installation instructions and configuration software for configuring the camera. You must make provisions locally to use a laptop to configure the camera(s).
- Ethernet cabling not included.
- If no Ethernet network exists, an Ethernet switch is required to interface the camera to the FB2560 or FB4000.
- Provisions must be made to accommodate camera power supply (see image above) if PoE is not used.

Intercom Systems

Intercom Systems

Product #	Description	Weight	List Price
29539	INTERCOM SYSTEM, PERFORMANCE SERIES Operating Mode - Standby, Listen, Talk, All Call, Off Line	25 lbs.	\$1,735.00
30317	INTERCOM STATION SELECTOR FOR PERFORMANCE SERIES ONLY Requires 29539	7 lbs.	\$856.00
32738	3M INTERCOM CONTROLLER Communications Controller Only	20 lbs.	\$1,226.00
29545	INTERCOM CALL STATION W/CALL BUTTON Includes speaker and call button in a stainless steel enclosure (requires intercom system)	5 lbs.	\$311.00
30422	POWER SUPPLY FOR PERFORMANCE SERIES ONLY If more than 3 station selectors are needed, order a 30422 for each additional station selector.	3 lbs.	\$59.00
09110036	INTERCOM SPEAKER - FBAS ONLY	3 lbs.	\$184.00



- Includes:
 - Station Selector
 - Communications Controller
 - Power Supply for up to three (3) station selectors. Each additional station selector [more than 3] requires an additional 30422
- Supports up to eight (8) call station
- Note:** Call Stations (speakers) not included.
- Cable size required varies, based on cable distance.**
- Three (3) cable runs required.**
- Reference manual 51199 or charts & image below to determine cable sizes required.
- Cable NOT included.**

Wire Gauge Used	AUDIO Wiring Requirements (see wiring image above)	RS485 Wiring Requirements (see wiring image above)
	Maximum Distance Between: 1 - Controller & Station Selector 2 - Controller & Speaker (Call Station)	Maximum distance between Communications Controller and Station Selector
22	Up to 306 feet	Up to 62 feet
20	310 to 496 feet	63 to 99 feet
18	494 to 783 feet	100 to 157 feet
16	784 to 1245 feet	158 to 249 feet
14	1246 to 1980 feet	250 to 396 feet

Parts Lists

FB1200

FB1200 Stainless Steel Parts List

Part #	Description
38011	Con Screw term strip 3pin 8mm
38012	Flange Screw Seal
38018	Internal Rear Housing
38019	FB1200 PCB Assembly
38020	Front Molding, Metal Enclosure
FB1200	
Front Metal Housing	Front Metal Housing
38025	Front Overlay FB1200, SS
38027	Mounting Stand, Metal
38029	Metal Back Cover
38032	Cable-Tie L100MM x 2.5mm
38037	Power Cord, 3 pin, USA plug
38303	Interior Parts Kit Includes: - (10) Screw, M4x16 - (4) Screw M3x12 Self Tap - (2) Cable Gland, M16 - (4) Cable Gland, M12 - (5) Screw M3x8 Self Tap - (1) Connector, 3 Pin Screw Terminal - (3) Connector, 7 Pin Screw Terminal - (2) Connector, 5 Pin Screw Terminal
38304	Exterior Parts Kit Includes: - (11) Flange Screw Seal - (8) Flange Screw - (2) Swivel Mount Lock Knob - (4) Swivel Mount Lock Washer - (3) Flange Screw, Cross Drilled
38302	Power Supply Replacement Kit Includes: - (1) AC Wiring Isolation Cover - (1) AC Power Supply Module

FB1200 Resin Alloy Parts List

Part #	Description
38011	Con Screw term strip 3pin 8mm
38018	Internal Rear Housing
38019	FB1200 PCB Assembly
38043	Front shell welded assembly
38044	Front Overlay FB1200, Resin
38045	Mounting Stand, Resin
38046	Housing Back Cover
38032	Cable-Tie L100MM x 2.5mm
38037	Power Cord, 3 pin, USA plug
38303	Interior Parts Kit Includes: - (10) Screw, M4x16 - (4) Screw M3x12 Self Tap - (2) Cable Gland, M16 - (4) Cable Gland, M12 - (5) Screw M3x8 Self Tap - (1) Connector, 3 Pin Screw Terminal - (3) Connector, 7 Pin Screw Terminal - (2) Connector, 5 Pin Screw Terminal
38304	Exterior Parts Kit Includes: - (11) Flange Screw Seal - (8) Flange Screw - (2) Swivel Mount Lock Knob - (4) Swivel Mount Lock Washer - (3) Flange Screw, Cross Drilled
38302	Power Supply Replacement Kit Includes: - (1) AC Wiring Isolation Cover - (1) AC Power Supply Module

SEE THE SERVICE MANUAL FOR ADDITIONAL DETAILS AND CURRENT INFORMATION

NexWeigh

NexWeigh NEMA 4X Parts List

NexWeigh IP69K Parts List

Part #	Description	Part #	Description
27736	Enclosure assy	29006	PANEL ASSY,FRONT
28117	NEXWEIGH,DISPLY I/O CONTROLLER - DISCONTINUED	28117	NEXWEIGH,DISPLY I/O CONTROLLER - DISCONTINUED
29146	PCB ASSY, SMALL BLOCK (NON-POTTED)	29146	PCB ASSY, SMALL BLOCK (NON-POTTED)
29669	POWER CORD ASSY	29005	BOX ASSY
27713	KEYBOARD	15131	POWER CORD ASSEMBLY
27737	plate, cover	11926	ADHESIVE, STUD LOCK
27766	spacer, hex #6-32 x .312 LG	29008	SPACER
11998	SPACER,HEX	27713	KEYBOARD
17545	CONNECTOR, LIQUID TIGHT .2"	29007	GASKET
15651	"O" RING	11998	SPACER,HEX
17534	CONNECTOR, LIQUID TIGHT .3"	17545	CONNECTOR, LIQUID TIGHT .2"
12342	GASKET-ZERO PUSHBUTTON	15651	"O" RING
17503	BLOCK, TERMINAL, PLUG 3 TERM .295 CC (XTB4 FOR A1-TB4)	17534	CONNECTOR, LIQUID TIGHT .3"
17496	BLOCK, TERMINAL, PLUG 8 TERM .197 CC (XTB1 FOR A2-TB1)	12342	GASKET-ZERO PUSHBUTTON
20963	BLOCK, TERMINAL, PLUG 6 TERM .150 CC (XTB1 FOR A1-TB1)	17503	BLOCK, TERMINAL, PLUG 3 TERM .295 CC (XTB4 FOR A1-TB4)
20965	BLOCK, TERMINAL, PLUG 3 TERM .150 CC (XTB2 FOR A1-TB2)	17496	BLOCK, TERMINAL, PLUG 8 TERM .197 CC (XTB1 FOR A2-TB1)
11495	WASHER, NYLON NO. 10	20963	BLOCK, TERMINAL, PLUG 6 TERM .150 CC (XTB1 FOR A1-TB1)
11075	sealing, cap screw. 10-32 x .50, before s/n 170320000001	20965	BLOCK, TERMINAL, PLUG 3 TERM .150 CC (XTB2 FOR A1-TB2)
11052	sealing, cap screw, 10-24 x .50 After s/n 170320000001	11495	WASHER, NYLON NO. 10
14083	sealing SCREW, 10-32 x .50 before s/n 170320000001	14083	sealing SCREW, 10-32 x .50 before s/n 170320000001
35557	sealing SCREW, 10-24 x .50 after s/n 170320000001	11191	WASHER-LOCK-EXT TOOTH NO. 6
11188	WASHER-LOCK-EXT TOOTH, NO. 8	11102	NUT-HEX 6-32
11104	NUT-HEX 8-32	11124	WASHER-PLAIN NO. 6
11126	WASHER-PLAIN- NO.8	11150	SCREW,MACH PH PHIL 6-32 X .312
11150	SCREW,MACH PH PHIL 6-32 X .312	24366	LABEL, GROUND SYMBOL
11191	WASHER-LOCK-EXT TOOTH NO. 6	29081	ETL MARK LABEL
14820	WASHER, KEYED	12609	NYLON ROD
29081	ETL MARK LABEL	25355	VENT,MEMBRANE
12609	NYLON ROD	25356	NUT,VENT
25355	VENT,MEMBRANE	12189	SEAL, HEAVY METER
25356	NUT,VENT	24961	LABEL, FAIRBANKS
12189	SEAL, HEAVY METER	22003	LABEL
24961	LABEL, FAIRBANKS	29589	NAMEPLATE
22003	LABEL	51216	MANUAL, CD (24448)
24366	LABEL, GROUND SYMBOL		
27770	nameplate		
51216	MANUAL, CD (24448)		

SEE THE SERVICE MANUAL FOR ADDITIONAL DETAILS AND CURRENT INFORMATION



NexWeigh NEMA 4x with Ethernet Parts List

NexWeigh IP69K with Ethernet Parts List

Part #	Description	Part #	Description
27725	NEXWEIGH INSTRUMENT WITH NEMA 4X ENCLOSURE (NO STAND - FOR USE ON QS PILLAR)	28985	NEXWEIGH INSTRUMENT WITH IP69K ENCLOSURE (NO STAND - FOR USE ON QS PILLAR)
27739	INSTRUMENT BRACKET	27739	INSTRUMENT BRACKET
15745	KNOB, SS	15745	KNOB, SS
12621	WASHER,RETAINER FOR KNOB	12621	WASHER,RETAINER FOR KNOB
12103	FOOT, BLACK RUBBER 0.75" DIAM	12103	FOOT, BLACK RUBBER 0.75" DIAM
11138	SCREW-MACH-PH-PHIL 8-32 X .38	11138	SCREW-MACH-PH-PHIL 8-32 X .38
29935	PCB ASSY,ETHERNET DEVICE SERV	29935	PCB ASSY,ETHERNET DEVICE SERV
29917	ETHERNET CABLE ASSY-NEXWEIGH	29917	ETHERNET CABLE ASSY-NEXWEIGH
29933	POWER SUPPLY ASSY	29933	POWER SUPPLY ASSY
29934	CABLE ASSY, POWER/INTERFACE	29934	CABLE ASSY, POWER/INTERFACE
29931	PLATE, MOUNTING	29931	PLATE, MOUNTING
29932	CLAMP,POWER SUPPLY	29932	CLAMP,POWER SUPPLY
30001	BRACKET, FUSE HOLDER	30001	BRACKET, FUSE HOLDER
25312	FUSE HOLDER	25312	FUSE HOLDER
25316	FUSE	25316	FUSE
17562	SPACER, .25 HEX, M/F 4-40 X .50 LONG	17562	SPACER, .25 HEX, M/F 4-40 X .50 LONG
25553	SPACER,ALUM HEX KB	25553	SPACER,ALUM HEX KB
11136	SCREW, FOR J1 AND J2 OUTPUT	11136	SCREW, FOR J1 AND J2 OUTPUT
11192	WASHER-LOCK-EXT TOOTH NO. 4	11192	WASHER-LOCK-EXT TOOTH NO. 4
11153	SCR-MACH-PH-PHIL-UNC	11153	SCR-MACH-PH-PHIL-UNC
11191	WASHER-LOCK-EXT TOOTH NO. 6	11191	WASHER-LOCK-EXT TOOTH NO. 6
17602	SPACER, .25 HEX, M/F, SST 6-32 X .31 LONG	17602	SPACER, .25 HEX, M/F, SST 6-32 X .31 LONG
31361	NAMEPLATE SPECIFICATION	31365	NAMEPLATE SPECIFICATION

NexWeigh Ethernet Cable Assembly

Part #	Description
28361	CONNECTOR, MALE 8 POSITION
29512	CABLE, UNSHIELDED 24 AWG, SOLID 8 CONDUCTOR P1, P2
17534	CONNECTOR, LIQUID TIGHT .3"
12342	GASKET-ZERO PUSHBUTTON
17616	MARKER TIE

SEE THE SERVICE MANUAL FOR ADDITIONAL DETAILS AND CURRENT INFORMATION



FB7100

FB7101 Desktop Parts List

FB7111 Desktop Parts List

Part #	Description	Part #	Description
37303	BASE ASSY,FB7100 DESKTOP	37303	BASE ASSY,FB7100 DESKTOP
37304	COVER,FB7100 DESKTOP	37304	COVER,FB7100 DESKTOP
37582	FRONT PANEL SUB-ASSY,FB7100	37582	FRONT PANEL SUB-ASSY,FB7100
37245	PCB,ASSY,MAIN, ANALOG FB7101	37248	PCB,ASSY,MAIN,INTALOGIX FB7111
37445	FLAT FLEX JUMPER, 6"	37445	FLAT FLEX JUMPER, 6"
17534	CONNECTOR, LIQUID TIGHT .3"	17534	CONNECTOR, LIQUID TIGHT .3"
19454	PLUG D-HOLE	19454	PLUG D-HOLE
12103	FOOT, BLACK RUBBER 0.75" DIAM	12103	FOOT, BLACK RUBBER 0.75" DIAM
10895	SCREW-MACH-PH-PHIL 6-32 x .38	10895	SCREW-MACH-PH-PHIL 6-32 x .38
37297	STANDOFF, HEX, 6-32 X 3.5"	37297	STANDOFF, HEX, 6-32 X 3.5"
37298	FLAT HD SCREW,SS,UNDERCUT 6-32 X .375	37298	FLAT HD SCREW,SS,UNDERCUT 6-32 X .375
11339	WASHER, PLAIN FLAT(NYLON) NO.8	11339	WASHER, PLAIN FLAT(NYLON) NO.8
12431	SCREW, SEALING	12431	SCREW, SEALING
37301	SCREW, PAN HEAD, W/ WASHER, 6-32 X .25	37301	SCREW, PAN HEAD, W/ WASHER, 6-32 X .25
11020	BUSHING-STRAIN RELIEF	11020	BUSHING-STRAIN RELIEF
12189	SEAL, HEAVY METER	12189	SEAL, HEAVY METER
30467	POWER CABLE, 6FT	30467	POWER CABLE, 6FT
37898	MICRO SD CARD ASSY, 7100 SOFTWARE	37898	MICRO SD CARD ASSY, 7100 SOFTWARE
31274	PCB ASSY & CONFIG,PROCESSOR BD	31274	PCB ASSY & CONFIG,PROCESSOR BD

SEE THE SERVICE MANUAL FOR ADDITIONAL DETAILS AND CURRENT INFORMATION

FB7102 NEMA 4X Desk/Wall Mount Parts List

FB7112 NEMA 4X Desk/Wall Mount Parts List

Part #	Description	Part #	Description
37348	FB7200-SS ENCLOSURE	37348	FB7200-SS ENCLOSURE
37685	COVER SUB-ASSY, FB7100-SS	37685	COVER SUB-ASSY, FB7100-SS
27739	INSTRUMENT BRACKET	27739	INSTRUMENT BRACKET
37474	PCB ASSY,MAIN, ANALOG FB7102	37475	PCB,ASSY,MAIN,INTALOGIX FB7112
17252	POWER CORD	17252	POWER CORD
37353	CABLE ASSY,USB PNL MT TO USB 90,TYPE A,25CM	37353	CABLE ASSY,USB PNL MT TO USB 90,TYPE A,25CM
37446	FLAT FLEX JUMPER,50 POS,3"	37446	FLAT FLEX JUMPER,50 POS,3"
37350	GASKET,COVER,7100 SS	37350	GASKET,COVER,7100 SS
28297	PLATE,COVER USB	28297	PLATE,COVER USB
28298	GASKET FOR USB ACCESS COVER	28298	GASKET FOR USB ACCESS COVER
12621	WASHER,RETAINER FOR KNOB	12621	WASHER,RETAINER FOR KNOB
36808	LABEL, HOLE SEAL, 1.6"	36808	LABEL, HOLE SEAL, 1.6"
17534	CONNECTOR, LIQUID TIGHT .3"	17534	CONNECTOR, LIQUID TIGHT .3"
12342	GASKET-ZERO PUSHBUTTON	12342	GASKET-ZERO PUSHBUTTON
12011	ROD, NYLON	12011	ROD, NYLON
25355	VENT,MEMBRANE	25355	VENT,MEMBRANE
25356	NUT,VENT	25356	NUT,VENT
31093	SCREW,MACH,PAN HEAD,PHIL KB	31093	SCREW,MACH,PAN HEAD,PHIL KB
11052	sealing, cap screw, 10-24 x .50 After s/n 170320000001	11052	sealing, cap screw, 10-24 x .50 After s/n 170320000001
35557	sealing SCREW, 10-24 x .50 after s/n 170320000001	35557	sealing SCREW, 10-24 x .50 after s/n 170320000001
11495	WASHER, NYLON NO. 10	11495	WASHER, NYLON NO. 10
14820	WASHER, KEYED	14820	WASHER, KEYED
37696	KNOB, PLASTIC, FIVE ARM, 1/4-20 INSERT	37696	KNOB, PLASTIC, FIVE ARM, 1/4-20 INSERT
12103	FOOT, BLACK RUBBER 0.75" DIAM	12103	FOOT, BLACK RUBBER 0.75" DIAM
11138	SCREW-MACH-PH-PHIL 8-32 X .38	11138	SCREW-MACH-PH-PHIL 8-32 X .38
12189	SEAL, HEAVY METER	12189	SEAL, HEAVY METER
37898	MICRO SD CARD ASSY, 7100 SOFTWARE	37898	MICRO SD CARD ASSY, 7100 SOFTWARE
31274	PCB ASSY & CONFIG,PROCESSOR BD	31274	PCB ASSY & CONFIG,PROCESSOR BD

SEE THE SERVICE MANUAL FOR ADDITIONAL DETAILS AND CURRENT INFORMATION



FB7121 Desktop QLC Parts List

FB7122 NEMA 4X QLC Parts List

Part #	Description	Part #	Description
37303	BASE ASSY,FB7100 DESKTOP	37348	FB7200-SS ENCLOSURE
37304	COVER,FB7100 DESKTOP	37685	COVER SUB-ASSY, FB7100-SS
37582	FRONT PANEL SUB-ASSY,FB7100	27739	INSTRUMENT BRACKET
37267	PCB ASSY & CONFIG,QLC BREAKOUT	37476	* INTALOGIX BREAK OUT BOARD
37445	FLAT FLEX JUMPER, 6"	17252	POWER CORD
17534	CONNECTOR, LIQUID TIGHT .3"	37353	CABLE ASSY,USB PNL MT TO USB 90,TYPE A,25CM
19454	PLUG D-HOLE	37446	FLAT FLEX JUMPER,50 POS,3"
12103	FOOT, BLACK RUBBER 0.75" DIAM	37350	GASKET,COVER,7100 SS
10895	SCREW-MACH-PH-PHIL 6-32 x .38	28297	PLATE,COVER USB
37297	STANDOFF, HEX, 6-32 X 3.5"	28298	GASKET FOR USB ACCESS COVER
37298	FLAT HD SCREW,SS,UNDERCUT 6-32 X .375	12621	WASHER,RETAINER FOR KNOB
11339	WASHER, PLAIN FLAT(NYLON) NO.8	36808	LABEL, HOLE SEAL, 1.6"
12431	SCREW, SEALING	17534	CONNECTOR, LIQUID TIGHT .3"
37301	SCREW, PAN HEAD, W/ WASHER, 6-32 X .25	12342	GASKET-ZERO PUSHBUTTON
11020	BUSHING-STRAIN RELIEF	12011	ROD, NYLON
12189	SEAL, HEAVY METER	25355	VENT,MEMBRANE
30467	POWER CABLE, 6FT	25356	NUT,VENT
		31093	SCREW,MACH,PAN HEAD,PHIL KB
		11052	sealing, cap screw, 10-24 x .50 After s/n 170320000001
		35557	sealing SCREW, 10-24 x .50 after s/n 170320000001
		11495	WASHER, NYLON NO. 10
		14820	WASHER, KEYED
		37696	KNOB, PLASTIC, FIVE ARM, 1/4-20 INSERT
		12103	FOOT, BLACK RUBBER 0.75" DIAM
		11138	SCREW-MACH-PH-PHIL 8-32 X .38
		12189	SEAL, HEAVY METER

SEE THE SERVICE MANUAL FOR ADDITIONAL DETAILS AND CURRENT INFORMATION



ACC 165 & ACC 3300

ACC 165 Parts List

Part #	Description
35275	ENCLOSURE
34709	PCB ASSY RELAY
35584C	RELAY MODULE
35585C	FUSE,SLOW BLOW 10A
17545	CONNECTOR, LIQUID TIGHT .2"
15651	"O" RING
12609	NYLON ROD
17534	CONNECTOR, LIQUID TIGHT .3"
15651	"O" RING
12609	NYLON ROD
20963	BLOCK, TERMINAL, PLUG 6 TERM .150 CC (XTB1 FOR A1-TB1)

ACC 3300 Quad Load Cell Controller Parts List

Part #	Description
37722	BOX ASSY, QLC,
35159	PCB ASSY,QUAD SSC QLC
15660	GASKET
15659	COVER ASSY, ACC 3000-1A
11495	WASHER, NYLON NO. 10
14083	sealing SCREW, 10-32 x .50 before s/n 170320000001
17534	CONNECTOR, LIQUID TIGHT .3"
12342	GASKET-ZERO PUSHBUTTON
17533	CONNECTOR-LIQUID TIGHT
15652	O RING
10893	SCREW-MACH-PHIL 6-32 x .25
12189	SEAL, HEAVY METER
12609	NYLON ROD
15656	NAMEPLATE, VARIOUS
51536	MANUAL FOR QLC ACCESSORY BOX
12011	ROD, NYLON

SEE THE SERVICE MANUAL FOR ADDITIONAL DETAILS AND CURRENT INFORMATION

FB7200

FB7200 NEMA 12 Desktop Parts List (37535)

FB7200 NEMA 12 Desktop Parts List (37542)

Part #	Description	Part #	Description
12103	FOOT, BLACK RUBBER 0.75" DIAM	12103	FOOT, BLACK RUBBER 0.75" DIAM
37297	STANDOFF, HEX, 6-32 X 3.5"	37297	STANDOFF, HEX, 6-32 X 3.5"
19454	PLUG D-HOLE	19454	PLUG D-HOLE
17534	CONNECTOR, LIQUID TIGHT .3"	17534	CONNECTOR, LIQUID TIGHT .3"
37298	FLAT HD SCREW,SS,UNDERCUT 6-32 X .375	37298	FLAT HD SCREW,SS,UNDERCUT 6-32 X .375
11339	WASHER, PLAIN FLAT(NYLON) NO.8	11339	WASHER, PLAIN FLAT(NYLON) NO.8
12431	SCREW, SEALING	12431	SCREW, SEALING
37561	BASE ASSEMBLY, 7200	37561	BASE ASSEMBLY, 7200
37562	FB7200 COVER 72X1	37562	FB7200 COVER 72X1
37530	CABLE ASSEMBLY EXPANSION BOARD	37530	CABLE ASSEMBLY EXPANSION BOARD
37445	FLAT FLEX JUMPER, 6"	37445	FLAT FLEX JUMPER, 6"
37361	PCB, ASSY AND CONFIG, EXPANSION	37361	PCB, ASSY AND CONFIG, EXPANSION
37474	PCB ASSY,MAIN, ANALOG FB7102	37476	* INTALOGIX BREAK OUT BOARD
37301	SCREW, PAN HEAD, W/ WASHER, 6-32 X .25	37267	PCB ASSY & CONFIG,QLC BREAKOUT
10895	SCREW-MACH-PH-PHIL 6-32 x .38	37301	SCREW, PAN HEAD, W/ WASHER, 6-32 X .25
38100	FB7200 FRONT PANEL SUB-ASSY	10895	SCREW-MACH-PH-PHIL 6-32 x .38
11020	BUSHING-STRAIN RELIEF	38100	FB7200 FRONT PANEL SUB-ASSY
30467	POWER CABLE, 6FT	11020	BUSHING-STRAIN RELIEF
		30467	POWER CABLE, 6FT

SEE THE SERVICE MANUAL FOR ADDITIONAL DETAILS AND CURRENT INFORMATION



FB7200 NEMA 4X Desk/Wall Mount Parts List (37538)

FB7200 NEMA 4X Desk/Wall Mount Parts List (37540)

Part #	Description	Part #	Description
37348	FB7200-SS ENCLOSURE	37348	FB7200-SS ENCLOSURE
38703	COVER SUB-ASSEMBLY, 7200-SS	38703	COVER SUB-ASSEMBLY, 7200-SS
27739	INSTRUMENT BRACKET	27739	INSTRUMENT BRACKET
37474	PCB ASSY,MAIN, ANALOG FB7102	37476	* INTALOGIX BREAK OUT BOARD
15131	POWER CORD ASSEMBLY	37267	PCB ASSY & CONFIG,QLC BREAKOUT
37353	CABLE ASSY,USB PNL MT TO USB 90,TYPE A,25CM	15131	POWER CORD ASSEMBLY
37446	FLAT FLEX JUMPER,50 POS,3"	37353	CABLE ASSY,USB PNL MT TO USB 90,TYPE A,25CM
37530	CABLE ASSEMBLY EXPANSION BOARD	37446	FLAT FLEX JUMPER,50 POS,3"
37350	GASKET,COVER,7100 SS	37530	CABLE ASSEMBLY EXPANSION BOARD
28297	PLATE,COVER USB	37350	GASKET,COVER,7100 SS
28298	GASKET FOR USB ACCESS COVER	28297	PLATE,COVER USB
12621	WASHER,RETAINER FOR KNOB	28298	GASKET FOR USB ACCESS COVER
36808	LABEL, HOLE SEAL, 1.6"	12621	WASHER,RETAINER FOR KNOB
17534	CONNECTOR, LIQUID TIGHT .3"	36808	LABEL, HOLE SEAL, 1.6"
12342	GASKET-ZERO PUSHBUTTON	17534	CONNECTOR, LIQUID TIGHT .3"
12011	ROD, NYLON	12342	GASKET-ZERO PUSHBUTTON
25355	VENT,MEMBRANE	12011	ROD, NYLON
25356	NUT,VENT	25355	VENT,MEMBRANE
31093	SCREW,MACH,PAN HEAD,PHIL KB	25356	NUT,VENT
11191	WASHER-LOCK-EXT TOOTH NO. 6	31093	SCREW,MACH,PAN HEAD,PHIL KB
11102	NUT-HEX 6-32	11191	WASHER-LOCK-EXT TOOTH NO. 6
11052	sealing, cap screw, 10-24 x .50 After s/n 170320000001	11102	NUT-HEX 6-32
35557	sealing SCREW, 10-24 x .50 after s/n 170320000001	11052	sealing, cap screw, 10-24 x .50 After s/n 170320000001
11495	WASHER, NYLON NO. 10	35557	sealing SCREW, 10-24 x .50 after s/n 170320000001
14820	WASHER, KEYED	11495	WASHER, NYLON NO. 10
37696	KNOB, PLASTIC, FIVE ARM, 1/4-20 INSERT	14820	WASHER, KEYED
12103	FOOT, BLACK RUBBER 0.75" DIAM	37696	KNOB, PLASTIC, FIVE ARM, 1/4-20 INSERT
11138	SCREW-MACH-PH-PHIL 8-32 X .38	12103	FOOT, BLACK RUBBER 0.75" DIAM
		11138	SCREW-MACH-PH-PHIL 8-32 X .38

SEE THE SERVICE MANUAL FOR ADDITIONAL DETAILS AND CURRENT INFORMATION



FB7200 NEMA 4X Panel Mount Parts List (37541)

FB7200 NEMA 4X Panel Mount Parts List (37543)

Part #	Description	Part #	Description
38730	FRONT PANEL ASSY, 7200-HPL	38730	FRONT PANEL ASSY, 7200-HPL
37352	DISPLAY,7.0" FB7100SS-NO TOUCH	37352	DISPLAY,7.0" FB7100SS-NO TOUCH
38705	OVERLAY, FB7200 WASHDOWN, W/ TOUCH	38705	OVERLAY, FB7200 WASHDOWN, W/ TOUCH
37447	MEMORY CARD, MICRO SD, 8GB	37447	MEMORY CARD, MICRO SD, 8GB
37351	PCB SUPPORT, .187 HT, ADHESIVE MOUNT	37351	PCB SUPPORT, .187 HT, ADHESIVE MOUNT
11339	WASHER, PLAIN FLAT(NYLON) NO.8	11339	WASHER, PLAIN FLAT(NYLON) NO.8
10200	WASHER, LOCK EXT TOOTH NO. 4	10200	WASHER, LOCK EXT TOOTH NO. 4
13176	SCREW, MACHINE, PAN HEAD, M3 X 5	13176	SCREW, MACHINE, PAN HEAD, M3 X 5
37695	SPACER, ROUND, #6 X .406 LONG, PLASTIC	37695	SPACER, ROUND, #6 X .406 LONG, PLASTIC
10103	NUT, HEX 6-32	10103	NUT, HEX 6-32
37480	CABLE ASSY, TOUCH EXTENSION	37480	CABLE ASSY, TOUCH EXTENSION
31274	PCB ASSY & CONFIG,PROCESSOR BD	31274	PCB ASSY & CONFIG,PROCESSOR BD
37446	FLAT FLEX JUMPER,50 POS,3"	37446	FLAT FLEX JUMPER,50 POS,3"
37559	LABEL, FFC CONNECTOR CAUTION	37559	LABEL, FFC CONNECTOR CAUTION
18432	SPACER, HEX, 6-32 X .88 ALUMINUM	18432	SPACER, HEX, 6-32 X .88 ALUMINUM
10310	WASHER, PLAIN NO.6	10310	WASHER, PLAIN NO.6
37280	FLASH PROGRAM, FB7200 PROCESSOR BOARD	37280	FLASH PROGRAM, FB7200 PROCESSOR BOARD
32677	GASKET, TOP & BOTTOM	32677	GASKET, TOP & BOTTOM
32678	GASKET,SIDE	32678	GASKET,SIDE
37474	PCB ASSY,MAIN, ANALOG FB7102	37476	* INTALOGIX BREAK OUT BOARD
37361	PCB, ASSY AND CONFIG, EXPANSION	37267	PCB ASSY & CONFIG,QLC BREAKOUT
32557	USB GASKET	37361	PCB, ASSY AND CONFIG, EXPANSION
32556	USB COVER	32557	USB GASKET
11052	sealing, cap screw, 10-24 x .50 After s/n 170320000001	32556	USB COVER
38707	COVER, FB7200 HPL	11052	sealing, cap screw, 10-24 x .50 After s/n 170320000001
38706	BASE ASSY, FB7200 HPL	38707	COVER, FB7200 HPL
12431	SCREW, SEALING	38706	BASE ASSY, FB7200 HPL
19454	PLUG D-HOLE	12431	SCREW, SEALING
17534	CONNECTOR, LIQUID TIGHT .3"	19454	PLUG D-HOLE
31093	SCREW,MACH,PAN HEAD,PHIL KB	17534	CONNECTOR, LIQUID TIGHT .3"
37530	CABLE ASSEMBLY EXPANSION BOARD	31093	SCREW,MACH,PAN HEAD,PHIL KB
11495	WASHER, NYLON NO. 10	37530	CABLE ASSEMBLY EXPANSION BOARD
11053	SCR-MACH-HEX HD UNC	11495	WASHER, NYLON NO. 10
37353	CABLE ASSY,USB PNL MT TO USB 90,TYPE A,25CM	11053	SCR-MACH-HEX HD UNC
11191	WASHER-LOCK-EXT TOOTH NO. 6	37353	CABLE ASSY,USB PNL MT TO USB 90,TYPE A,25CM
11102	NUT-HEX 6-32	11191	WASHER-LOCK-EXT TOOTH NO. 6
15131	POWER CORD ASSEMBLY	11102	NUT-HEX 6-32
		15131	POWER CORD ASSEMBLY

SEE THE SERVICE MANUAL FOR ADDITIONAL DETAILS AND CURRENT INFORMATION



FB2560

FB2560 Desktop Parts List (36970)

FB2560 NEMA 4X Parts List (37040)

Part #	Description	Part #	Description
35137	BASE,FB25XX INSTRUMENT	31130	ENCLOSURE ASSY, FB2560 WASHDOWN
17534	CONNECTOR, LIQUID TIGHT .3"	31144	BRACKET,POWER SUPPLY
12366	PLUG, HOLE	31145	BRACKET,DISPLAY MOUNTING
19454	PLUG D-HOLE	37039	PLATE ASSY, HEATSINK
30951	BUSHING, STRAIN RELIEF, .625 HOLE	31146	BRACKET, JERSEY JUMPER
19170	SPACER, HEX, 6-32 X 3.875	36973	SBC ASSY GEN 4 W/HEATSINK &RAM
32631	PWR SUPPLY,+5VDC 6A,+12VDC 3A	29900	EXPANSION PCB
30824	FB2550/58/60 DISPLAY BRCKT	29907	MULTI-FUNCTION PCB
30903	DISPLAY,7.0" WVGA LED W/TOUCH	36976	FLASH DISK MODULE ASSY -FB2560
12103	FOOT, BLACK RUBBER 0.75" DIAM	37038	KEYBOARD W/TOUCHPANEL,FB2560
30814	COVER,2550/58/60 DESKTOP	31766	DISPLAY,7.0" WVGA LED
36971	I/O SHIELD,FB2560	32631	PWR SUPPLY,+5VDC 6A,+12VDC 3A
36972	LABEL, REAR PANEL, FB2560	17412	CONNECTOR,FEMALE 2P SRH
29907	MULTI-FUNCTION PCB	13176	SCREW, MACHINE, PAN HEAD, M3 X 5
36973	SBC ASSY GEN 4 W/HEATSINK &RAM	11192	WASHER-LOCK-EXT TOOTH NO. 4
18320	SPACER,HEX - DMS	11104	NUT-HEX 8-32
36974	PLATE ASSY,HEAT SPREADER	11188	WASHER-LOCK-EXT TOOTH, NO. 8
31096	WIRE HOLDER ADHESIVE BACK KB	11126	WASHER-PLAIN- NO.8
33210	DRIVE,mSATA	11660	SPACER, HEX, .25 X .25 HEX, ALUMINUM
30953	LABEL, CAUTION, HEAT SPREADER PLATE	11191	WASHER-LOCK-EXT TOOTH NO. 6
36975	WINDOWS 10 ENTERPRISE IOT ENTRY LICENSE	29966	CARD GUIDE
17412	CONNECTOR,FEMALE 2P SRH	11996	SPACER,HEX, FOUR, 6-32 X 1.75
30823	FRONT PANEL FB2550/58 INSTRMNT	30483	SPACER, .25 HEX, 6-32 X 1.50
11662	SPACER, HEX, 6-32 X .375	27997	SEAL BLOCK
11339	WASHER, PLAIN FLAT(NYLON) NO.8	28001	CABLE CLAMP BRACKET
11263	CLIP,CABLE	11106	NUT-HEX 4-40
17624	CLIP, CABLE	12342	GASKET-ZERO PUSHBUTTON
29900	EXPANSION PCB	17534	CONNECTOR, LIQUID TIGHT .3"
29966	CARD GUIDE	28297	PLATE,COVER USB
15991	GASKET, BLUE-GRAY, 0.5W X 0.18THK	28298	GASKET FOR USB ACCESS COVER
36976	FLASH DISK MODULE ASSY -FB2560	11075	sealing, cap screw. 10-32 x .50, before s/n 170320000001
24366	LABEL, GROUND SYMBOL	11495	WASHER, NYLON NO. 10
29081	ETL MARK LABEL	31139	BRACKET,DESK MOUNT
15656	NAMEPLATE, VARIOUS	15745	KNOB, SS
17589	SPACER 4-40 x .25	12621	WASHER,RETAINER FOR KNOB
11495	WASHER, NYLON NO. 10	18320	SPACER,HEX - DMS
13468	SEALING SCREW 8-32 x .50	28971	SPACER,HEX
10902	SCREW-MACH-PH-PHIL 8-32 X .375	30953	LABEL, CAUTION, HEAT SPREADER PLATE
31093	SCREW,MACH,PAN HEAD,PHIL KB	36975	WINDOWS 10 ENTERPRISE IOT ENTRY LICENSE



10306	SCREW, MACH-fH-PHIL 6-32 x.375	10106	NUT-HEX
10200	WASHER, LOCK EXT TOOTH NO. 4	10203	WASHER, LOCK EXT TOOTH NO. 10
10889	SCREW-MACH-PH-PHIL 4-40 x .25	31143	BRACKET ASSY, SECURITY SEAL
10202	WASHER, LOCK EXT TOOTH NO. 8	14083	sealing SCREW, 10-32 x .50 before s/n 170320000001
10104	NUT, HEX 8-32	14820	WASHER, KEYED
22003	LABEL	31141	COVER, WASHDOWN INSTRUMENT
30816	POWER CORD ASSY	31140	GASKET, WASHDOWN INSTRUMENT
36978	CABLE ASSY,LVDS,NF9M FB2560	15656	NAMEPLATE, VARIOUS
30799	DC POWER CABLE ASSY, 12V,5V	29081	ETL MARK LABEL
30806	CABLE ASSY, TOUCHSCREEN FB255X	24366	LABEL, GROUND SYMBOL
P/O 36976	CABLE ASSY, FLASH DISK POWER	25271	TAPE,GRAY NAMEPLATE REPAIR 15'
36979	CABLE ASSY,+12 VDC & +5 VDC TO SBC & MULTI FUNCTION PCB	15991	GASKET, BLUE-GRAY, 0.5W X 0.18THK
30827	SBC-USB TO SERIAL CABLE ASSY	31093	SCREW,MACH,PAN HEAD,PHIL KB
31211	CABLE ASSY, MULTI FUNCTION PCB	33210	DRIVE,mSATA
37019	KEYBD ADHESIVE BACKED FB2560	25355	VENT,MEMBRANE
30810	SERIAL INTERFACE CABLE ASSY	25356	NUT,VENT
30942	TAPE, VINYL FOAM	12103	FOOT, BLACK RUBBER 0.75" DIAM
35362	POWER BUTTON ASSY	11138	SCREW-MACH-PH-PHIL 8-32 X .38
11020	BUSHING-STRAIN RELIEF	11339	WASHER, PLAIN FLAT(NYLON) NO.8
12189	SEAL, HEAVY METER	22003	LABEL
11193	LABEL, CLS/SECTIONAL CAPACITY	31096	WIRE HOLDER ADHESIVE BACK KB
34971	MANUAL CARD	30816	POWER CORD ASSY
51311	QUICK FB2560 INSTALLATION PROGRAMMING GUIDE	36978	CABLE ASSY,LVDS,NF9M FB2560
		30799	DC POWER CABLE ASSY, 12V,5V
		P/O 36976	CABLE ASSY, FLASH DISK POWER
		34332	CABLE ASSY,USB PANEL MOUNT
		36979	CABLE ASSY,+12 VDC & +5 VDC TO SBC & MULTI FUNCTION PCB
		34823	CABLE ASSY,FB4000,SBC-USB TO
		37142	CABLE ASSY,USB3 TO MFD,12.5"
		30810	SERIAL INTERFACE CABLE ASSY
		35362	POWER BUTTON ASSY
		11193	LABEL, CLS/SECTIONAL CAPACITY
		51311	QUICK FB2560 INSTALLATION PROGRAMMING GUIDE
		11176	BUSHING AMPHENOL RUBBER
		12189	SEAL, HEAVY METER
		34971	MANUAL CARD

SEE THE SERVICE MANUAL FOR ADDITIONAL DETAILS AND CURRENT INFORMATION



FB2560 NEMA 4X Panel Mount Parts List (37042)

FB2560 Rack Mount Parts List (37043)

Part #	Description	Part #	Description
36298	BASE ASSY, 2560, HPL, RCK, DAT	36298	BASE ASSY, 2560, HPL, RCK, DAT
31056	COVER, 2560 HPL	36974	PLATE ASSY,HEAT SPREADER
31367	PANEL ASSY, HOSTILE 2560	10106	NUT-HEX
31118	BRACKET, DISPLAY 2560 INSTRUMENT	10203	WASHER, LOCK EXT TOOTH NO. 10
10106	NUT-HEX	31174	DRAWER, INSTRUMENT
10203	WASHER, LOCK EXT TOOTH NO. 10	32631	PWR SUPPLY,+5VDC 6A,+12VDC 3A
31766	DISPLAY,7.0" WVGA LED	10889	SCREW-MACH-PH-PHIL 4-40 x .25
11339	WASHER, PLAIN FLAT(NYLON) NO.8	10200	WASHER, LOCK EXT TOOTH NO. 4
11660	SPACER, HEX, .25 X .25 HEX, ALUMINUM	19454	PLUG D-HOLE
37038	KEYBOARD W/TOUCHPANEL,FB2560	31175	FACEPLATE ASSY, FB2560 RACK MOUNT
29907	MULTI-FUNCTION PCB	18246	BRACKET, PANEL MTG
31093	SCREW,MACH,PAN HEAD,PHIL KB	17534	CONNECTOR, LIQUID TIGHT .3"
29900	EXPANSION PCB	15656	NAMEPLATE, VARIOUS
32631	PWR SUPPLY,+5VDC 6A,+12VDC 3A	29081	ETL MARK LABEL
10200	WASHER, LOCK EXT TOOTH NO. 4	36971	I/O SHIELD,FB2560
10889	SCREW-MACH-PH-PHIL 4-40 x .25	17589	SPACER 4-40 x .25
31227	GASKET, TOP AND BOTTOM, 2560	11104	NUT-HEX 8-32
31228	GASKET, SIDE PIECE, 2560	11188	WASHER-LOCK-EXT TOOTH, NO. 8
29966	CARD GUIDE	13468	SEALING SCREW 8-32 x .50
36971	I/O SHIELD,FB2560	11339	WASHER, PLAIN FLAT(NYLON) NO.8
17589	SPACER 4-40 x .25	30903	DISPLAY,7.0" WVGA LED W/TOUCH
28297	PLATE,COVER USB	30824	FB2550/58/60 DISPLAY BRCKT
28298	GASKET FOR USB ACCESS COVER	11662	SPACER, HEX, 6-32 X .375
11495	WASHER, NYLON NO. 10	24366	LABEL, GROUND SYMBOL
11076	SCR-MACH-HEX HD UNF	31176	COVER, DRAWER
36972	LABEL, REAR PANEL, FB2560	12366	PLUG, HOLE
19454	PLUG D-HOLE	30951	BUSHING, STRAIN RELIEF, .625 HOLE
17534	CONNECTOR, LIQUID TIGHT .3"	36973	SBC ASSY GEN 4 W/HEATSINK &RAM
12366	PLUG, HOLE	31093	SCREW,MACH,PAN HEAD,PHIL KB
11020	BUSHING-STRAIN RELIEF	18320	SPACER,HEX - DMS
11027	BUSHING, STRAIN RELIEF	36976	FLASH DISK MODULE ASSY -FB2560
18320	SPACER,HEX - DMS	36972	LABEL, REAR PANEL, FB2560
30953	LABEL, CAUTION, HEAT SPREADER PLATE	31096	WIRE HOLDER ADHESIVE BACK KB
36975	WINDOWS 10 ENTERPRISE IOT ENTRY LICENSE	29907	MULTI-FUNCTION PCB
31096	WIRE HOLDER ADHESIVE BACK KB	29900	EXPANSION PCB
17412	CONNECTOR,FEMALE 2P SRH	29966	CARD GUIDE
13468	SEALING SCREW 8-32 x .50	30953	LABEL, CAUTION, HEAT SPREADER PLATE
15656	NAMEPLATE, VARIOUS	36975	WINDOWS 10 ENTERPRISE IOT ENTRY LICENSE
29081	ETL MARK LABEL	37019	KEYBD ADHESIVE BACKED FB2560
11224	NAMEPLATE, 6 X 1.5 SS	35362	POWER BUTTON ASSY



24366	LABEL, GROUND SYMBOL	31273	USB PANEL MOUNT CABLE ASSY
36976	FLASH DISK MODULE ASSY -FB2560	P/O 36976	CABLE ASSY, FLASH DISK POWER
36973	SBC ASSY GEN 4 W/HEATSINK &RAM	30816	POWER CORD ASSY
33210	DRIVE,mSATA	36978	CABLE ASSY,LVDS,NF9M FB2560
36974	PLATE ASSY,HEAT SPREADER	30799	DC POWER CABLE ASSY, 12V,5V
P/O 36976	CABLE ASSY, FLASH DISK POWER	30806	CABLE ASSY, TOUCHSCREEN FB255X
35362	POWER BUTTON ASSY	30810	SERIAL INTERFACE CABLE ASSY
30951	BUSHING, STRAIN RELIEF, .625 HOLE	36979	CABLE ASSY,+12 VDC & +5 VDC TO SBC & MULTI FUNCTION PCB
10202	WASHER, LOCK EXT TOOTH NO. 8	34823	CABLE ASSY,FB4000,SBC-USB TO
10104	NUT, HEX 8-32	36980	CABLE ASSY,USB3 TO MFD
30816	POWER CORD ASSY	33210	DRIVE,mSATA
36978	CABLE ASSY,LVDS,NF9M FB2560	22003	LABEL
30799	DC POWER CABLE ASSY, 12V,5V	17624	CLIP, CABLE
30810	SERIAL INTERFACE CABLE ASSY	17412	CONNECTOR,FEMALE 2P SRH
36979	CABLE ASSY,+12 VDC & +5 VDC TO SBC & MULTI FUNCTION PCB	15991	GASKET, BLUE-GRAY, 0.5W X 0.18THK
34823	CABLE ASSY,FB4000,SBC-USB TO	12431	SCREW, SEALING
36980	CABLE ASSY,USB3 TO MFD	30942	TAPE, VINYL FOAM
34332	CABLE ASSY,USB PANEL MOUNT	11020	BUSHING-STRAIN RELIEF
22003	LABEL	34971	MANUAL CARD
15991	GASKET, BLUE-GRAY, 0.5W X 0.18THK	51311	QUICK FB2560 INSTALLATION PROGRAMMING GUIDE
12189	SEAL, HEAVY METER	11193	LABEL, CLS/SECTIONAL CAPACITY
34971	MANUAL CARD	12189	SEAL, HEAVY METER
51311	QUICK FB2560 INSTALLATION PROGRAMMING GUIDE		
11193	LABEL, CLS/SECTIONAL CAPACITY		
11086	SCREW-MACH HEX HD 10-32		

SEE THE SERVICE MANUAL FOR ADDITIONAL DETAILS AND CURRENT INFORMATION

Electronic Components

Part #	Description
30917	EXPANSION CARD ACCESSORY KIT
29900	EXPANSION PCB
30799	DC POWER CABLE ASSY, 12V,5V
29966	CARD GUIDE
30919	4-20mA-(PASSIVE) KIT
30738	4-20MA PASSIVE CARD
29966	CARD GUIDE
33258	4-20mA (ACTIVE) KIT
33252	4-20MA ACTIVE CARD
29966	CARD GUIDE
30920	RELAY-I/O INTERFACE CARD KIT
30757	RELAY CARD PCB (PCB ONLY)
30921	SERIAL EXPANSION PCB ASSY KIT
30795	- Serial Expansion Board (card only)
31211	CABLE ASSY, MULTI FUNCTION PCB
30937	RS485 OUTPUT ACCESSORY

Ethernet Switches

Part #	Description
30917	EXPANSION CARD ACCESSORY KIT
29900	EXPANSION PCB

Ethernet Bridges

Part #	Description
30917	EXPANSION CARD ACCESSORY KIT
29900	EXPANSION PCB

Scale Communications

Part #	Description
31079	INTERNAL ANALOG LOADCELL INTRF
30997	ANALOG SCALE INTERFACE (ASC)
30944	INTERNAL INTALOGIX INTERFACE - FIELD INSTALLED
30002	INTALOGIX SCALE INTERFACE -SIC
30713	INTALOGIX COMM / POWER SUPPLY
30812	CABLE ASSY,COMMUNICATION RS485
30813	CABLE ASSY,AC TO COMMUNICATION
29966	CARD GUIDE

Fieldbus Interface Kits (only one kit per instrument)

Part #	Description
30922	PROFIBUS ACC - FIELD INSTALLED
30923	DEVICENET ACC -FIELD INSTALLED
30924	CONTROLNET ACC-FIELD INSTALLED
30925	MODBUS-RTU ACC-FIELD INSTALLED
31974	ETHERNET/IP ACC-FIELDINSTALLED

Fieldbus Components List

PROFIBUS (30922)

Part #	Description
29866	PCB ASSY,COM I/O DT7000 GATEWA
29575	PROFIBUS Plug-in Module
30821	Cable Assy, +12 VDC Supply on SBC to Fieldbus Module
30828	Cable Assy, SBC to Fieldbus Module
24001	SPACER, ALUM, HEX
17582	STANDOFF MALE/FEMALE
10888	SCREW-MACH-PH-PHIL
10919	WASHER-LOCK-INT TTH

DEVICENET (30923)

Part #	Description
29866	PCB ASSY,COM I/O DT7000 GATEWA
29577	MODULE,DEVICENET PLUG-IN
30821	Cable Assy, +12 VDC Supply on SBC to Fieldbus Module
30828	Cable Assy, SBC to Fieldbus Module
24001	SPACER, ALUM, HEX
17582	STANDOFF MALE/FEMALE
10888	SCREW-MACH-PH-PHIL
10919	WASHER-LOCK-INT TTH

CONTROLNET (30924)

Part #	Description
29866	PCB ASSY,COM I/O DT7000 GATEWA
29864	Controlnet Plug-in Module
30821	Cable Assy, +12 VDC Supply on SBC to Fieldbus Module
30828	Cable Assy, SBC to Fieldbus Module
24001	SPACER, ALUM, HEX
17582	STANDOFF MALE/FEMALE
10888	SCREW-MACH-PH-PHIL
10919	WASHER-LOCK-INT TTH

MODBUS - RTU (30925)

Part #	Description
29866	PCB ASSY,COM I/O DT7000 GATEWA
29865	MODBUS-RTU PLUG-IN MODULE
30821	Cable Assy, +12 VDC Supply on SBC to Fieldbus Module
30828	Cable Assy, SBC to Fieldbus Module
24001	SPACER, ALUM, HEX
17582	STANDOFF MALE/FEMALE
10888	SCREW-MACH-PH-PHIL
10919	WASHER-LOCK-INT TTH

SEE THE SERVICE MANUAL FOR ADDITIONAL DETAILS AND CURRENT INFORMATION



FB4000

FB4000 Desktop Parts List (W10)

FB4000 Desktop Parts List (Ver 8.1)

Part #	Description	Part #	Description
10104	NUT, HEX 8-32		BASE ASSY, FB4000 DESKTOP
10200	WASHER, LOCK EXT TOOTH NO. 4	33882	PLATE,MOUNTING,INTALOGIX 4000
10202	WASHER, LOCK EXT TOOTH NO. 8	36974	PLATE ASSY,HEAT SPREADER
10310	WASHER, PLAIN NO.6	33688	COVER, FB4000 DESKTOP
10889	SCREW-MACH-PH-PHIL 4-40 x .25	33689	PANEL ASSY,FRONT
10902	SCREW-MACH-PH-PHIL 8-32 X .375	33951	OVERLAY,FB4000 DESK UNIT
11020	BUSHING-STRAIN RELIEF	33855	BRACKET ASSY,TOUCHPANEL PCB
11106	NUT-HEX 4-40	33479	DISPLAY ASSY,10.4"COLOR FB3000
11192	WASHER-LOCK-EXT TOOTH NO. 4	33971	PCB ASSY,SBC ATOM WITH MEMORY
11219	SCREW, FLAT HEAD, PH, 4-40 X .250, 55	36973	SBC ASSY GEN 4 W/HEATSINK &RAM
11273	SPACER,ROUND	29900	EXPANSION PCB
11495	WASHER, NYLON NO. 10	24888	PCB ASSY,CONTROLLER,TOUCH PNL
12103	FOOT, BLACK RUBBER 0.75" DIAM		PWR SUPPLY,+5VDC 6A,+12VDC 3A
12366	PLUG, HOLE	30816	POWER CORD ASSY
13468	SEALING SCREW 8-32 x .50	33934	CABLE ASSY,LVDS
17534	CONNECTOR, LIQUID TIGHT .3"	38578	Cable assy, lvds (w10)
17562	SPACER, .25 HEX, M/F 4-40 X .50 LONG		CABLE ASSY,USB TOUCH PANEL
17589	SPACER 4-40 x .25	30810	SERIAL INTERFACE CABLE ASSY
17613	TIE, WIRE, 4"	33936	CABLE ASSY,SBC POWER
17617	CABLE HOLDER	38421	Cable assy, +12 vdc & +5 vdc POWER (W10)
18320	SPACER,HEX - DMS	34823	CABLE ASSY,FB4000,SBC-USB TO
19454	PLUG D-HOLE		CABLE ASSY,LED BACKLIGHT 10.4,
24888	PCB ASSY,CONTROLLER,TOUCH PNL	38577	Cable assy, led backlight (w10)
25271	TAPE,GRAY NAMEPLATE REPAIR 15'	31211	CABLE ASSY, MULTI FUNCTION PCB
25498	MINI KEYBOARD (USB)	36980	CABLE ASSY,USB3 TO MFD
25553	SPACER,ALUM HEX KB	33378	CABLE ASSY,SBC POWER LED
26057	NUT, HEX, NYLON STOP, #4-40, 55		FOOT, BLACK RUBBER 0.75" DIAM
26058	WASHER,PLAIN FLAT KB	10902	SCREW-MACH-PH-PHIL 8-32 X .375
26387	OPTICAL USB MOUSE*	31093	SCREW,MACH,PAN HEAD,PHIL KB
29900	EXPANSION PCB	11273	SPACER,ROUND
30810	SERIAL INTERFACE CABLE ASSY	10306	SCREW, MACH-FH-PHIL 6-32 x.375
30816	POWER CORD ASSY	11219	SCREW, FLAT HEAD, PH, 4-40 X .250, 55
30951	BUSHING, STRAIN RELIEF, .625 HOLE	10200	WASHER, LOCK EXT TOOTH NO. 4
30953	LABEL, CAUTION, HEAT SPREADER PLATE		SEALING SCREW 8-32 x .50
31093	SCREW,MACH,PAN HEAD,PHIL KB	10104	NUT, HEX 8-32
31096	WIRE HOLDER ADHESIVE BACK KB	10202	WASHER, LOCK EXT TOOTH NO. 8
32631	PWR SUPPLY,+5VDC 6A,+12VDC 3A	11495	WASHER, NYLON NO. 10
33479	DISPLAY ASSY,10.4"COLOR FB3000	26058	WASHER,PLAIN FLAT KB
33688	COVER, FB4000 DESKTOP	26057	NUT, HEX, NYLON STOP, #4-40, 55
33689	PANEL ASSY,FRONT	33952	label, rear panel (W8.1)
33691	BASE ASSY, FB4000 DESKTOP	36972	LABEL, REAR PANEL, FB2560



33697	SPACER, HEX, 1/4" X 5.0", 6-32 X .38" DP BOTH ENDS	30953	LABEL, CAUTION, HEAT SPREADER PLATE
33855	BRACKET ASSY, TOUCHPANEL PCB	25553	SPACER, ALUM HEX KB
33935	CABLE ASSY, USB TOUCH PANEL	22003	LABEL
33951	OVERLAY, FB4000 DESK UNIT	17534	CONNECTOR, LIQUID TIGHT .3"
34823	CABLE ASSY, FB4000, SBC-USB TO	30951	BUSHING, STRAIN RELIEF, .625 HOLE
34831	MOUSE PAD, 6x8" VYNEX HARD TOP	19454	PLUG D-HOLE
34941	PCB ASSY, USB EXPANSION HUB	33975	FLASH DISK MODULE FB4000
34971	MANUAL CARD	38601	FLASH DISK MODULE ASSY, FB4000 (W10)
35136	MINI PCIe DISK MODULE 8GB,	11219	SCREW, FLAT HEAD, PH, 4-40 X .250, 55
36971	I/O SHIELD, FB2560	18320	SPACER, HEX - DMS
36972	LABEL, REAR PANEL, FB2560	33697	SPACER, HEX, 1/4" X 5.0", 6-32 X .38" DP BOTH ENDS
36973	SBC ASSY GEN 4 W/HEATSINK & RAM		PLUG, HOLE
36974	PLATE ASSY, HEAT SPREADER	25271	TAPE, GRAY NAMEPLATE REPAIR 15'
36980	CABLE ASSY, USB3 TO MFD	24366	LABEL, GROUND SYMBOL
37298	FLAT HD SCREW, SS, UNDERCUT 6-32 X .375	29966	CARD GUIDE
38421	Cable assy, +12 vdc & +5 vdc POWER (W10)	31096	WIRE HOLDER ADHESIVE BACK KB
38577	Cable assy, led backlight (w10)		MOUSE PAD, 6x8" VYNEX HARD TOP
38578	Cable assy, lvds (w10)	26387	OPTICAL USB MOUSE*
38601	FLASH DISK MODULE ASSY, FB4000 (W10)	25498	MINI KEYBOARD (USB)
			BATTERY, RECHARGEABLE SEALED
		11020	BUSHING-STRAIN RELIEF
		12189	SEAL, HEAVY METER
		11193	LABEL, CLS/SECTIONAL CAPACITY
		34941	PCB ASSY, USB EXPANSION HUB
		17562	SPACER, .25 HEX, M/F 4-40 X .50 LONG
		11106	NUT-HEX 4-40
		11191	WASHER-LOCK-EXT TOOTH NO. 6
		17613	TIE, WIRE, 4"
		35136	MINI PCIe DISK MODULE 8GB,

SEE THE SERVICE MANUAL FOR ADDITIONAL DETAILS AND CURRENT INFORMATION

FB4000 NEMA 4X Parts List (W10)

FB4000 NEMA 4X Parts List (Ver 8.1)

Part #	Description	Part #	Description
11075	sealing, cap screw. 10-32 x .50, before s/n 170320000001		ENCLOSURE ASSY FOR 4000 WASHDOWN
11103	NUT-HEX 10-32	31144	BRACKET,POWER SUPPLY
11104	NUT-HEX 8-32	33576	PANEL ASSY FOR 4000 WASHDOWN
11106	NUT-HEX 4-40	33576	PANEL ASSY FOR 4000 WASHDOWN
11126	WASHER-PLAIN- NO.8	27977	DISPLAY SEAL
11138	SCREW-MACH-PH-PHIL 8-32 X .38	25271	TAPE,GRAY NAMEPLATE REPAIR 15'
11149	SCR-MACH-PH-PHIL- 4-40 X .375	33479	DISPLAY ASSY,10.4"COLOR FB3000
11176	BUSHING AMPHENOL RUBBER	33971	PCB ASSY,SBC ATOM WITH MEMORY
11188	WASHER-LOCK-EXT TOOTH, NO. 8	36973	SBC ASSY GEN 4 W/HEATSINK &RAM
11189	WASHER, LOCK EXT TOOTH NO. 10	29900	EXPANSION PCB
11191	WASHER-LOCK-EXT TOOTH NO. 6	24888	PCB ASSY,CONTROLLER,TOUCH PNL
11192	WASHER-LOCK-EXT TOOTH NO. 4	32631	PWR SUPPLY,+5VDC 6A,+12VDC 3A
11272	SPACER	30816	POWER CORD ASSY
11273	SPACER,ROUND	33934	CABLE ASSY,LVDS
11495	WASHER, NYLON NO. 10	38578	Cable assy, lvds (w10)
11998	SPACER,HEX	33935	CABLE ASSY,USB TOUCH PANEL
12103	FOOT, BLACK RUBBER 0.75" DIAM	30810	SERIAL INTERFACE CABLE ASSY
12189	SEAL, HEAVY METER	33936	CABLE ASSY,SBC POWER
12342	GASKET-ZERO PUSHBUTTON	38421	Cable assy, +12 vdc & +5 vdc POWER (W10)
12621	WASHER,RETAINER FOR KNOB	30827	SBC-USB TO SERIAL CABLE ASSY
13176	SCREW, MACHINE, PAN HEAD, M3 X 5	37142	CABLE ASSY,USB3 TO MFD,12.5"
14083	sealing SCREW, 10-32 x .50 before s/n 170320000001	33933	CABLE ASSY,LED BACKLIGHT 10.4,
14820	WASHER, KEYED	38577	Cable assy, led backlight (w10)
15745	KNOB, SS	31273	USB PANEL MOUNT CABLE ASSY
17534	CONNECTOR, LIQUID TIGHT .3"	33424	CABLE ASSY,BATTERY,LONG
17562	SPACER, .25 HEX, M/F 4-40 X .50 LONG	33378	CABLE ASSY,SBC POWER LED
17566	SPACER,HEX	34332	CABLE ASSY,USB PANEL MOUNT
18320	SPACER,HEX - DMS	15991	GASKET, BLUE-GRAY, 0.5W X 0.18THK
24888	PCB ASSY,CONTROLLER,TOUCH PNL	33975	FLASH DISK MODULE FB4000
25271	TAPE,GRAY NAMEPLATE REPAIR 15'	38601	FLAH DISK MODULE ASSY, FB4000 (W10)
25355	VENT,MEMBRANE	38601	FLAH DISK MODULE ASSY, FB4000 (W10)
25356	NUT,VENT	29966	CARD GUIDE
25553	SPACER,ALUM HEX KB	31096	WIRE HOLDER ADHESIVE BACK KB
26058	WASHER,PLAIN FLAT KB	28297	PLATE,COVER USB
27977	DISPLAY SEAL	28298	GASKET FOR USB ACCESS COVER
27997	SEAL BLOCK	27997	SEAL BLOCK
28001	CABLE CLAMP BRACKET	28001	CABLE CLAMP BRACKET
28297	PLATE,COVER USB	25355	VENT,MEMBRANE
28298	GASKET FOR USB ACCESS COVER	25356	NUT,VENT
28971	SPACER,HEX	24366	LABEL, GROUND SYMBOL
29081	ETL MARK LABEL	17534	CONNECTOR, LIQUID TIGHT .3"



29900	EXPANSION PCB	12342	GASKET-ZERO PUSHBUTTON
30810	SERIAL INTERFACE CABLE ASSY	22003	LABEL
30816	POWER CORD ASSY	33707	BRACKET ASSY, SECURITY SEAL
31093	SCREW,MACH,PAN HEAD,PHIL KB	34223	GASKET, BACK PANEL
31096	WIRE HOLDER ADHESIVE BACK KB	34224	COVER,BACK, FB4000 NEMA 4X
31139	BRACKET,DESK MOUNT	31139	BRACKET,DESK MOUNT
31144	BRACKET,POWER SUPPLY	33274	BRACKET,BAT,FB2550/58/60NEMA4X
32631	PWR SUPPLY,+5VDC 6A,+12VDC 3A	13176	SCREW, MACHINE, PAN HEAD, M3 X 5
33479	DISPLAY ASSY,10.4"COLOR FB3000	11150	SCREW,MACH PH PHIL 6-32 X .312
33576	PANEL ASSY FOR 4000 WASHDOWN	11075	sealing, cap screw. 10-32 x .50, before s/n 170320000001
33577	ENCLOSURE ASSY FOR 4000 WASHDOWN	14083	sealing SCREW, 10-32 x .50 before s/n 170320000001
33707	BRACKET ASSY, SECURITY SEAL	11106	NUT-HEX 4-40
33879	PLATE ASSY, HEATSINK FOR 4000 55	11104	NUT-HEX 8-32
33955	OVERLAY, 4000 HOSTILE UNIT	11103	NUT-HEX 10-32
34223	GASKET, BACK PANEL	11192	WASHER-LOCK-EXT TOOTH NO. 4
34224	COVER,BACK, FB4000 NEMA 4X	11191	WASHER-LOCK-EXT TOOTH NO. 6
34332	CABLE ASSY,USB PANEL MOUNT	11188	WASHER-LOCK-EXT TOOTH, NO. 8
34823	CABLE ASSY,FB4000,SBC-USB TO	11189	WASHER, LOCK EXT TOOTH NO. 10
34941	PCB ASSY, USB EXPANSION HUB	11495	WASHER, NYLON NO. 10
34971	MANUAL CARD	14820	WASHER, KEYED
35136	MINI PCIe DISK MODULE 8GB,	11126	WASHER-PLAIN- NO.8
36973	SBC ASSY GEN 4 W/HEATSINK &RAM	26058	WASHER,PLAIN FLAT KB
37142	CABLE ASSY,USB3 TO MFD,12.5"	11998	SPACER,HEX
38421	Cable assy, +12 vdc & +5 vdc POWER (W10)	25553	SPACER,ALUM HEX KB
38577	Cable assy, led backlight (w10)	17566	SPACER,HEX
38578	Cable assy, lvds (w10)	28971	SPACER,HEX
38601	FLAH DISK MODULE ASSY, FB4000 (W10)	18320	SPACER,HEX - DMS
38837	CABLE ASSY, TOUCH SCREEN, FB4000	11272	SPACER
P/O 38601	CABLE ASSY, FLASH DISK POWER	12103	FOOT, BLACK RUBBER 0.75" DIAM
		11138	SCREW-MACH-PH-PHIL 8-32 X .38
		15745	KNOB, SS
		12621	WASHER,RETAINER FOR KNOB
		30953	LABEL, CAUTION, HEAT SPREADER PLATE
		33348	BATTERY,RECHARGEABLE SEALED
		11176	BUSHING AMPHENOL RUBBER
		12189	SEAL, HEAVY METER
		11193	LABEL, CLS/SECTIONAL CAPACITY
		35136	MINI PCIe DISK MODULE 8GB,

SEE THE SERVICE MANUAL FOR ADDITIONAL DETAILS AND CURRENT INFORMATION