

Truck Scales

Distributor Reference Guide

Heavy Capacity Accessories are limited to a 30% Discount
This includes: Rub Rails, Pit Coping, T-Belting, Dress Plates & Deck Runners

Important note:
Fairbanks product information located at the **Nexus** platform are updated more frequently and are the best source for current product information.

 <p>FAIRBANKS SCALES TYPE S DURABLE ACCURATE LEGENDARY</p>	 <p>FAIRBANKS SCALES TITAN Maximum Strength, Performance & Accuracy</p>
--	--



FAIRBANKS SCALES
TUNDRA
PIT TRUCK SCALE



FAIRBANKS SCALES
TALON
HY • HVX • STEEL DECK • FIELD POUR • LOW PROFILE • HIGHWAY SYSTEMS • PORTABLE • ABOVE GROUND • PIT FRIENDLY

Contents

Heavy Capacity Tools	3
Remote Configuration Device (RCD).....	3
Intalogix Test Box.....	3
Load Cell Simulator	3
Talon Steel Deck (HV & HVX) Truck Scale Info	4
Talon HV Steel Deck Scale Pricing.....	5
Talon HVX Steel Deck Scale Pricing.....	6
Cover Plates – Pit Friendly Talons:.....	6
Talon Field Pour Truck Scales Specs.....	8
Talon HV Field Pour Scale Pricing.....	9
Talon HVX Field Pour Scale Pricing.....	10
Talon Low Profile Truck Scale Information & Pricing.....	12
Talon HV Portable Vehicle (PV) Scale Information & Pricing.....	13
Talon Highway Systems Information	14
Talon Highway Systems Pricing.....	15
Talon HV & HVX Highway Systems Notes	15
Remote Display Tower for Highway Systems	16
EFSIC Upgrade Option for Highway Systems	17
Tundra XL & XLT Product Information	18
Tundra XL Field Pour Truck Scale Pricing	19
Tundra XLT Field Pour Truck Scale Pricing	20
Tundra Highway Systems Information & Pricing	21
Type “S” Information & Pricing.....	22
PALS (Portable Axle Load) Scales Information	23
PALS SD & SDX Pricing.....	24
Matrix Information.....	25
How to Build a MATRIX Vehicle Scale	26
Matrix Vehicle Scale System Accessories.....	27
Titan Steel Deck.....	28
Titan Notes:.....	29
Titan Steel Deck Pricing.....	30
Titan Portable Vehicle (PV) Scale	31
Trident Precast (Factory Poured) Concrete Deck Scale	32
Trident Precast (Factory Poured) Truck Scales Pricing	33



- Tracker VS & VSX Field Poured Concrete Deck Information 34
 - Tracker VS Pricing..... 35
 - Tracker VSX Pricing 36
 - Tracker Series Corrugate / Shoring Kits – VS & VSX..... 37
 - Tracker Series Truck Scale Rebar Kits for VS & VSX Models 38
- Heavy Capacity Lift Deck Scale..... 39
- Conversion Kits..... 40
 - Type “S” Series Accessories and Conversion Kits..... 40
 - Rocker Column Conversion Kits for Pits Scales 41
 - Generic Mettler Toledo DigiTOL™ cell to RC Load Cell Conversion Packages 42
- Truck Scale Options..... 43
 - Truck Scale Foundation Drawings 44
 - Rub Rails – Single Rail Design 45
 - Rub Rails – Dual Rail Design 46
 - Guardrail Restraint System 46
 - Truck Riser Plates 47
 - Truck Scale Approach Height - Tracker 47
 - Truck Scale Approach Heights – Talons & Tridents 48
 - Remote Displays..... 49
 - Coal Tar Undercoating Pricing & Information..... 50
 - Manholes 52
 - Safety Stairs..... 53
 - Deck Runners, Pit Coping and T-Belting..... 54
 - Dress Cover Plates..... 55
 - Load Cell Boots..... 56
 - Load Cell Locating Tools..... 56
 - Guide Posts 56
 - Analog Truck Scale Option 57
 - Traffic Lights & Traffic Light Accessories..... 58
 - Traffic Light Kits..... 59
 - Truck Scale Rental Program 60

The prices and product information in this catalog are for reference only.
 Please check the Fairbanks Nexus online catalog system for the most up to date information.



Heavy Capacity Tools

Remote Configuration Device (RCD)

Provides a temporary private wireless ethernet network to allow for remote FB6000, FB2560, FB7100 & FB4000 configuration and calibration from a hand-held wireless (802.11) device such as a phone or tablet.

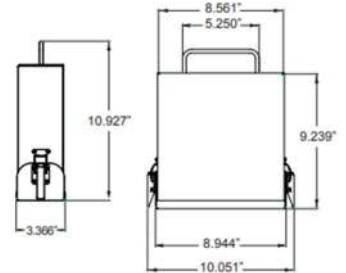
Specifications:

Enclosure - Blue Powder Coated Steel

Antenna Size – 7.5" x 7.5"

Antenna Range - Up to 3 miles line of sight

Frequency – 2.4 GHz

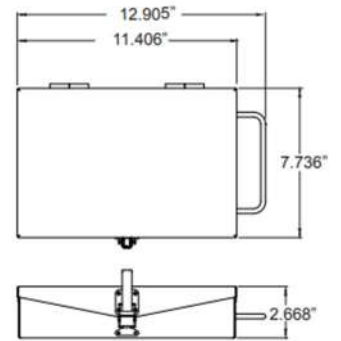


Product #	Description	List Price
35053	Remote Configuration Device (RCD)	\$589.16

Intalogix Test Box

Provides a Smart Sectional Controller board, Pit Power Supply board, interconnecting cable, and short home run cable in a self-contained enclosure for testing systems equipped with Intalogix Technology (SSCs).

Specifications: Enclosure – Yellow Powder Coated Steel



Note: Requires a simulator (not included).

Product #	Description	List Price
34850	Intalogix Test Box	\$875.00

Load Cell Simulator

Load Cell Simulator

Product #	Description	List Price
149150	FB16 LOAD CELL SIMULATOR	\$557.00



<h1 style="margin: 0;">Talon HV & HVX</h1>		Steel or Concrete Deck – Above Ground & Pit Friendly												
	<p>Talon’s structural steel construction is the foundation of its enduring strength. Its longevity is reinforced by Fairbanks’ innovative open bottom design which eliminates internal corrosion failures.</p> <p>Fairbanks’ Talon steel deck scales offer a choice in capacity and deck plate thickness. For the most robust, long term performance, a field pour concrete deck option is available for the most aggressive option.</p>													
Top Selling Model for Highway Type Trucks														
<table style="width: 100%; border-collapse: collapse;"> <tr> <td style="width: 30%;"></td> <td style="text-align: center;">Steel Deck</td> <td style="text-align: center;">Concrete Deck</td> </tr> <tr> <td>HV:</td> <td style="text-align: center;">1/4" deck plate (normal duty cycles)</td> <td style="text-align: center;">10" thick deck</td> </tr> <tr> <td></td> <td style="text-align: center;">(extreme duty cycles)</td> <td></td> </tr> <tr> <td>HVX:</td> <td style="text-align: center;">3/8" deck plate</td> <td style="text-align: center;">12" thick deck</td> </tr> </table>		Steel Deck	Concrete Deck	HV:	1/4" deck plate (normal duty cycles)	10" thick deck		(extreme duty cycles)		HVX:	3/8" deck plate	12" thick deck		
	Steel Deck	Concrete Deck												
HV:	1/4" deck plate (normal duty cycles)	10" thick deck												
	(extreme duty cycles)													
HVX:	3/8" deck plate	12" thick deck												
<p>Both options are available as Above Ground and Pit-Friendly Dump thru option available</p> <p>Stainless Steel deck available for corrosive chemical environments</p>														
<p>Applications: Waste Management, Agriculture, Concrete Plants, Timber, Demolition, Sand & Gravel, Moving & Shipping, Load Out Facilities</p>														
<h2 style="margin: 0;">Talon Steel Deck Truck Scales Specs</h2>														

SPECIFICATIONS	Talon HV Steel Deck	Talon HVX Steel Deck
CLC	90k	100k
Approach Height	18"	18"
Deck Plate Thickness	1/4"	3/8"
Deflection	1/1100	1/1300
eMin	10 lbs.	10 lbs
Foundation Type	Above Ground ONLY	Above Ground ONLY
Module Design	Orthotropic	Orthotropic
Module Construction	Structural Steel	Structural Steel
Module Under Structure	Open bottom with no enclosed areas	Open bottom with no enclosed areas
Number of Structural i-beams	9 (seven 12" & two 10")	9 (seven 12" & two 10")
Load Cell Specifications		
Load Cell Height	4.66"	4.66"
Load Cell Capacity	30t (66,000 lbs)	50t (110,000 lbs.)
Load Cell Type	Rocker Column	Rocker Column
Load Cell Sealing	Welded, hermetically sealed, gas filled	Welded, hermetically sealed, gas filled
Rating	IP69K	IP69K
Load Cell Resistance	1,000 ohms	1,000 ohms
Load Cell Output	2.0 mV/V	2.0 mV/V
Excitation	4 to 24 VDC	4 to 24 VDC
Ultimate Overload	300%	300%
Load Cell Cable Length	15 feet	15 feet
Load Cell Cable Protection	Stainless Steel Braid ArmourGuard	Stainless Steel Braid ArmourGuard
Load Cell Protection	Stainless Steel, Hermetically Sealed	Stainless Steel, Hermetically Sealed



Talon HV Steel Deck Truck Scales w/ Flintec Load Cells

Product #	Description	Capacity	Length	Width	Modules	Sections	Weight	List Price
262010	TALON HV STEEL DECK - 10' X 10' W/ FLINTEC CELL	60 ton	10'	10'	1	2	3,948	\$25,824.00
262110	TALON HV STEEL DECK - 10' X 11' W/ FLINTEC CELL	60 ton	10'	11'	1	2	4,358	\$28,561.00
262015	TALON HV STEEL DECK - 15' X 10' W/ FLINTEC CELL	60 ton	15'	10'	1	2	5,166	\$30,356.00
262115	TALON HV STEEL DECK - 15' X 11' W/ FLINTEC CELL	60 ton	15'	11'	1	2	5,691	\$33,595.00
262020	TALON HV STEEL DECK - 20' X 10' W/ FLINTEC CELL	60 ton	20'	10'	1	2	7,164	\$35,407.00
262120	TALON HV STEEL DECK - 20' X 11' W/ FLINTEC CELL	60 ton	20'	11'	1	2	7,872	\$38,021.00
262023	TALON HV STEEL DECK - 23' X 10' W/ FLINTEC CELL	60 ton	23'	10'	1	2	8,027	\$37,752.00
262123	TALON HV STEEL DECK - 23' X 11' W/ FLINTEC CELL	60 ton	23'	11'	1	2	8,759	\$40,590.00
262030	TALON HV STEEL DECK - 30' X 10' W/ FLINTEC CELL	90 ton	30'	10'	2	3	9,975	\$47,738.00
262130	TALON HV STEEL DECK - 30' X 11' W/ FLINTEC CELL	90 ton	30'	11'	2	3	10,972	\$46,562.00
262040	TALON HV STEEL DECK - 40' X 10' W/ FLINTEC CELL	90 ton	40'	10'	2	3	13,678	\$51,124.00
262140	TALON HV STEEL DECK - 40' X 11' W/ FLINTEC CELL	90 ton	40'	11'	2	3	15,058	\$52,183.00
262047	TALON HV STEEL DECK - 47' X 10' W/ FLINTEC CELL	90 ton	47'	10'	2	3	16,128	\$58,314.00
262147	TALON HV STEEL DECK - 47' X 11' W/ FLINTEC CELL	90 ton	47'	11'	2	3	17,548	\$63,032.00
262060	TALON HV STEEL DECK - 60' X 10' W/ FLINTEC CELL	120 ton	60'	10'	3	4	20,307	\$67,368.00
262160	TALON HV STEEL DECK - 60' X 11' W/ FLINTEC CELL	120 ton	60'	11'	3	4	22,356	\$73,502.00
262070	TALON HV STEEL DECK - 70' X 10' W/ FLINTEC CELL	120 ton	70'	10'	3	4	23,919	\$76,756.00
262170	TALON HV STEEL DECK - 70' X 11' W/ FLINTEC CELL	120 ton	70'	11'	3	4	26,154	\$83,077.00
262075	TALON HV STEEL DECK - 75' X 10' W/ FLINTEC CELL	150 ton	75'	10'	4	5	25,518	\$82,678.00
262175	TALON HV STEEL DECK - 75' X 11' W/ FLINTEC CELL	150 ton	75'	11'	4	5	27,985	\$85,883.00
262080	TALON HV STEEL DECK - 80' X 10' W/ FLINTEC CELL	150 ton	80'	10'	4	5	27,102	\$88,653.00
262180	TALON HV STEEL DECK - 80' X 11' W/ FLINTEC CELL	150 ton	80'	11'	4	5	29,811	\$91,862.00
262090	TALON HV STEEL DECK - 90' X 10' W/ FLINTEC CELL	150 ton	90'	10'	4	5	30,283	\$102,314.00
262190	TALON HV STEEL DECK - 90' X 11' W/ FLINTEC CELL	150 ton	90'	11'	4	5	33,361	\$106,578.00
262001	TALON HV STEEL DECK - 100' X 10' W/ FLINTEC CELL	150 ton	100'	10'	5	6	33,285	\$120,400.00
262101	TALON HV STEEL DECK - 100' X 11' W/ FLINTEC CELL	150 ton	100'	11'	5	6	36,614	\$123,229.00
262011	TALON HV STEEL DECK - 110' X 10' W/ FLINTEC CELL	150 ton	110'	10'	5	6	37,320	\$130,218.00
262111	TALON HV STEEL DECK - 110' X 11' W/ FLINTEC CELL	150 ton	110'	11'	5	6	41,099	\$126,121.00
262018	TALON HV STEEL DECK - 117' X 10' W/ FLINTEC CELL	150 ton	117'	10'	5	6	39,849	\$134,126.00
262118	TALON HV STEEL DECK - 117' X 11' W/ FLINTEC CELL	150 ton	117'	11'	5	6	43,572	\$139,827.00
262021	TALON HV STEEL DECK - 120' X 10' W/ FLINTEC CELL	150 ton	120'	10'	6	7	39,964	\$137,092.00
262121	TALON HV STEEL DECK - 120' X 11' W/ FLINTEC CELL	150 ton	120'	11'	6	7	44,329	\$131,379.00



Talon HVX Steel Deck Scale Pricing

Talon HVX Steel Deck Truck Scales w/ Flintec Load Cells								
Product #	Description	Capacity	Length	Width	Modules	Sections	Weight	List Price
272010	TALON HVX STEEL DECK - 10' X 10' W/ FLINTEC CELL	60 ton	10'	10'	1	2	4,874	\$30,440.00
272110	TALON HVX STEEL DECK - 10' X 11' W/ FLINTEC CELL	60 ton	10'	11'	1	2	5,422	\$31,493.00
272210	TALON HVX STEEL DECK - 10' X 12' W/ FLINTEC CELL	60 ton	10'	12'	1	2	5,789	\$33,201.00
272015	TALON HVX STEEL DECK - 15' X 10' W/ FLINTEC CELL	60 ton	15'	10'	1	2	6,365	\$33,706.00
272115	TALON HVX STEEL DECK - 15' X 11' W/ FLINTEC CELL	60 ton	15'	11'	1	2	6,932	\$34,148.00
272215	TALON HVX STEEL DECK - 15' X 12' W/ FLINTEC CELL	60 ton	15'	12'	1	2	7,799	\$37,268.00
272020	TALON HVX STEEL DECK - 20' X 10' W/ FLINTEC CELL	60 ton	20'	10'	1	2	7,913	\$42,404.00
272120	TALON HVX STEEL DECK - 20' X 11' W/ FLINTEC CELL	60 ton	20'	11'	1	2	8,887	\$44,690.00
272220	TALON HVX STEEL DECK - 20' X 12' W/ FLINTEC CELL	60 ton	20'	12'	1	2	9,600	\$47,857.00
272023	TALON HVX STEEL DECK - 23' X 10' W/ FLINTEC CELL	60 ton	23'	10'	1	2	9,206	\$47,053.00
272123	TALON HVX STEEL DECK - 23' X 11' W/ FLINTEC CELL	60 ton	23'	11'	1	2	10,201	\$49,655.00
272223	TALON HVX STEEL DECK - 23' X 12' W/ FLINTEC CELL	60 ton	23'	12'	1	2	11,089	\$53,332.00
272030	TALON HVX STEEL DECK - 30' X 10' W/ FLINTEC CELL	90 ton	30'	10'	2	3	12,959	\$51,096.00
272130	TALON HVX STEEL DECK - 30' X 11' W/ FLINTEC CELL	90 ton	30'	11'	2	3	13,865	\$54,845.00
272230	TALON HVX STEEL DECK - 30' X 12' W/ FLINTEC CELL	90 ton	30'	12'	2	3	15,600	\$59,690.00
272040	TALON HVX STEEL DECK - 40' X 10' W/ FLINTEC CELL	90 ton	40'	10'	2	3	15,826	\$53,538.00
272140	TALON HVX STEEL DECK - 40' X 11' W/ FLINTEC CELL	90 ton	40'	11'	2	3	17,775	\$59,623.00
272240	TALON HVX STEEL DECK - 40' X 12' W/ FLINTEC CELL	90 ton	40'	12'	2	3	19,200	\$65,044.00
272047	TALON HVX STEEL DECK - 47' X 10' W/ FLINTEC CELL	90 ton	47'	10'	2	3	18,413	\$61,460.00
272147	TALON HVX STEEL DECK - 47' X 11' W/ FLINTEC CELL	90 ton	47'	11'	2	3	20,433	\$66,205.00
272247	TALON HVX STEEL DECK - 47' X 12' W/ FLINTEC CELL	90 ton	47'	12'	2	3	22,987	\$70,108.00
272060	TALON HVX STEEL DECK - 60' X 10' W/ FLINTEC CELL	120 ton	60'	10'	3	4	23,738	\$69,888.00
272160	TALON HVX STEEL DECK - 60' X 11' W/ FLINTEC CELL	120 ton	60'	11'	3	4	26,666	\$72,012.00
272260	TALON HVX STEEL DECK - 60' X 12' W/ FLINTEC CELL	120 ton	60'	12'	3	4	28,800	\$88,130.00
272070	TALON HVX STEEL DECK - 70' X 10' W/ FLINTEC CELL	120 ton	70'	10'	3	4	27,767	\$85,812.00
272170	TALON HVX STEEL DECK - 70' X 11' W/ FLINTEC CELL	120 ton	70'	11'	3	4	30,603	\$88,723.00
272270	TALON HVX STEEL DECK - 70' X 12' W/ FLINTEC CELL	120 ton	70'	12'	3	4	33,267	\$99,729.00
272075	TALON HVX STEEL DECK - 75' X 10' W/ FLINTEC CELL	150 ton	75'	10'	4	5	29,712	\$93,335.00
272175	TALON HVX STEEL DECK - 75' X 11' W/ FLINTEC CELL	150 ton	75'	11'	4	5	33,057	\$96,189.00
272275	TALON HVX STEEL DECK - 75' X 12' W/ FLINTEC CELL	150 ton	75'	12'	4	5	35,822	\$108,572.00
272080	TALON HVX STEEL DECK - 80' X 10' W/ FLINTEC CELL	150 ton	80'	10'	4	5	31,651	\$101,041.00
272180	TALON HVX STEEL DECK - 80' X 11' W/ FLINTEC CELL	150 ton	80'	11'	4	5	35,547	\$103,801.00
272280	TALON HVX STEEL DECK - 80' X 12' W/ FLINTEC CELL	150 ton	80'	12'	4	5	38,401	\$117,645.00
272090	TALON HVX STEEL DECK - 90' X 10' W/ FLINTEC CELL	150 ton	90'	10'	4	5	35,532	\$114,010.00
272190	TALON HVX STEEL DECK - 90' X 11' W/ FLINTEC CELL	150 ton	90'	11'	4	5	39,489	\$117,910.00
272290	TALON HVX STEEL DECK - 90' X 12' W/ FLINTEC CELL	150 ton	90'	12'	4	5	44,356	\$132,585.00

Talon HVX Steel Deck Truck Scales (continued)



Product #	Description	Capacity	Length	Width	Modules	Sections	Weight	List Price
272001	TALON HVX STEEL DECK - 100' X 10' W/ FLINTEC CELL	150 ton	100'	10'	5	6	39,564	\$132,738.00
272101	TALON HVX STEEL DECK - 100' X 11' W/ FLINTEC CELL	150 ton	100'	11'	5	6	44,433	\$138,639.00
272201	TALON HVX STEEL DECK - 100' X 12' W/ FLINTEC CELL	150 ton	100'	12'	5	6	47,720	\$155,115.00
272011	TALON HVX STEEL DECK - 110' X 10' W/ FLINTEC CELL	150 ton	110'	10'	5	6	43,278	\$142,794.00
272111	TALON HVX STEEL DECK - 110' X 11' W/ FLINTEC CELL	150 ton	110'	11'	5	6	48,682	\$151,592.00
272211	TALON HVX STEEL DECK - 110' X 12' W/ FLINTEC CELL	150 ton	110'	12'	5	6	54,012	\$167,803.00
272018	TALON HVX STEEL DECK - 117' X 10' W/ FLINTEC CELL	150 ton	117'	10'	5	6	46,259	\$149,932.00
272118	TALON HVX STEEL DECK - 117' X 11' W/ FLINTEC CELL	150 ton	117'	11'	5	6	50,984	\$156,139.00
272218	TALON HVX STEEL DECK - 117' X 12' W/ FLINTEC CELL	150 ton	117'	12'	5	6	55,422	\$177,873.00
272021	TALON HVX STEEL DECK - 120' X 10' W/ FLINTEC CELL	150 ton	120'	10'	6	7	48,101	\$151,627.00
272121	TALON HVX STEEL DECK - 120' X 11' W/ FLINTEC CELL	150 ton	120'	11'	6	7	53,724	\$157,744.00
272221	TALON HVX STEEL DECK - 120' X 12' W/ FLINTEC CELL	150 ton	120'	12'	6	7	58,291	\$179,343.00

Cover Plates – Pit Friendly Talons:

Notes:

Pit Friendly Talons:

- For pit friendly Talons (with top access plates) please **order Part # 89700 with corresponding scale part number.**
- The quantity will be determined by the number of sections in the scale you order.
- Pit coping **NOT** included. Order separately as required.
- If manholes are needed, see Truck Scale Options section.
- **The number of cover plates ordered must match the number of sections in the scale ordered.**

Examples:

• For 171070 (70' x 10') with 4 sections, you would order a quantity of four (4) 89700 for a pit-designed scale with top access cover plates.

• For 171180 (80' x 11') with 5 sections, you would order a quantity of five (5) 89700 for a pit-designed scale with top access cover plates.

Cover Plates		
Product #	Description	List Price
89700	COVER PLATES (# OF SECTIONS)	\$1,108.00

Price Includes:	Notes:
<ul style="list-style-type: none"> • Factory ready steel deck modules • Accessory 1145 (17246) 50' Home Run Cable • Approach ramp coping • Accessory 1147 (14602) SSC interface cables (stainless steel sheathed) • All Smart Sectional Controllers (SSC) and Pit Power Supply (PPS) for Intalogix Technology • Load Cells • Mounting Assemblies • Accessory 789 (23143) SVP • Grounding Rods • Anchor Bolts 	<ul style="list-style-type: none"> • Dimensions listed are nominal dimensions, not exact measurements. Contact Product Manager if exact measurements are required. • Scale is equipped with Intalogix Technology standard. • Other sizes are available through Solutions Group. • Shipping weights are for freight estimates only. • Center checking option available through Solutions Group. • Designed for Above Ground foundations only. For Pit-Friendly configurations, see link above. • NTEP-approved dump-through is available through Solutions Group <p>See the accessories section for load cell risers, cover plates, safety stairs, analog options, coal tar and other options.</p>
<p>Price does not include:</p> <ul style="list-style-type: none"> • Reinforcing rod (rebar) for foundation • Foundation • Instrument • Printers • Optional Accessories 	



Talon Field Pour Truck Scales Specs

SPECIFICATIONS	Talon HV Field Pour	Talon HVX Field Pour
CLC	90k	100k
Approach Height	17 5/8"	19 3/4"
Deck Plate Thickness	10"	12"
Deflection	1/1100	1/1300
eMin	10 lbs.	10 lbs
Foundation Type	Above Ground ONLY	Above Ground ONLY
Module Construction	Structural Steel	Structural Steel
Number of Structural i-beams	7 (five 6" & two 10")	7 (five 6" & two 12")
Load Cell Specifications		
Load Cell Height	4.66"	4.66"
Load Cell Capacity	30t (66,000 lbs)	50t (110,000 lbs.)
Load Cell Type	Rocker Column	Rocker Column
Load Cell Sealing	Welded, hermetically sealed, gas filled	Welded, hermetically sealed, gas filled
Load Cell Construction	Element – 420; Can – 304	Element – 420; Can – 304
Rating	IP69K	IP69K
Load Cell Resistance	1,000 ohms	1,000 ohms
Load Cell Output	2.0 mV/V	2.0 mV/V
Excitation	4 to 24 VDC	4 to 24 VDC
Ultimate Overload	300%	300%
Load Cell Cable Length	15 feet	15 feet
Load Cell Cable Protection	Stainless Steel Braid ArmourGuard	Stainless Steel Braid ArmourGuard
Load Cell Protection	Stainless Steel, Hermetically Sealed	Stainless Steel, Hermetically Sealed

Price Includes:	Price does not include:
<ul style="list-style-type: none"> • Factory ready field pour concrete modules • Accessory 1145 (17246) 50' Home Run Cable • Approach ramp coping • Accessory 1147 (14602) SSC interface cables (stainless steel sheathed) • All Smart Sectional Controllers (SSC) and Pit Power Supply (PPS) for Intalogix Technology • Load Cells • Mounting Assemblies • Accessory 789 (23143) SVP • Grounding Rods • Anchor Bolts 	<ul style="list-style-type: none"> • Reinforcing rod (rebar) for foundation • Foundation • Instrument • Printers • Optional Accessories

Notes:

Dimensions listed are nominal dimensions, not exact measurements. Contact Product Manager if exact measurements are required.

Scale is equipped with Intalogix Technology standard.

Other sizes are available through Solutions Group.

Shipping weights are for freight estimates only.

Center checking option available through Solutions Group.

Designed for Above Ground foundations only. For Pit-Friendly configurations, see link above.

NTEP-approved dump-through is available through Solutions Group



Talon HV Field Pour Scale Pricing

Talon HV Field Poured Deck Truck Scales w/ Flintec Load Cells

Product #	Description	Capacity	Length	Width	Modules	Sections	Weight	List Price
261010	TALON HV FIELD POUR DECK - 10' X 10' W/ FLINTEC CELL	60 ton	10'	10'	1	2	2,857	\$24,255.00
261110	TALON HV FIELD POUR DECK - 10' X 11' W/ FLINTEC CELL	60 ton	10'	11'	1	2	2,917	\$24,901.00
261015	TALON HV FIELD POUR DECK - 15' X 10' W/ FLINTEC CELL	60 ton	15'	10'	1	2	3,775	\$28,150.00
261115	TALON HV FIELD POUR DECK - 15' X 11' W/ FLINTEC CELL	60 ton	15'	11'	1	2	3,844	\$29,979.00
261020	TALON HV FIELD POUR DECK - 20' X 10' W/ FLINTEC CELL	60 ton	20'	10'	1	2	4,501	\$29,654.00
261120	TALON HV FIELD POUR DECK - 20' X 11' W/ FLINTEC CELL	60 ton	20'	11'	1	2	4,614	\$32,057.00
261023	TALON HV FIELD POUR DECK - 23' X 10' W/ FLINTEC CELL	60 ton	23'	10'	1	2	5,062	\$34,265.00
261123	TALON HV FIELD POUR DECK - 23' X 11' W/ FLINTEC CELL	60 ton	23'	11'	1	2	5,236	\$35,356.00
261030	TALON HV FIELD POUR DECK - 30' X 10' W/ FLINTEC CELL	90 ton	30'	10'	2	3	6,837	\$40,157.00
261130	TALON HV FIELD POUR DECK - 30' X 11' W/ FLINTEC CELL	90 ton	30'	11'	2	3	7,037	\$41,523.00
261040	TALON HV FIELD POUR DECK - 40' X 10' W/ FLINTEC CELL	90 ton	40'	10'	2	3	8,724	\$46,557.00
261140	TALON HV FIELD POUR DECK - 40' X 11' W/ FLINTEC CELL	90 ton	40'	11'	2	3	8,842	\$44,868.00
261047	TALON HV FIELD POUR DECK - 47' X 10' W/ FLINTEC CELL	90 ton	47'	10'	2	3	9,898	\$47,481.00
261147	TALON HV FIELD POUR DECK - 47' X 11' W/ FLINTEC CELL	90 ton	47'	11'	2	3	10,168	\$50,969.00
261060	TALON HV FIELD POUR DECK - 60' X 10' W/ FLINTEC CELL	120 ton	60'	10'	3	4	12,822	\$55,342.00
261160	TALON HV FIELD POUR DECK - 60' X 11' W/ FLINTEC CELL	120 ton	60'	11'	3	4	13,263	\$61,473.00
261070	TALON HV FIELD POUR DECK - 70' X 10' W/ FLINTEC CELL	120 ton	70'	10'	3	4	15,107	\$65,083.00
261170	TALON HV FIELD POUR DECK - 70' X 11' W/ FLINTEC CELL	120 ton	70'	11'	3	4	15,846	\$67,606.00
261075	TALON HV FIELD POUR DECK - 75' X 10' W/ FLINTEC CELL	150 ton	75'	10'	4	5	16,352	\$71,561.00
261175	TALON HV FIELD POUR DECK - 75' X 11' W/ FLINTEC CELL	150 ton	75'	11'	4	5	17,180	\$74,132.00
261080	TALON HV FIELD POUR DECK - 80' X 10' W/ FLINTEC CELL	150 ton	80'	10'	4	5	17,620	\$78,285.00
261180	TALON HV FIELD POUR DECK - 80' X 11' W/ FLINTEC CELL	150 ton	80'	11'	4	5	18,542	\$80,878.00
261090	TALON HV FIELD POUR DECK - 90' X 10' W/ FLINTEC CELL	150 ton	90'	10'	4	5	19,417	\$86,353.00
261190	TALON HV FIELD POUR DECK - 90' X 11' W/ FLINTEC CELL	150 ton	90'	11'	4	5	19,552	\$88,839.00
261001	TALON HV FIELD POUR DECK - 100' X 10' W/ FLINTEC CELL	150 ton	100'	10'	5	6	21,137	\$96,881.00
261101	TALON HV FIELD POUR DECK - 100' X 11' W/ FLINTEC CELL	150 ton	100'	11'	5	6	22,054	\$100,068.00
261011	TALON HV FIELD POUR DECK - 110' X 10' W/ FLINTEC CELL	150 ton	110'	10'	5	6	24,956	\$96,262.00
261111	TALON HV FIELD POUR DECK - 110' X 11' W/ FLINTEC CELL	150 ton	110'	11'	5	6	25,831	\$107,123.00
261018	TALON HV FIELD POUR DECK - 117' X 10' W/ FLINTEC CELL	150 ton	117'	10'	5	6	25,168	\$116,844.00
261118	TALON HV FIELD POUR DECK - 117' X 11' W/ FLINTEC CELL	150 ton	117'	11'	5	6	26,399	\$117,769.00
261021	TALON HV FIELD POUR DECK - 120' X 10' W/ FLINTEC CELL	150 ton	120'	10'	6	7	25,711	\$119,252.00
261121	TALON HV FIELD POUR DECK - 120' X 11' W/ FLINTEC CELL	150 ton	120'	11'	6	7	26,643	\$120,222.00



Talon HVX Field Pour Scale Pricing

Talon HVX Field Pour Truck Scales w/ Flintec Cells								
Product #	Description	Capacity	Length	Width	Modules	Sections	Weight	List Price
271010	TALON HVX FIELD POUR DECK - 10' X 10' W/ FLINTEC CELL	60 ton	10'	10'	1	2	3,130	\$25,463.00
271110	TALON HVX FIELD POUR DECK - 10' X 11' W/ FLINTEC CELL	60 ton	10'	11'	1	2	3,280	\$26,369.00
271210	TALON HVX FIELD POUR DECK - 10' X 12' W/ FLINTEC CELL	60 ton	10'	12'	1	2	3,436	\$27,267.00
271015	TALON HVX FIELD POUR DECK - 15' X 10' W/ FLINTEC CELL	60 ton	15'	10'	1	2	4,010	\$29,469.00
271115	TALON HVX FIELD POUR DECK - 15' X 11' W/ FLINTEC CELL	60 ton	15'	11'	1	2	4,192	\$31,435.00
271215	TALON HVX FIELD POUR DECK - 15' X 12' W/ FLINTEC CELL	60 ton	15'	12'	1	2	4,435	\$32,827.00
271020	TALON HVX FIELD POUR DECK - 20' X 10' W/ FLINTEC CELL	60 ton	20'	10'	1	2	4,815	\$32,063.00
271120	TALON HVX FIELD POUR DECK - 20' X 11' W/ FLINTEC CELL	60 ton	20'	11'	1	2	5,352	\$33,908.00
271220	TALON HVX FIELD POUR DECK - 20' X 12' W/ FLINTEC CELL	60 ton	20'	12'	1	2	5,352	\$35,304.00
271023	TALON HVX FIELD POUR DECK - 23' X 10' W/ FLINTEC CELL	60 ton	23'	10'	1	2	5,622	\$35,848.00
271123	TALON HVX FIELD POUR DECK - 23' X 11' W/ FLINTEC CELL	60 ton	23'	11'	1	2	5,692	\$36,986.00
271223	TALON HVX FIELD POUR DECK - 23' X 12' W/ FLINTEC CELL	60 ton	23'	12'	1	2	5,977	\$38,906.00
271030	TALON HVX FIELD POUR DECK - 30' X 10' W/ FLINTEC CELL	90 ton	30'	10'	2	3	7,564	\$41,822.00
271130	TALON HVX FIELD POUR DECK - 30' X 11' W/ FLINTEC CELL	90 ton	30'	11'	2	3	7,865	\$43,913.00
271230	TALON HVX FIELD POUR DECK - 30' X 12' W/ FLINTEC CELL	90 ton	30'	12'	2	3	8,132	\$43,701.00
271040	TALON HVX FIELD POUR DECK - 40' X 10' W/ FLINTEC CELL	90 ton	40'	10'	2	3	9,558	\$48,180.00
271140	TALON HVX FIELD POUR DECK - 40' X 11' W/ FLINTEC CELL	90 ton	40'	11'	2	3	9,950	\$53,377.00
271240	TALON HVX FIELD POUR DECK - 40' X 12' W/ FLINTEC CELL	90 ton	40'	12'	2	3	10,134	\$57,681.00
271047	TALON HVX FIELD POUR DECK - 47' X 10' W/ FLINTEC CELL	90 ton	47'	10'	2	3	10,504	\$49,521.00
271147	TALON HVX FIELD POUR DECK - 47' X 11' W/ FLINTEC CELL	90 ton	47'	11'	2	3	10,963	\$58,608.00
271247	TALON HVX FIELD POUR DECK - 47' X 12' W/ FLINTEC CELL	90 ton	47'	12'	2	3	11,437	\$63,097.00
271060	TALON HVX FIELD POUR DECK - 60' X 10' W/ FLINTEC CELL	120 ton	60'	10'	3	4	13,520	\$62,362.00
271160	TALON HVX FIELD POUR DECK - 60' X 11' W/ FLINTEC CELL	120 ton	60'	11'	3	4	14,271	\$59,318.00
271260	TALON HVX FIELD POUR DECK - 60' X 12' W/ FLINTEC CELL	120 ton	60'	12'	3	4	14,618	\$72,957.00
271070	TALON HVX FIELD POUR DECK - 70' X 10' W/ FLINTEC CELL	120 ton	70'	10'	3	4	15,980	\$68,666.00
271170	TALON HVX FIELD POUR DECK - 70' X 11' W/ FLINTEC CELL	120 ton	70'	11'	3	4	16,565	\$70,224.00
271270	TALON HVX FIELD POUR DECK - 70' X 12' W/ FLINTEC CELL	120 ton	70'	12'	3	4	16,994	\$75,658.00
271075	TALON HVX FIELD POUR DECK - 75' X 10' W/ FLINTEC CELL	150 ton	75'	10'	4	5	17,122	\$75,713.00
271175	TALON HVX FIELD POUR DECK - 75' X 11' W/ FLINTEC CELL	150 ton	75'	11'	4	5	17,709	\$77,330.00
271275	TALON HVX FIELD POUR DECK - 75' X 12' W/ FLINTEC CELL	150 ton	75'	12'	4	5	18,265	\$89,362.00
271080	TALON HVX FIELD POUR DECK - 80' X 10' W/ FLINTEC CELL	150 ton	80'	10'	4	5	18,264	\$83,041.00
271180	TALON HVX FIELD POUR DECK - 80' X 11' W/ FLINTEC CELL	150 ton	80'	11'	4	5	18,848	\$84,713.00
271280	TALON HVX FIELD POUR DECK - 80' X 12' W/ FLINTEC CELL	150 ton	80'	12'	4	5	19,543	\$90,639.00
271090	TALON HVX FIELD POUR DECK - 90' X 10' W/ FLINTEC CELL	150 ton	90'	10'	4	5	20,413	\$91,812.00
271190	TALON HVX FIELD POUR DECK - 90' X 11' W/ FLINTEC CELL	150 ton	90'	11'	4	5	21,191	\$93,934.00
271290	TALON HVX FIELD POUR DECK - 90' X 12' W/ FLINTEC CELL	150 ton	90'	12'	4	5	21,897	\$108,270.00
271001	TALON HVX FIELD POUR DECK - 100' X 10' W/ FLINTEC CELL	150 ton	100'	10'	5	6	23,098	\$103,441.00
271101	TALON HVX FIELD POUR DECK - 100' X 11' W/ FLINTEC CELL	150 ton	100'	11'	5	6	23,692	\$110,603.00
271201	TALON HVX FIELD POUR DECK - 100' X 12' W/ FLINTEC CELL	150 ton	100'	12'	5	6	24,394	\$121,650.00



Talon HVX Field Pour Truck Scales (continued)

Product #	Description	Capacity	Length	Width	Modules	Sections	Weight	List Price
271011	TALON HVX FIELD POUR DECK - 110' X 10' W/ FLINTEC CELL	150 ton	110'	10'	5	6	24,816	\$109,219.00
271111	TALON HVX FIELD POUR DECK - 110' X 11' W/ FLINTEC CELL	150 ton	110'	11'	5	6	26,329	\$117,229.00
271211	TALON HVX FIELD POUR DECK - 110' X 12' W/ FLINTEC CELL	150 ton	110'	12'	5	6	27,538	\$130,230.00
271018	TALON HVX FIELD POUR DECK - 117' X 10' W/ FLINTEC CELL	150 ton	117'	10'	5	6	26,622	\$123,416.00
271118	TALON HVX FIELD POUR DECK - 117' X 11' W/ FLINTEC CELL	150 ton	117'	11'	5	6	27,597	\$127,781.00
271218	TALON HVX FIELD POUR DECK - 117' X 12' W/ FLINTEC CELL	150 ton	117'	12'	5	6	28,312	\$145,859.00
271021	TALON HVX FIELD POUR DECK - 120' X 10' W/ FLINTEC CELL	150 ton	120'	10'	6	7	28,956	\$126,910.00
271121	TALON HVX FIELD POUR DECK - 120' X 11' W/ FLINTEC CELL	150 ton	120'	11'	6	7	29,423	\$129,931.00
271221	TALON HVX FIELD POUR DECK - 120' X 12' W/ FLINTEC CELL	150 ton	120'	12'	6	7	30,122	\$148,469.00

Accessories

- Scale Instruments
- Traffic Lights
- Custom Software
- Remote Displays
- Ticket Printers
- Driver Assist Terminals

Options

- Blow-down plates
- Dress plates
- Dump through deck
- Guidepost kits
- Load cell riser plates
- Rub rails
- Custom sizes
- Drop plates
- Coal Tar undercoating
- Intrinsically Safe electronics
- Manholes (square)

Notes:

- Dimensions listed are nominal dimensions, *not exact* measurements. Contact Product Manager if exact measurements are required.
- Scale is equipped with Intalogix Technology standard.
- Other sizes are available through Solutions Group.
- Shipping weights are for freight estimates only.
- Center checking option available through Solutions Group.
- Designed for Above Ground foundations only. For Pit-Friendly configurations, see link above.
- NTEP-approved dump-through is available through Solutions Group



Talon Low Profile

Steel Deck – Above Ground

The Talon Low Profile scale is the perfect scale for low clearance applications. The Low Profile combines the proven orthotropic design and rocker column load cells of a standard Talon, with corner-access load cell pockets to fit low profile applications. The Talon Low Profile is available in 1/4" Steel Deck configurations and is equipped with Intalogix technology and our 60k rocker column load cells. The corner-access cover plates sit outside of the wheel path, so they aren't subjected to the abuse that other cover plate designs are.

Features:

- Rugged steel deck weighbridge with 12"-14" profile
- Intalogix® Technology
- Open bottom ventilation system
- Encapsulated circuit boards
- "True" hermetically sealed Minebea Intec load cells
- Incredibly strong modules, built to federal bridge standards
- Cabling protected with ArmourGuard stainless steel sheathing
- Easy installation and maintenance



Applications: Replacing any above ground scale with a profile height of 12" – 14"

Low Profile Talon Specifications:

CLC	60k	<u>LOAD CELL SPECIFICATIONS</u>	
Approach height	12" to 14"	Load cell height	4.66"
Deck plate thickness	1/4"	Load cell capacity	30t (66,000 lbs)
Deflection	1/1100	Load cell type	Rocker Column
eMin	10 lbs.	Load cell sealing	Welded, hermetically sealed, gas filled
Foundation type	Above Ground ONLY	Load cell construction	Element – 420; Can – 304
Module Design	Orthotropic	Rating	IP69K
Module Construction	Structural Steel	Load cell resistance	1,000 ohms
Module Under Structure	Open bottom with no enclosed areas	Load cell output	2.4 mV/V
Number of structural I-beams	9 beams, 10"	Excitation	4 to 24 VDC
Ultimate Overload	300%	Load cell cable length	15 feet
		Load cell cable protection	Stainless steel braid ArmourGuard

Talon Low Profile Truck Scales


Product #	Description	Capacity	Length	Width	Modules	Sections	Weight	List Price
269060	TALON HV LOW PROFILE SD 60' x 10'	120 ton	60'	10'	3	4	20,300	\$67,527.00
269160	TALON HV LOW PROFILE SD 60' x 11'	120 ton	60'	11'	3	4	22,400	\$70,327.00
269070	TALON HV LOW PROFILE SD 70' x 10'	120 ton	70'	10'	3	4	23,919	\$81,556.00
269170	TALON HV LOW PROFILE SD 70' x 11'	120 ton	70'	11'	3	4	25,000	\$84,470.00
269075	TALON HV LOW PROFILE SD 75' x 10'	120 ton	75'	10'	4	5	26,200	\$84,892.00
269175	TALON HV LOW PROFILE SD 75' x 11'	120 ton	75'	11'	4	5	27,200	\$89,918.00
269080	TALON HV LOW PROFILE SD 80' x 10'	120 ton	80'	10'	4	5	27,000	\$94,198.00
269180	TALON HV LOW PROFILE SD 80' x 11'	120 ton	80'	11'	4	5	30,000	\$97,608.00

Foundation Kits MUST BE Selected with the Scale

169012	12" Profile Foundation Kit (Talon LP)	Included
169013	13" Profile Foundation Kit (Talon LP)	Included
169014	14" Profile Foundation Kit (Talon LP)	Included

Profile options of 12", 13" & 14" – please specify profile height & solution # on your order



<h1>Talon HV Portable Vehicle (PV) Scale</h1>		Steel Deck – Above Ground
<p>Talon HV Portable Truck Scale is constructed with multiple 10" and 12" Structural Steel I-beams. This durable weighbridge is the perfect solution for weighing operations that must get into action immediately, or where situations warrant a movable truck scale. Designed to the highest standards in the industry, Fairbanks' Talon HV Portable Truck Scale outperforms all contenders across the Board.</p>		
<p style="text-align: center;">Features</p> <ul style="list-style-type: none"> • Up to 150-ton gross capacity, 90 k CLC. • Stainless steel, hermetically sealed load cells, IP69K rated • Deflection less than 1/1100 under legal highway loads • Intalogix® Technology comes standard for ultimate lightning protection • Field-proven scale ventilation design prevents water corrosion and collection. Backed by optional 5-Year Warranty 		
<p>Applications: Asphalt plants, Landfills, Dairy farms, Aggregate yards, Timber mills, Mines, Ports of entry, Grain plants, Concrete plants, transfer stations</p>		

Talon HV Portable Vehicle Specifications:

CLC	90k	LOAD CELL SPECIFICATIONS	
Capacity	120 ton	Load cell height	4.66"
Width	10'	Load cell capacity	30t (66,000 lbs)
Approach height	18"	Load cell type	Rocker Column
Deck plate thickness	¼"	Load cell sealing	Welded, hermetically sealed, gas filled
Deflection	1/1100	Load cell construction	Element – 420; Can – 304
eMin	10 lbs.	Rating	IP69K
Foundation Type	Above Ground ONLY	Load cell resistance	1,000 ohms
Module Design	Orthotropic	Load cell output	2.4 mV/V
Module Construction	Structural Steel	Excitation	4 to 24 VDC
Module Under Structure	Open bottom with no enclosed areas	Load cell cable length	15 feet
Number of structural I-beams	9 (seven 12" & two 10")	Load cell cable protection	Stainless steel braid ArmourGuard
		Ultimate Overload	300%

Talon HV Portable Vehicle (PV) Scales

Product #	Description	Capacity	Length	Width	Modules	Sections	Weight	List Price
262061	PORTABLE VEHICLE SCALE - TALON HV PV 60' X 10', 90K CLC w/ FLINTEC LOAD CELLS	120 ton	60'	10'	3	4	27,767	\$101,840.00
262071	PORTABLE VEHICLE SCALE - TALON HV PV 70' X 10', 90K CLC w/ FLINTEC LOAD CELLS	120 ton	70'	10'	3	4	30,419	\$115,496.00
262081	PORTABLE VEHICLE SCALE - TALON HV PV 80' X 10', 90K CLC w/ FLINTEC LOAD CELLS	150 ton	80'	10'	4	5	34,102	\$131,000.00
155632	TALON PV APPROACH SET 10'X 10' (2 STEEL APPROACHES & HARDWARE)		10'	10'			2,150	\$31,337.00
155631	TALON PV RAMP SET - 10' Wide x 20' Long (Slope of 1" / foot)		20'	10'			3,120	\$37,825.00



Talon Highway Systems

Steel Deck – Above Ground

The Talon Highway System is constructed from the same durable design as the Talon above ground truck scales. Scale modules are optimized for capturing axle weights of common over-the-road equipment. With Intalogix standard, the Talon Highway System performs just as our other above ground scales while also delivering axle weight capabilities. The Talon Highway System can be configured as an HV 90K CLC, or an HVX 100K CLC.

Features:

- Single, double and triple trailer weighments – up to seven axles or groups of axles.
- Simultaneously provides rapid axle weight and gross vehicle weight data.
- Capture image on screen, in your database and on the scale ticket.
- Inbound / Outbound operating modes
- Network terminal setup
- Formattable tickets
- Advanced reporting options



Applications: The ultimate commercial vehicle weight reporting system for truck stops and weigh stations.

SPECIFICATIONS	Talon Steel Deck Hwy System	Talon Field Pour Hwy System
Capacity	120 ton	120 ton
Modules	4	4
Sections	7	7
eMin	10 lbs	10 lbs
Foundation Type	Above Ground ONLY	Above Ground ONLY
Module Design	Orthotropic	
Module Construction	Structural Steel	Structural Steel
Module Under Structure	Open Bottom with no Enclosed Areas	
Number of Structural I-beams	9 (seven 12" & two 10")	
LOAD CELL SPECIFICATIONS		
Load Cell Height	4.66"	4.66"
Load Cell Type	Rocker Column	Rocker Column
Load Cell Sealing	Welded, Hermetically Sealed, Gas Filled	Welded, Hermetically Sealed, Gas Filled
Load Cell Construction	Element - 420; Can 304	Element - 420; Can 304
Rating	IP69K	IP69K
Load Cell Resistance	1,000 ohms	1,000 ohms
Load Cell Output	2.4 mV/V	2.4 mV/V
Excitation	4 to 24 VDC	4 to 24 VDC
Ultimate Overload	300%	300%
Load Cell Cable Length	15 feet	15 feet
Load Cell Cable Protection	Stainless Steel Braid ArmourGuard	Stainless Steel Braid ArmourGuard



Talon HV Steel Deck Highway Systems

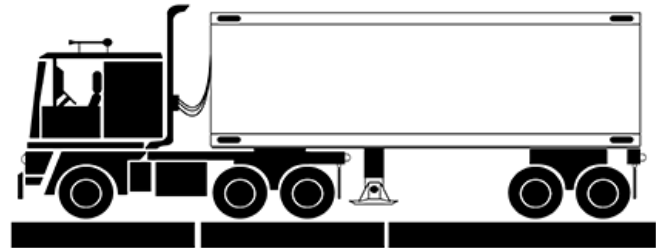
Product #	Description	Capacity	Length	Width	Deck Thickness	Load Cell Height	Weight	List Price
262077	TALON HV SD 90k CLC 10/20/40 X 10'	90k	10' / 20' / 40'	10'	1/4"	5.5"	24,117	\$109,177.00
262078	TALON HV SD 90k 15/15/40 X 10'	90k	15' / 15' / 40'	10'	1/4"	5.5"	24,293	\$110,027.00
268177	TALON HV SD 90k 10/20/40 X 11'	90k	10' / 20' / 40'	11'	1/4"	5.5"	26,352	\$114,771.00
268178	TALON HV SD 90k 15/15/40 X 11'	90k	15' / 15' / 40'	11'	1/4"	5.5"	26,528	\$114,771.00
272077	TALON HVX SD 100K 10/20/40X10'	100k	10' / 20' / 40'	10'	3/8"	6.0"	28,326	\$119,106.00
272078	TALON HVX SD 100K 15/15/40X10'	100k	15' / 15' / 40'	10'	3/8"	6.0"	28,492	\$119,106.00
272177	TALON HVX SD 100K 10/20/40X11'	100k	10' / 20' / 40'	11'	3/8"	6.0"	31,162	\$123,847.00
272178	TALON HVX SD 100K 15/15/40X11'	100k	15' / 15' / 40'	11'	3/8"	6.0"	31,328	\$123,847.00

Talon HV Field Pour Highway Systems

Product #	Description	Cap	Length	Width	Deck Thickness	Load Cell Height	Weight	List Price
261077	TALON HV FIELD POUR 10/20/40X10	90k	10' / 20' / 40'	10'	13 3/8"	5.5"	15,420	\$84,254.00
261078	TALON HV FIELD POUR 15/15/40X10	90k	15' / 15' / 40'	10'	13 3/8"	5.5"	15,611	\$90,749.00
267177	TALON HV FIELD POUR 10/20/40X11	90k	10' / 20' / 40'	11'	13 3/8"	5.5"	16,159	\$93,401.00
267178	TALON HV FIELD POUR 15/15/40X11	90k	15' / 15' / 40'	11'	13 3/8"	5.5"	16,350	\$86,717.00
271077	TALON HVX FIELD POUR 10/20/40X10	100k	10' / 20' / 40'	10'	15 3/8"	6.0"	16,108	\$98,176.00
271078	TALON HVX FIELD POUR 15/15/40X10	100k	15' / 15' / 40'	10'	15 3/8"	6.0"	16,217	\$98,176.00
271177	TALON HVX FIELD POUR 10/20/40X11	100k	10' / 20' / 40'	11'	15 3/8"	6.0"	16,693	\$102,705.00
271178	TALON HVX FIELD POUR 15/15/40X11	100k	15' / 15' / 40'	11'	15 3/8"	6.0"	16,802	\$95,361.00

Talon HV & HVX Highway Systems Notes

- Standard Highway System configuration is not compatible with riser plates.
- Contact Solutions Group if riser plates are required
- Other CLC capacities available through Solutions Group
- Scale comes standard with cover plates
- Manholes available through Solutions Group
- Refer to Truck Scale Options for approach heights
- Requires two (2) home run cables
- See instrumentation section for required load cell interface options.
- Scale is equipped with Intalogix Technology standard
- Two (2) Intalogix® loadcell interfaces are required
- See Truck Scale Options section for foundation drawing numbers



Remote Display Tower for Highway Systems



*DON'T FORGET,
INCLUDE A FAIRBANKS
SCALES BUILT REMOTE
DISPLAY TOWER FOR
YOUR NEXT
HIGHWAY SYSTEM
APPLICATION.*



Includes four (4) 1601 remote displays in a single enclosure to show the steer, drive and rear axle weights as well as the total weight and is compatible with most manufacturers highway system scales.



Remote Display Tower for Highway Systems

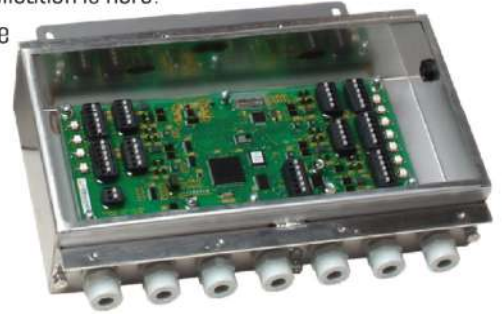
Product #	Description	List Price
34249	1641 4-in-1 1601 Remote Display	\$6,017.00
Price Includes:	Model 1641 · Four (4) 1.5" bright red High Intensity LED Remote Displays, packaged in a single enclosure suitable for pole or wall mounting. · Four (4) internally factory wired 1601 displays · Four (4) legend plates: ◦Axle 1, Axle 2, Axle 3 & Total · Mounting plate · Stainless Steel Shroud. · Stainless Steel, NEMA 4X enclosure	
Price does NOT Include:	Pole, order desired pole from the catalog Pole mounting hardware requirements are found with poles in the catalog U-Clamp/Bolts, in catalog 3", 4" or 5" depending on pole size used. ACC 777 LED traffic light can be mounted to the top of the pole where the 1601 stack is located. Add from catalog. Be sure to include 86573 slip fitter for mounting ACC 777 on top of pole.	
Note:	Use 17216 interface cable for distances up to 300'. Use 20903 interface cable for distances over 300'	

An Economical Upgrade to the 2500 Highway Systems

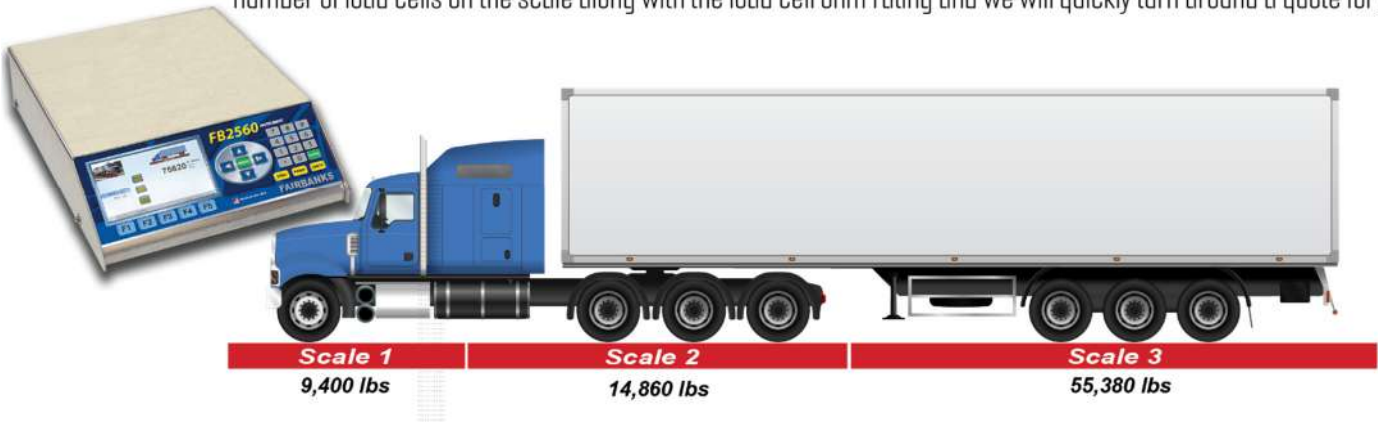
The cost effective solution to upgrading your customer’s current 2500 highway system application is here!

The EFSIC is an enhanced single Intalogix interface card that allows for up to 3 scales where prior upgrade solutions would require an additional external interface card, an additional home run cable run and a second pit power supply.

The NEW EFSIC card option utilizes the requirements of the 2500 systems with the single home run and single pit power supply allowing you to easily upgrade the customer to an FB2560 or FB4000 with the EFSIC card to be upgraded to readily available current product.



For EFSIC card pricing please reach out to our distribution support team or enter a solutions request identifying the number of load cells on the scale along with the load cell ohm rating and we will quickly turn around a quote for you.



EFSIC for Highway System Upgrade

Product #	Description	List Price
SB96640	EFSIC for FB2560	\$675.00
SB96641	EFSIC for FB4000	\$675.00

Tundra XL & XLT Product Information

Tundra XL & XLT Field Poured Concrete Deck (optional Factory Pour & Steel Deck) – Pit Scale



The Tundra XL & XLT Pit-type Truck Scales feature the Fairbanks dual main girder weighbridge design, which has been the industry standard for strength and durability for nearly 100 years. The design significantly reduces the amount of real estate typically required for scale operations. Where installation space is tight, the Tundra is an exceptional cost-saving and space-saving choice

Fully Electronic Pit Scale with a Small Footprint

- ➔ XL: 60k CLC, available from 40 ton to 100-ton capacity
- ➔ XLT: 100k CLC, available from 60 ton to 135-ton capacity
- ➔ Field pour concrete deck (options for factory pour or steel deck)
- ➔ NTEP approved up to 14' wide
- ➔ Side-to-side & end-to-end checking allows for free floating deck.
- ➔ NTEP certified end-dump & dump through options available



Applications: Ideal for highway vehicle and extreme volume weighing applications

Tundra Specs

Specifications	Tundra XL	Tundra XLT
CLC	60k	100k
Concrete Deck Thickness	6"	6"
eMin	10 lbs	10 lbs.
LOAD CELL SPECIFICATIONS		
Load Cell Height	4.66"	4.66"
Load Cell Capacity	30t (66,000 lbs)	30t (66,000 lbs)
Load Cell Type	Rocker Column	Rocker Column
Load Cell Sealing	Welded, Hermetically Sealed, Gas Filled	Welded, Hermetically Sealed, Gas Filled
Materials	Element – 420; Can – 304	Element – 420; Can – 304
Rating	IP69K	IP69K
Load Cell Resistance	1,000 ohms	1,000 ohms
Load Cell Output	2.0 mV/V	2.0 mV/V
Excitation	4 to 24 VDC	4 to 24 VDC
Ultimate Overload	300%	300%
Load Cell Cable Length	15 feet	15 feet
Load Cell Cable Protection	Stainless Steel Braid ArmourGuard	Stainless Steel Braid ArmourGuard

Manhole Cover and Frame

Product #	Description	Weight	List Price
55008	MANHOLE RING & COVER - FOR PIT TYPE SCALES - Ring O.D. = 30", 6" deep - Ring Opening = 22.5" - Cover O.D. = 23.75"	282	\$598.00

Notes:

- Other Sizes available through Solutions Group
- Factory Poured deck option available through solutions group**
- Scale is equipped with Intalogix Technology
- See **Truck Scale Options** sections for **foundation drawing numbers**
- The drawing number must be requested on the order**
- 14' wide – NTEP approved**
- NTEP approved end dump**



Tundra XL Field Pour Truck Scale Pricing

Tundra XL Series Fully Electronic Pit-Type, Field Pour Truck Scales

Product #	Description	Cap	Length	Width	Sections	Weight	List Price
266010	TUNDRA XL TRUCK SCALE 10'x 10'	45 ton	10'	10'	2	2,397	\$17,750.00
266110	TUNDRA XL TRUCK SCALE 10'x 11'	45 ton	10'	11'	2	2,483	\$19,106.00
266210	TUNDRA XL TRUCK SCALE 10'x 12'	45 ton	10'	12'	2	2,544	\$22,659.00
266020	TUNDRA XL TRUCK SCALE 20'x 10'	45 ton	20'	10'	2	4,503	\$23,376.00
266120	TUNDRA XL TRUCK SCALE 20'x 11'	45 ton	20'	11'	2	4,662	\$26,856.00
266220	TUNDRA XL TRUCK SCALE 20'x 12'	45 ton	20'	12'	2	4,774	\$28,346.00
266030	TUNDRA XL TRUCK SCALE 30'x 10'	45 ton	30'	10'	2	6,650	\$28,714.00
266130	TUNDRA XL TRUCK SCALE 30'x 11'	45 ton	30'	11'	2	6,885	\$30,800.00
266230	TUNDRA XL TRUCK SCALE 30'x 12'	45 ton	30'	12'	2	7,052	\$31,676.00
266040	TUNDRA XL TRUCK SCALE 40'x 10'	75 ton	40'	10'	3	9,007	\$31,271.00
266140	TUNDRA XL TRUCK SCALE 40'x 11'	75 ton	40'	11'	3	9,324	\$35,729.00
266240	TUNDRA XL TRUCK SCALE 40'x 12'	75 ton	40'	12'	3	9,550	\$36,869.00
266050	TUNDRA XL TRUCK SCALE 50'x 10'	75 ton	50'	10'	3	11,256	\$38,738.00
266150	TUNDRA XL TRUCK SCALE 50'x 11'	75 ton	50'	11'	3	11,652	\$42,021.00
266250	TUNDRA XL TRUCK SCALE 50'x 12'	75 ton	50'	12'	3	11,934	\$43,654.00
266060	TUNDRA XL TRUCK SCALE 60'x 10'	100 ton	60'	10'	4	13,512	\$41,642.00
266160	TUNDRA XL TRUCK SCALE 60'x 11'	100 ton	60'	11'	4	13,987	\$44,884.00
266260	TUNDRA XL TRUCK SCALE 60'x 12'	100 ton	60'	12'	4	14,324	\$46,366.00
266070	TUNDRA XL TRUCK SCALE 70'x 10'	100 ton	70'	10'	4	15,660	\$49,145.00
266170	TUNDRA XL TRUCK SCALE 70'x 11'	100 ton	70'	11'	4	16,212	\$52,638.00
266270	TUNDRA XL TRUCK SCALE 70'x 12'	100 ton	70'	12'	4	16,604	\$54,068.00
266080	TUNDRA XL TRUCK SCALE 80'x 10'	100 ton	80'	10'	4	17,901	\$53,636.00
266180	TUNDRA XL TRUCK SCALE 80'x 11'	100 ton	80'	11'	4	18,532	\$58,028.00
266280	TUNDRA XL TRUCK SCALE 80'x 12'	100 ton	80'	12'	4	18,980	\$62,252.00
266090	TUNDRA XL TRUCK SCALE 90'x 10'	100 ton	90'	10'	5	20,114	\$64,367.00
266190	TUNDRA XL TRUCK SCALE 90'x 11'	100 ton	90'	11'	5	20,834	\$69,612.00
266290	TUNDRA XL TRUCK SCALE 90'x 12'	100 ton	90'	12'	5	21,349	\$72,127.00
266001	TUNDRA XL TRUCK SCALE 100' x10	100 ton	100'	10'	5	22,371	\$70,526.00
266101	TUNDRA XL TRUCK SCALE 100' x11	100 ton	100'	11'	5	23,101	\$76,710.00
266201	TUNDRA XL TRUCK SCALE 100' x12	100 ton	100'	12'	5	23,101	\$79,884.00
266011	TUNDRA XL TRUCK SCALE 110' x10	100 ton	110'	10'	6	24,609	\$80,046.00
266111	TUNDRA XL TRUCK SCALE 110' x11	100 ton	110'	11'	6	25,114	\$85,646.00
266211	TUNDRA XL TRUCK SCALE 110' x12	100 ton	110'	12'	6	25,968	\$87,885.00
266021	TUNDRA XL TRUCK SCALE 120' x10	100 ton	120'	10'	6	26,846	\$80,522.00
266121	TUNDRA XL TRUCK SCALE 120' x11	100 ton	120'	11'	6	27,643	\$87,800.00
266221	TUNDRA XL TRUCK SCALE 120' x12	100 ton	120'	12'	6	28,165	\$91,638.00



Tundra XLT Field Pour Truck Scale Pricing

Tundra XLT Series Fully Electronic Pit-Type, Field Pour Truck Scales							
Product #	Description	Cap	Length	Width	Sections	Weight	List Price
276010	TUNDRA XLT TRUCK SCALE 10x10	60 ton	10'	10'	2	2,532	\$21,933.00
276110	TUNDRA XLT TRUCK SCALE 10x11	60 ton	10'	11'	2	2,747	\$22,777.00
276210	TUNDRA XLT TRUCK SCALE 10x12	60 ton	10'	12'	2	2,936	\$26,139.00
276020	TUNDRA XLT TRUCK SCALE 20x10	60 ton	20'	10'	2	4,733	\$28,416.00
276120	TUNDRA XLT TRUCK SCALE 20x11	60 ton	20'	11'	2	5,097	\$30,957.00
276220	TUNDRA XLT TRUCK SCALE 20x12	60 ton	20'	12'	2	5,413	\$32,283.00
276030	TUNDRA XLT TRUCK SCALE 30x10	100 ton	30'	10'	3	7,066	\$32,185.00
276130	TUNDRA XLT TRUCK SCALE 30x11	100 ton	30'	11'	3	7,560	\$35,052.00
276230	TUNDRA XLT TRUCK SCALE 30x12	100 ton	30'	12'	3	7,983	\$36,545.00
276040	TUNDRA XLT TRUCK SCALE 40x10	100 ton	40'	10'	3	9,379	\$38,791.00
276140	TUNDRA XLT TRUCK SCALE 40x11	100 ton	40'	11'	3	10,055	\$42,694.00
276240	TUNDRA XLT TRUCK SCALE 50x12	100 ton	40'	12'	3	10,635	\$44,923.00
276050	TUNDRA XLT TRUCK SCALE 50x10	135 ton	50'	10'	4	11,901	\$43,616.00
276150	TUNDRA XLT TRUCK SCALE 50x11	135 ton	50'	11'	4	12,678	\$46,941.00
276250	TUNDRA XLT TRUCK SCALE 50x12	135 ton	50'	12'	4	13,333	\$48,428.00
276060	TUNDRA XLT TRUCK SCALE 70x10	135 ton	60'	10'	4	14,285	\$48,844.00
276160	TUNDRA XLT TRUCK SCALE 60x11	135 ton	60'	11'	4	15,103	\$52,927.00
276260	TUNDRA XLT TRUCK SCALE 60x12	135 ton	60'	12'	4	15,774	\$54,932.00
276070	TUNDRA XLT TRUCK SCALE 70x10	135 ton	70'	10'	5	16,534	\$57,492.00
276170	TUNDRA XLT TRUCK SCALE 70x11	135 ton	70'	11'	5	17,539	\$61,924.00
276270	TUNDRA XLT TRUCK SCALE 70x12	135 ton	70'	12'	5	18,375	\$63,999.00
276080	TUNDRA XLT TRUCK SCALE 80x10	135 ton	80'	10'	5	19,117	\$60,948.00
276180	TUNDRA XLT TRUCK SCALE 80x11	135 ton	80'	11'	5	20,198	\$70,831.00
276280	TUNDRA XLT TRUCK SCALE 80x12	135 ton	80'	12'	5	21,084	\$73,277.00
276090	TUNDRA XLT TRUCK SCALE 90x10	135 ton	90'	10'	6	21,493	\$65,164.00
276190	TUNDRA XLT TRUCK SCALE 90x11	135 ton	90'	11'	6	22,707	\$77,781.00
276290	TUNDRA XLT TRUCK SCALE 90x12	135 ton	90'	12'	6	23,700	\$82,373.00
276001	TUNDRA XLT TRUCK SCALE 100x10	135 ton	100'	10'	6	23,981	\$81,908.00
276101	TUNDRA XLT TRUCK SCALE 100x11	135 ton	100'	11'	6	25,197	\$88,879.00
276201	TUNDRA XLT TRUCK SCALE 100x12	135 ton	100'	12'	6	26,167	\$92,175.00
276011	TUNDRA XLT TRUCK SCALE 110x10	135 ton	110'	10'	6	25,892	\$86,751.00
276111	TUNDRA XLT TRUCK SCALE 110x11	135 ton	110'	11'	6	27,462	\$93,745.00
276211	TUNDRA XLT TRUCK SCALE 110x12	135 ton	110'	12'	6	28,768	\$97,065.00
276021	TUNDRA XLT TRUCK SCALE 120x10	135 ton	120'	10'	7	28,485	\$91,420.00
276121	TUNDRA XLT TRUCK SCALE 120x11	135 ton	120'	11'	7	30,058	\$99,694.00
276221	TUNDRA XLT TRUCK SCALE 120x12	135 ton	120'	12'	7	31,340	Call



Tundra Highway Systems

Field Poured Concrete – Pit Scale

The Tundra Highway System is a fully electronic pit-type scale designed for axle weighing applications in a pit environment. Just like Fairbanks’ popular Tundra product, the Tundra Highway System is based on a beam and girder design providing maximum lifespan and performance. The fully electronic Tundra highway system is delivered with Intalogix standard and is perfect for applications requiring axle weights. The Tundra Highway System can be configured as an XL 60K CLC, or an XLT 90K CLC.

11 Ways this System Outperforms the Competition

- Simultaneously provides rapid axle weight and gross vehicle weight data.
- Advanced reporting options (see below for details).
- Backup / restore function protects valuable transaction data.
- Blind counter records all activity that doesn’t result in a printed report.
- System can be configured to create a text file of the information.
- Enforcement Mode evaluates axle weights according to legal compliance.
- Optional camera captures visual image of vehicle on scale.
- Void ticket function allows operator to search by ticket number.
- Inbound /Outbound operating modes.
- Network terminal setup.
- Formattable tickets.



Applications: The ultimate commercial vehicle weight reporting system for truck stops and weigh stations.

Tundra Highway System Specifications:

Sections	7	LOAD CELL SPECIFICATIONS: (continued)	
Concrete Deck Thickness	6"	Materials	Element – 420; Can - 304
eMin	10 lbs	Rating	IP69K
LOAD CELL SPECIFICATIONS:		Load cell resistance	1,000 ohms
Load cell height	4.66"	Load cell output	2.4 mV/V
Load cell capacity	30t(66,000 lbs)	Excitation	4 to 24 VDC
Load cell type	Rocker Column	Ultimate Overload	300%
Load cell sealing	Welded, hermetically sealed, gas filled	Load cell cable length	15 feet
		Load cell protection	Stainless steel braid ArmourGuard

Tundra XLT Highway Systems Series Fully Electronic Pit-Type, Field Pour Truck Scales

Product #	Description	CLC	Cap	Length	Width	Weight	List Price
276087	TUNDRA XL 10/20/50 X 10'	60k	100 ton	10' / 20' / 50'	10'	19,950	\$87,148.30
276077	TUNDRA XLT 10/20/40 X 10'	100k	135 ton	10' / 20' / 40'	10'	17,359	\$82,586.00
276078	TUNDRA XLT 10/15/40 X 10'	100k	135 ton	15' / 15' / 40'	10'	17,291	\$82,629.00
276177	TUNDRA XLT 10/20/40 X 11'	100k	135 ton	10' / 20' / 40'	11'	18,823	\$89,360.00
276178	TUNDRA XLT 15/15/40 X 11'	100k	135 ton	15' / 15' / 40'	11'	18,710	\$89,360.00



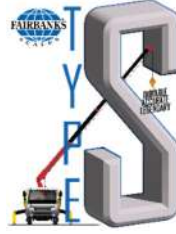
Type "S" Information & Pricing

Type "S" Field Poured Concrete Deck – Pit Scale

Designed for weighing perfection, even under the heaviest loads or in extremely harsh conditions, the "Type S" pit-type truck scales are time-tested to handle the weighing needs of demanding operations. Over the years, Fairbanks' "Type S" design has become synonymous with reliability and long scale life.

Legendary Cast Iron Lever, Mechanical Scale

- ➔ More than 40,000 installed worldwide.
- ➔ Unmatched reliability, accuracy and dependability.
- ➔ Available 15-year warranty
- ➔ Capacities available from 25 tons up to 120 ton
- ➔ CLC from 30k to 120k
- ➔ Standard and custom lengths available.



Type "S" Specifications:

Concrete Deck Thickness	6"	LOAD CELL SPECIFICATIONS (Continued)	
Weighbridge Design	Dual I-beam Construction	Full scale output	3.0 mV/V
Lever Type	Cast with removable pivots	Zero Balance	+/- 1.0%
Foundation	Pit Type	Excitation	10 VDC (15 max)
NTEP CC	97-049	Non-linearity (FSO)	< 0.03%
FM Approved	Yes	Hysteresis (FSO)	< 0.02%
eMin	10 lbs.	Non-repeatability (FSO)	< 0.1%
LOAD CELL SPECIFICATIONS		Bridge resistance	350 ohms (nominal)
Rated Capacity	2,000 lbs	Materials	Tool steel, electroless nickel plated
Ultimate Overload (FSO)	150%		

Type "S" Pit Truck Scale

Product #	Description	CLC	Cap	Length	Width	Sections	Weight	List Price
90954	"Type S" Series Pit-Type Truck Scale, 30' x 10'	60k	30t	30'	10'	2	8,800	\$30,110.00
90956	"Type S" Series Pit-Type Truck Scale, 34' x 10'	60k	50t	34'	10'	4	9,315	\$32,683.00
90958	"Type S" Series Pit-Type Truck Scale, 60' x 10'	60k	60t	60'	10'	4	14,065	\$47,117.00
90959	"Type S" Series Pit-Type Truck Scale, 70' x 10'	60k	60t	70'	10'	5	16,400	\$54,122.00
90960	"Type S" Series Pit-Type Truck Scale, 80' x 10'	60k	60t	80'	10'	5	19,915	\$58,884.00
90972	"Type S" Series Pit-Type Truck Scale, 24' x 12'	60k	30t	24'	12'	2	17,791	\$27,142.00
90973	"Type S" Series Pit-Type Truck Scale, 30' x 12'	60k	30t	30'	12'	2	21,490	\$32,760.00
90975	"Type S" Series Pit-Type Truck Scale, 34' x 12'	60k	50t	34'	12'	4	26,620	\$40,782.00
90978	"Type S" Series Pit-Type Truck Scale, 70' x 12'	60k	60t	70'	12'	5	20,100	\$60,358.00
90979	"Type S" Series Pit-Type Truck Scale, 80' x 12'	60k	60t	80'	12'	5	23,475	\$66,059.00
90986	"Type S" Series Pit-Type Truck Scale, 70' x 14'	60k	60t	70'	14'	5	23,100	\$69,703.00
90961	"Type S" Series Pit-Type Truck Scale, 50' x 10'	80k	60t	50'	10'	4	14,385	\$46,387.00
90962	"Type S" Series Pit-Type Truck Scale, 60' x 10'	80k	60t	60'	10'	4	16,745	\$49,705.00
90963	"Type S" Series Pit-Type Truck Scale, 70' x 10'	80k	60t	70'	10'	5	19,630	\$58,960.00
90965	"Type S" Series Pit-Type Truck Scale, 70' x 10'	80k	80t	70'	10'	5	21,020	\$70,841.00
90966	"Type S" Series Pit-Type Truck Scale, 80' x 10'	80k	80t	80'	10'	5	22,475	\$75,933.00
90982	"Type S" Series Pit-Type Truck Scale, 70' x 12'	80k	60t	70'	12'	5	20,630	\$65,133.00
90985	"Type S" Series Pit-Type Truck Scale, 80' x 12'	80k	80t	80'	12'	5	21,630	\$91,457.00
90988	"Type S" Series Pit-Type Truck Scale, 80' x 14'	80k	80t	80'	14'	5	25,000	\$95,202.00
90969	"Type S" Series Pit-Type Truck Scale, 60' x 14'	120k	120t	60'	14'	4	29,004	\$93,514.00

Manhole Cover & Ring

Product #	Description	Weight	List Price
-----------	-------------	--------	------------



PALS (Portable Axle Load) Scales Information

PALS – Portable Axle Load Scale	Steel Deck – Above Ground (Pit version available)
--	--

Fairbanks' Portable Axle Load Scale is constructed in a subframe that eliminates the need for a pier or slab foundation. A flat, unyielding surface such as asphalt or concrete is all that's required. By eliminating the foundation, both installation and relocation of this scale is a snap.

Portable Scale with power

- ➔ Non-Commercial (Not Legal for Trade)
- ➔ Axle weighing
- ➔ No Foundation
- ➔ Eliminates the need for a pier/slab foundation
- ➔ Installation and relocation require minimal time and effort



Applications: Moving and Shipping, Equipment Weighing, Warehouse Facilities, Light Manufacturing, Filling Operations, Service Companies

SPECIFICATIONS	PALS SD	PALS SDX
CLC	60k	80k
Capacity	45 tons	60 tons
Width	10'	10'
Deck Plate Thickness	1/4"	3/8"
Subframe	6" Channel	6" Channel
eMin	10 lbs.	10 lbs.
Module Design	Orthotropic	Orthotropic
Construction	Structural Steel	Structural Steel
LOAD CELL SPECIFICATIONS		
Load Cell Height	3.5"	3.5"
Load Cell Type	Rocker Column	Rocker Column
Load Cell Protection	Stainless Steel, 17-4 PH, Hermitically Sealed	Stainless Steel, 17-4 PH, Hermitically Sealed
Load Cell Capacity	50k	50k
Rating	IP69K	IP69K
Load Cell Resistance	1,000 ohms	1,000 ohms
Load Cell Output	2.0 mV/V	2.0 mV/V
Load Cell Cable Length	15 feet	15 feet
Combined Error (FSO)	≤ 0.02%	≤ 0.02%
Excitation	5 to 15 VDC	5 to 15 VDC
Ultimate Overload	300%	300%
NTEP CC	97-078	97-078
FM Approved	YES	YES



PALS SD & SDX Pricing

PALS & Matrix SD

Product #	Description	Type	Cap	Length	Width	Weight	List Price
105916	PALs SD Series, 60k CLC:, 7' x 10'	Intalogix	45t	7'	10'	3,000	\$20,304.00
105918	PALs SD Series, 60k CLC:, 10' x 10'	Intalogix	45t	10'	10'	4,000	\$23,727.00
105811	PALs SD Series, 60k CLC:, 14' x 10'	Intalogix	45t	14'	10'	6,000	\$41,096.00
105813	PALs SD Series, 60k CLC:, 17' x 10'	Intalogix	45t	17'	10'	7,000	\$45,146.00
105815	PALs SD Series, 60k CLC:, 20' x 10'	Intalogix	45t	20'	10'	8,000	\$46,080.00
105915	PALs SD Series, 60k CLC:, 7' x 10'	Analog	45t	7'	10'	3,000	\$19,385.00
105917	PALs SD Series, 60k CLC:, 10' x 10'	Analog	45t	10'	10'	4,000	\$22,934.00
105810	PALs SD Series, 60k CLC:, 14' x 10'	Analog	45t	14'	10'	6,000	\$39,458.00
105812	PALs SD Series, 60k CLC:, 17' x 10'	Analog	45t	17'	10'	7,000	\$43,443.00
105814	PALs SD Series, 60k CLC:, 20' x 10'	Analog	45t	20'	10'	8,000	\$46,787.00

PALS & Matrix SDX

Product #	Description	Type	Cap	Length	Width	Weight	List Price
106335	PALs SDX Series, 80k CLC:, 7' x 10'	Intalogix	60t	7'	10'	3,500	\$22,814.00
106337	PALs SDX Series, 80k CLC:, 10' x 10'	Intalogix	60t	10'	10'	5,000	\$26,083.00
105909	PALs SDX Series, 80k CLC:, 14' x 10'	Intalogix	60t	14'	10'	7,000	\$46,256.00
105911	PALs SDX Series, 80k CLC:, 17' x 10'	Intalogix	60t	17'	10'	8,500	\$48,476.00
105913	PALs SDX Series, 80k CLC:, 20' x 10'	Intalogix	60t	20'	10'	10,000	\$50,596.00
105919	PALs SDX Series, 80k CLC:, 7' x 10'	Analog	60t	7'	10'	3,500	\$21,716.00
106336	PALs SDX Series, 80k CLC:, 10' x 10'	Analog	60t	10'	10'	5,000	\$24,859.00
105910	PALs SDX Series, 80k CLC:, 14' x 10'	Analog	60t	14'	10'	7,000	\$43,138.00
105912	PALs SDX Series, 80k CLC:, 17' x 10'	Analog	60t	17'	10'	8,500	\$45,778.00
105914	PALs SDX Series, 80k CLC:, 20' x 10'	Analog	60t	20'	10'	10,000	\$48,519.00



Matrix Information

Matrix	Steel Deck w/ Concrete Dead Spans – Above Ground
	<p>The Matrix truck weighing system challenges conventional truck scale design with its revolutionary modular approach to obtaining legal-for-trade vehicle weights in low-volume weighing applications. The configurable truck weighing system reduces cost by utilizing steel scale platforms under each set of truck scale axles and concrete modules (dead spans) between scale platforms.</p>
<p align="center">Configurable Truck Weighing System</p> <ul style="list-style-type: none"> ➔ Cost saving design utilizes steel platforms only under each set of axles. ➔ Concrete modules between scale platforms ➔ Legal for trade vehicle weights ➔ Modular design is customized to your vehicles ➔ Installed on a level, unyielding surface, eliminating foundation costs ➔ Can require as little as 100' of real estate ➔ Ultra-low 6" profile height 	
<p>Applications: Moving and Shipping, Equipment Weighing, Warehouse Facilities, Light Manufacturing, Filling Operations, Service Companies.</p>	

See the Fairbanks Nexus system for Matrix information

Price Includes:

- Factory assembled modules in subframes
- Pre-wired SSCs or analog junction boxes
- 30' interconnecting cables
- Anchor bolts
- Mounting assemblies
- Ground rods
- Pre-Wired load cells

Price Does Not Include:

- Foundation
- Reinforcing for foundation
- Pit power supply kit
- Instrument
- Printers

If you are setting up the Matrix System as a highway system, or in any configuration with more than eight (8) total sections:

- **Two (2) home run cables required.**
- **Two (2) Intalogix loadcell interfaces required.**
- **See instrumentation section for required loadcell interface options.**

The Fairbanks' **MATRIX** Series Configurable Vehicle Scale System challenges conventional truck scale design with its revolutionary modular approach to obtaining legal-for-trade vehicle weights in low-volume weighing applications. The **MATRIX** is a configurable truck weighing system that reduces cost by utilizing steel scale platforms under each set of truck axles and incorporating concrete modules (dead spans) between scale platforms. Because of its ultra-low profile--only six inches--the **MATRIX** can be installed on a level, unyielding surface, thereby eliminating costs associated with expensive foundations and pits.

*Build the **MATRIX** your way.*

STEP 1: Select PALS Scale(s) as needed for desired configuration

- Use Matrix Application Guide form #101595 for assistance

STEP 2: Select Dead Span ([Dead Span](#))

STEP 3: Select Approach Frame ([Approach](#))

STEP 4: Select Ramps ([Ramps](#))

STEP 5: If ordering PALS Intalogix module, add Pit Power Supply Kit. ([PPS](#))

STEP 6: Select Accessories ([Accessories](#))

- Snow & Debris Covers
- Pit Installation Kits

Notes:

- Ultra-low 6" profile.
- Red deck & yellow frame.
- Foundation is not necessary for some installations.
- Can be configured to weigh most highway vehicles.
- Single day installation; easy to move or relocate.
- Acquires legal gross weight and individual axle weights.
- Typically requires less real estate than full-length scale.
- Check with local Weights & Measures officials to ensure acceptance of Matrix Scale System.



How to Build a MATRIX Vehicle Scale



PALS

Select the **PALS** to be the basis for your **MATRIX** truck scale.



DEAD SPANS

Choose the correct length **dead spans** to build your **MATRIX** as specified in the **MATRIX** Application Guide.



APPROACHES

If **approaches** are required for your location, choose the appropriate number needed for your scale.



RAMPS

If your scale will be equipped with steel **ramps**, select the appropriate number and size needed.



PIT POWER SUPPLY

If your scale will be equipped with Intalogix, you must include a **pit power supply** in the order.



ACCESSORIES

Select **accessories** to complete the scale. If your scale needs snow/debris covers, add them for the appropriate length PALS you're ordering.

MATRIX

The Best, Most Configurable Vehicle Scale on the Planet



Matrix Vehicle Scale System Accessories

Accessories

Product #	Description	Weight	List Price	Product #	Description	List Price
106473	SNOW COVER KIT 7' X 10' PALS	65 lbs	\$1,615.00	106497	PIT INSTALLATION KIT 7'x 10'	\$295.00
106474	SNOW COVER KIT 10' X 10' PALS	75 lbs	\$1,651.00	106498	PIT INSTALLATION KIT 10'x 10'	\$308.00
106475	SNOW COVER KIT 14' X 10' PALS	100 lbs	\$1,864.00	106499	PIT INSTALLATION KIT 14 x 10'	\$349.00
106476	SNOW COVER KIT 17' X 10' PALS	105 lbs	\$1,910.00	106584	PIT INSTALLATION KIT 17'x 10'	\$378.00
106477	SNOW COVER KIT 20' X 10' PALS	110 lbs	\$1,987.00	106585	PIT INSTALLATION KIT 20'x 10'	\$384.00

Concrete Dead Spans - Yellow Frame

Product #	Description	Weight	List Price
106052	CONCRETE DEAD SPAN, 6'0"	340 lbs	\$1,580.00
106101	CONCRETE DEAD SPAN, 6'6"	350 lbs	\$1,622.00
106053	CONCRETE DEAD SPAN, 7'0"	360 lbs	\$1,664.00
106102	CONCRETE DEAD SPAN, 7'6"	370 lbs	\$1,709.00
106054	CONCRETE DEAD SPAN, 8'0"	380 lbs	\$1,747.00
106103	CONCRETE DEAD SPAN, 8'6"	390 lbs	\$1,789.00
106055	CONCRETE DEAD SPAN, 9'0"	400 lbs	\$1,828.00
106104	CONCRETE DEAD SPAN, 9'6"	410 lbs	\$1,871.00
106056	CONCRETE DEAD SPAN, 10'-0"	420 lbs	\$1,916.00
106105	CONCRETE DEAD SPAN, 10'6"	430 lbs	\$1,954.00
106057	CONCRETE DEAD SPAN, 11'-0"	440 lbs	\$1,999.00
106106	CONCRETE DEAD SPAN, 11'6"	450 lbs	\$2,041.00
106058	CONCRETE DEAD SPAN, 12'0"	460 lbs	\$2,081.00
106107	CONCRETE DEAD SPAN, 12'6"	470 lbs	\$2,126.00
106059	CONCRETE DEAD SPAN, 13'0"	480 lbs	\$2,150.00
106108	CONCRETE DEAD SPAN, 13'6"	490 lbs	\$2,177.00

Concrete Approach Frame - Yellow Frame

Product #	Description	Length	Width	Weight	List Price
106100	MATRIX CONCRETE APPROACH FRAME (10' X 10')	10'	10' 2"	410 lbs	\$1,808.00

Construction: Structural channel and wide flange I-beams / Lifting Method: Welded lifting brackets

Ramps - Red

Product #	Description	Size	Incline Angle	Weight	List Price
106367	30" RAMP FOR PALS/MATRIX (1 ramp)	30" x 10' x 6"	12°	650 lbs	\$2,280.00
106368	60" RAMP KIT FOR PALS/MATRIX (1 ramp)	60" x 10' x 6"	6°	1200 lbs	\$4,603.00

Ramp Capacity: 80,000 lbs / Plate Thickness: 3/8" / PRICE IS FOR ONE (1) ramp



Power Supply -- Intalogix Scale Accessory

Product #	Description	Weight	List Price
106370	MATRIX Intalogix Pit Power Supply (PPS)	15 lbs	\$1,696.00

Includes: 2001 Accessory Pit Power Supply, 4' & 50' Interconnecting cables, Grounding Rod, 23143 Surge Volt Protector



Titan Steel Deck

Titan	Steel Deck – Above Ground & Pit Friendly
	<p>Fairbanks' Titan Steel Deck Truck Scale outperforms all contenders across the board. In head-to-head comparisons, the Titan ranks number one in Gross Weight Capacity, Load Cell Capacity, Deck Plate Thickness, I-beam Construction, CLC Rating and sheer Steel Weight.</p>
<p align="center">Heavyweight Champion scale</p> <ul style="list-style-type: none"> ➔ Constructed from multiple 12' & 16' Structural Steel I-beams. ➔ Thickest standard deck plate on the market (3/8") ➔ Steel deck widths up to 14' to accommodate oversized vehicles. ➔ Available as Above Ground and Pit-Friendly ➔ Extreme or redundant loads won't cause dimpling or rolling damage found on other so-called, heavy-duty truck scales 	
<p>Applications: Asphalt Plants, Aggregate Yards, Coal Mines, Concrete Plants, Grain Plants, Landfills, Ports of Entry, Quarries, Timber Mills, Transfer Stations, Transportation Companies</p>	

Titan Specs:

CLC	120k
Approach Height	19 7/8"
Deck Plate Thickness	3/8"
Deflection	1/1600
eMin	10 lbs
Foundation Type	Above Ground ONLY
Module Design	Orthotropic
Module Construction	Structural Steel
Module Under Structure	Open Bottom with no Enclosed Areas
Number of Structural i-beams	7 (two 12" & five 16")
LOAD CELL SPECIFICATIONS	
Load Cell Height	4.66"
Load Cell Capacity	50t (110,000 lbs)
Load Cell Type	Rocker Column
Load Cell Sealing	Welded, Hermetically Sealed, Gas Filled
Load Cell Construction	Element – 420; Can -304
Rating	IP69K
Load Cell Resistance	1,000 omhs
Load Cell Output	2.4 mV/V
Excitation	4 to 24 VDC
Ultimate Overload	300%
Load Cell Cable Length	15 feet
Load Cell Cable Protection	Stainless Steel Braid ArmourGuard



Titan Notes:

Price Includes:

- Factory ready steel deck modules
- Accessory 1145 (17246) 50' Home Run cable
- Approach ramp coping
- Accessory 1144 (19919) SSC interface cables (stainless steel sheathed)
- All Smart Sectional Controllers (SSC) and Pit Power Supply (PPS) for Intalogix Technology
- Load Cells
- Mounting assemblies
- Accessory 789 (23143) SVP
- Ground Rods
- Anchor bolts

Price does not include:

- Reinforcing rod (rebar) for foundation
- Foundation
- Instrument
- Printers

Options Include:

- Load Cell Risers
- Pit-Friendly Options
 - Manholes
 - Cover Plates
 - Pit Coping is listed in accessories
- Safety Stairs
- Analog Options
- Coal Tar Undercoating

Notes:

- **14' wide Titan is designed with top-access cover plates only.**
- Dimensions listed are nominal dimensions, **not exact** measurements. Contact Product Manager if exact measurements are required.
- Scale is equipped with Intalogix Technology standard.
- Other sizes are available through Solutions Group.
- Shipping weights are for freight estimates only.
- Center checking option available through Solutions Group.
- Designed for Above Ground foundations only. For Pit-Friendly configurations, see link above.
- NTEP-approved dump-through is available through Solutions Group.
- Side-by-Side Off Road Vehicle Scales available through Solutions Group.
- Center checking option available through Solutions Group.
- 110 & 120k DTA capacities available through Solutions Group.
- Foundation Drawings must be requested when the scale is ordered.




Titan Steel Deck Pricing

Titan Steel Deck								
Product #	Description	Cap	Length	Width	Modules	Sections	Weight	List Price
265027	TITAN STEEL DECK 27' x 10'	75 ton	27'	10'	1	2	12,800	\$43,696.00
265127	TITAN STEEL DECK 27' x 11'	75 ton	27'	11'	1	2	14,100	\$48,930.00
265227	TITAN STEEL DECK 27' x 12'	75 ton	27'	12'	1	2	15,400	\$53,000.00
265427	TITAN STEEL DECK 27' x 14'	75 ton	27'	14'	1	2	18,000	\$62,437.00
265030	TITAN STEEL DECK 30 x 10'	75 ton	30'	10'	1	2	14,200	\$47,383.00
265130	TITAN STEEL DECK 30 x 11'	75 ton	30'	11'	1	2	15,600	\$53,480.00
265230	TITAN STEEL DECK 30 x 12'	75 ton	30'	12'	1	2	17,100	\$54,847.00
265430	TITAN STEEL DECK 30 x 14'	75 ton	30'	14'	1	2	19,900	\$68,353.00
265035	TITAN STEEL DECK 35' x 10'	75 ton	35'	10'	1	2	16,500	\$50,939.00
265135	TITAN STEEL DECK 35' x 11'	75 ton	35'	11'	1	2	18,200	\$59,741.00
265235	TITAN STEEL DECK 35' x 12'	75 ton	35'	12'	1	2	19,800	\$64,890.00
265435	TITAN STEEL DECK 35' x 14'	75 ton	35'	14'	1	2	23,100	\$76,342.00
265060	TITAN STEEL DECK 60' x 10'	125 ton	60'	10'	2	3	28,400	\$88,894.00
265160	TITAN STEEL DECK 60' x 11'	125 ton	60'	11'	2	3	31,200	\$91,925.00
265260	TITAN STEEL DECK 60' x 12'	125 ton	60'	12'	2	3	31,200	\$107,708.00
265460	TITAN STEEL DECK 60' x 14'	125 ton	60'	14'	2	3	39,800	\$127,191.00
265070	TITAN STEEL DECK 70' x 10'	125 ton	70'	10'	2	3	33,000	\$95,275.00
265170	TITAN STEEL DECK 70' x 11'	125 ton	70'	11'	2	3	36,400	\$105,579.00
265270	TITAN STEEL DECK 70' x 12'	125 ton	70'	12'	2	3	39,600	\$115,637.00
265470	TITAN STEEL DECK 70' x 14'	125 ton	70'	14'	2	3	46,200	\$136,277.00
265080	TITAN STEEL DECK 80' x 10'	150 ton	80'	10'	3	4	38,400	\$113,492.00
265180	TITAN STEEL DECK 80' x 11'	150 ton	80'	11'	3	4	42,300	\$125,423.00
265280	TITAN STEEL DECK 80' x 12'	150 ton	80'	12'	3	4	46,200	\$136,975.00
265480	TITAN STEEL DECK 80' x 14'	150 ton	80'	14'	3	4	54,000	\$156,474.00
265090	TITAN STEEL DECK 90' x 10'	150 ton	90'	10'	3	4	42,600	\$121,181.00
265190	TITAN STEEL DECK 90' x 11'	150 ton	90'	11'	3	4	46,800	\$134,156.00
265290	TITAN STEEL DECK 90' x 12'	150 ton	90'	12'	3	4	51,300	\$146,858.00
265490	TITAN STEEL DECK 90' x 14'	150 ton	90'	14'	3	4	59,700	\$172,155.00
265006	TITAN STEEL DECK 105' x 10'	150 ton	105'	10'	3	4	49,500	\$133,582.00
265106	TITAN STEEL DECK 105' x 11'	150 ton	105'	11'	3	4	54,600	\$148,411.00
265206	TITAN STEEL DECK 105' x 12'	150 ton	105'	12'	3	4	59,400	\$163,110.00
265406	TITAN STEEL DECK 105' x 14'	150 ton	105'	14'	3	4	69,300	\$188,151.00



Titan Portable Vehicle (PV) Scale

Titan HV Portable Vehicle (PV) Scale	Steel Deck – Above Ground
<p>Available in sizes specifically for mobile operations, the Titan Series Portable Vehicle Scales are made for easy assembly and removal. Constructed with multiple 12" and 16" Structural Steel I-beams. These massive supports, coupled with the thickest standard deck plate on the market (3/8"), produce an extremely rigid and durable weigh bridge.</p>	
<p style="text-align: center;">Features</p> <ul style="list-style-type: none"> • Intalogix® Technology • 3/8" deck plate thickness • Encapsulated circuit boards • Incredible steel weight — 70' by 10' Titan scale has more than 33,000 pounds of steel in the modules alone • Stainless steel sheathing on all load cell cabling • Minebea Intec load cell has "true" hermetic seal • Fast, easy load cell access • Open bottom design 	
<p>Applications: Asphalt plants, Landfills, Dairy farms, Aggregate yards, Timber mills, Mines, Ports of entry, Grain plants, Concrete plants, transfer stations</p>	

Titan Portable Vehicle Specifications:

CLC	120k	LOAD CELL SPECIFICATIONS	
Width	10'	Load cell height	4.66"
Approach Height	20 3/8"	Load cell capacity	50t (110,000 lbs)
Deck plate thickness	3/8"	Load cell type	Rocker Column
Deflection	1/1600	Load cell sealing	Welded, hermetically sealed, gas filled
eMin	10 lbs.	Load cell construction	Element – 420; Can – 304
Foundation Type	Above Ground ONLY	Rating	IP69K
Module Design	Orthotropic	Load cell resistance	1,000 ohms
Module Construction	Structural Steel	Load cell output	2.4 mV/V
Module Under Structure	Open bottom with no enclosed areas	Excitation	4 to 24 VDC
Number of structural I-beams	7 - (two 12" & five 16")	Load cell cable length	15 feet
		Load cell cable protection	Stainless steel braid ArmourGuard
		Ultimate Overload	300%



Titan Portable Vehicle (PV) Scales

Product #	Description	Cap	Length	Width	Modules	Sections	Weight	List Price
265028	TITAN PV 125k CLC 27' X 10'	75 ton	27'	10'	1	2	15,723	\$60,951.00
265031	TITAN PV 125k CLC 30' X 10'	75 ton	30'	10'	1	2	17,471	\$67,722.00
265036	TITAN PV 120k CLC 35' X 10'	75 ton	35'	10'	1	2	20,100	\$72,293.00
265061	TITAN PV 120k CLC 60' X 10'	125 ton	60'	10'	2	3	35,300	\$113,042.00
265071	TITAN PV 125k CLC 70' X 10'	125 ton	70'	10'	2	3	40,200	\$120,665.00
265081	TITAN PV 125k CLC 80' X 10'	150 ton	80'	10'	3	4	47,400	\$146,426.00
265091	TITAN PV 125k CLC 90' X 10'	150 ton	90'	10'	3	4	52,412	\$154,794.00
265007	TITAN PV 125k CLC 105' X 10'	150 ton	105'	10'	3	4	61,147	\$165,492.00

RAMPS & APPROACHES AVAILABLE THROUGH SOLUTIONS GROUP



Trident Precast (Factory Poured) Concrete Deck Scale

Trident	Factory Poured Concrete Deck – Above Ground & Pit Friendly
	<p>If you demand the robustness of a concrete deck truck scale but don't have the luxury of waiting for a cure time, you need the Trident. Fairbanks' Trident is a concrete deck truck scale delivered ready for service. Trident incorporates advanced concrete engineering technology to produce a proven deck. With Trident, you can be guaranteed of the quality of the concrete. Starting with an engineered mix, cure and finish, the Trident is built under strict factory quality controls.</p>
<p align="center">Factory-Controlled Precast Concrete Scale</p> <ul style="list-style-type: none"> ➔ The concrete strength, without the cure time. ➔ Delivered ready for service, 1 – day installation ➔ Proven 8,000 psi deck using TensileCore steel fiber reinforcement ➔ Microsilica Fume additive fills the voids found in standard concrete to create a much denser concrete. ➔ Steam curing under ideal environmental conditions 	
<p>Applications: Agriculture, Concrete Plants, Timber, Demolition, Sand & Gravel, Moving & Shipping, Load Out Facilities, Recycling</p>	

Trident Specifications:

CLC	80k
Approach Height	19 ¾"
Deck Plate Thickness	¼"
Deflection	1/1300
eMin	10 lbs
Foundation Type	Above Ground ONLY
Module Design	Composite Steel with TensileCore Engineered Concrete
Module Construction	Structural i-beams with Factory Poured, Traceable, 8,000 PSI Compressive Strength Concrete
Number of Structural i-beams	10 (eight 8" & two 12")
LOAD CELL SPECIFICATIONS	
Load Cell Height	4.66"
Load Cell Capacity	30t (66,000 lbs)
Load Cell Type	Rocker Column
Load Cell Sealing	Welded, Hermetically Sealed, Gas Filled
Load Cell Construction	Element – 420; Can -304
Rating	IP69K
Load Cell Resistance	1,000 omhs
Load Cell Output	2.4 mV/V
Excitation	4 to 24 VDC
Ultimate Overload	300%
Load Cell Cable Length	15 feet
Load Cell Cable Protection	Stainless Steel Braid ArmourGuard




Trident Precast (Factory Poured) Truck Scales Pricing

Trident Precast Truck Scale (Factory Poured Concrete)

Product #	Description	Cap	Length	Width	Modules	Sections	Weight	List Price
263010	TRIDENT 10x10 50-TON PRECAST	50 ton	10'	10'	1	2	6,200	\$22,476.00
263110	TRIDENT 10x11 50-TON PRECAST	50 ton	10'	11'	1	2	6,820	\$25,536.00
263015	TRIDENT 15x10 50-TON PRECAST	50 ton	15'	10'	1	2	9,320	\$28,421.00
263115	TRIDENT 15x11 50-TON PRECAST	50 ton	15'	11'	1	2	10,230	\$30,017.00
263020	TRIDENT 20x10 50-TON PRECAST	50 ton	20'	10'	1	2	12,400	\$33,130.00
263120	TRIDENT 20x11 50-TON PRECAST	50 ton	20'	11'	1	2	13,640	\$33,960.00
263023	TRIDENT 23x10 50-TON PRECAST	50 ton	23'	10'	1	2	14,250	\$35,316.00
263123	TRIDENT 23x11 50-TON PRECAST	50 ton	23'	11'	1	2	15,686	\$36,244.00
263030	TRIDENT 30x10 75-TON PRECAST	75 ton	30'	10'	2	3	18,600	\$45,758.00
263130	TRIDENT 30x11 75-TON PRECAST	75 ton	30'	11'	2	3	20,460	\$47,090.00
263040	TRIDENT 40x10 75-TON PRECAST	75 ton	40'	10'	2	3	24,800	\$47,897.00
263140	TRIDENT 40x11 75-TON PRECAST	75 ton	40'	11'	2	3	27,280	\$46,659.00
263047	TRIDENT 47x10 75-TON PRECAST	75 ton	47'	10'	2	3	29,140	\$54,603.00
263147	TRIDENT 47x11 75-TON PRECAST	75 ton	47'	11'	2	3	32,054	\$56,333.00
263060	TRIDENT 60x10 100-TON PRECAST	100 ton	60'	10'	3	4	37,200	\$63,049.00
263160	TRIDENT 60x11 100-TON PRECAST	100 ton	60'	11'	3	4	40,920	\$65,763.00
263070	TRIDENT 70x10 100-TON PRECAST	100 ton	70'	10'	3	4	43,400	\$71,914.00
263170	TRIDENT 70x11 100-TON PRECAST	100 ton	70'	11'	3	4	47,740	\$76,327.00
263075	TRIDENT 75x10 125-TON PRECAST	125 ton	75'	10'	4	5	46,500	\$77,544.00
263175	TRIDENT 75x11 125-TON PRECAST	125 ton	75'	11'	4	5	51,150	\$81,308.00
263080	TRIDENT 80x10 125-TON PRECAST	125 ton	80'	10'	4	5	49,600	\$83,120.00
263180	TRIDENT 80x11 125-TON PRECAST	125 ton	80'	11'	4	5	54,560	\$86,112.00
263090	TRIDENT 90x10 125-TON PRECAST	125 ton	90'	10'	4	5	55,800	\$98,853.00
263190	TRIDENT 90x11 125-TON PRECAST	125 ton	90'	11'	4	5	61,380	\$102,204.00
263001	TRIDENT 100x10 125-TON PRECAST	125 ton	100'	10'	5	6	62,000	\$116,139.00
263101	TRIDENT 100x11 125-TON PRECAST	125 ton	100'	11'	5	6	68,200	\$118,854.00
263011	TRIDENT 110x10 125-TON PRECAST	125 ton	110'	10'	5	6	68,450	\$126,803.00
263111	TRIDENT 110x11 125-TON PRECAST	125 ton	110'	11'	5	6	75,020	\$130,881.00
263018	TRIDENT 117x10 125-TON PRECAST	125 ton	117'	10'	5	6	75,110	\$133,669.00
263118	TRIDENT 117x11 125-TON PRECAST	125 ton	117'	11'	5	6	79,794	\$137,983.00
263021	TRIDENT 120x10 125-TON PRECAST	125 ton	120'	10'	6	7	79,400	\$148,197.00
263121	TRIDENT 120x11 125-TON PRECAST	125 ton	120'	11'	6	7	81,840	\$152,982.00



Tracker VS & VSX Field Poured Concrete Deck Information

Tracker VS & VSX	Field Poured Concrete Deck – Above Ground
<p>Tracker is built from structural steel main girders and cross members forming a strong foundation for the field poured concrete deck. Tracker offers more than 9” of clearance between the weighbridge supports and the foundation. Finally, Tracker is NTEP approved up to 14’ wide to accommodate wide equipment.</p>	
<p style="text-align: center;">For Extra-Wide and Heavy Vehicles</p> <ul style="list-style-type: none"> ➔ VS: for low traffic applications ➔ VSX: more robust for higher, highway legal traffic volume ➔ Structural steel girders and cross members ➔ NTEP approved up to 14’ wide to accommodate wide equipment ➔ 9” of clearance between the weighbridge and foundation for easy cleaning ➔ Standard 60k or 90k CLC ➔ Capacities available from 45 tons up to 135 tons 	
<p>Applications: Extra wide farm equipment, Grain Plants, Dairy Farms, Timber Mills, Aggregate Yards, and any application with wide equipment.</p>	

Specifications	Tracker VS	Tracker VSX
CLC	60k	90k
Approach Height	17 ¾”	19 ¾”
eMin	10 lbs.	10 lbs.
Foundation Type	Above Ground ONLY	Above Ground ONLY
Type of Checking	Bumper	Bumper
Weighbridge Design	Dual I-beam Construction	Dual I-beam Construction
Deck Construction	Field Poured Concrete Deck	Field Poured Concrete Deck
Concrete Deck Thickness	8”	10”
Product Assembly	Assembled in Field	Assembled in Field
LOAD CELL SPECIFICATIONS		
Load Cell Height	4.66”	4.66”
Load Cell Capacity	50t (110,000 lbs)	50t (110,000 lbs)
Load Cell Type	Rocker Column	Rocker Column
Load Cell Sealing	Welded, Hermetically Sealed, Gas Filled	Welded, Hermetically Sealed, Gas Filled
Materials	Element – 420; Can – 304	Element – 420; Can – 304
Rating	IP69K	IP69K
Load Cell Resistance	1,000 ohms	1,000 ohms
Load Cell Output	2.4 mV/V	2.4 mV/V
Excitation	4 to 24 VDC	4 to 24 VDC
Ultimate Overload	300%	300%
Load Cell Cable Length	20 feet	20 feet
Load Cell Cable Protection	Stainless Steel Braid ArmourGuard	Stainless Steel Braid ArmourGuard
NTEP CC	14-024	14-024
FM Approved	YES	YES

Notes:

- Rebar and corrugate/shoring kits for scales located on the Nexus Platform.
- Dress plate kits located in Truck Scale Options & on the Nexus Platform.
- Riser plates located in Truck Scale Options & on the Nexus Platform.
- Guideposts located in Truck Scale Options & on the Nexus Platform.
- Other sizes available through Solutions Group.
- Scale is equipped with Intalogix Technology.
- See Truck Scale Options section or the Nexus Platform for foundation drawing numbers.

The drawing number must be requested on the order.

- Shipping weights are for freight estimates only.
- Designed for **above ground foundations ONLY.**
- **Manhole available through Solutions Group only.**
- **Rub rails available through Solutions Group only.**



Tracker VS Electronic Above Ground Side Rail Truck Scale

Product #	Description	Cap	Length	Width	Sections	Weight	List Price
264110	TRACKER VS 60k CLC, 10' x 11'	45 ton	10'	11'	2	3,600	\$20,168.00
264210	TRACKER VS 60k CLC, 10' x 12'	45 ton	10'	12'	2	3,850	\$21,241.00
264120	TRACKER VS 60k CLC, 20' x 11'	45 ton	20'	11'	2	5,700	\$24,236.00
264220	TRACKER VS 60k CLC, 20' x 12'	45 ton	20'	12'	2	6,150	\$25,902.00
264130	TRACKER VS 60k CLC, 30' x 11'	75 ton	30'	11'	3	9,000	\$36,818.00
264230	TRACKER VS 60k CLC, 30' x 12'	75 ton	30'	12'	3	9,650	\$39,038.00
264140	TRACKER VS 60k CLC, 40' x 11'	75 ton	40'	11'	3	11,100	\$51,062.00
264240	TRACKER VS 60k CLC, 40' x 12'	75 ton	40'	12'	3	11,950	\$52,638.00
264150	TRACKER VS 60k CLC, 50' x 11'	75 ton	50'	11'	3	13,250	\$53,182.00
264250	TRACKER VS 60k CLC, 50' x 12'	75 ton	50'	12'	3	14,300	\$55,066.00
264160	TRACKER VS 60k CLC, 60' x 11'	100 ton	60'	11'	4	16,500	\$62,905.00
264260	TRACKER VS 60k CLC, 60' x 12'	100 ton	60'	12'	4	17,750	\$65,495.00
264170	TRACKER VS 60k CLC, 70' x 11'	100 ton	70'	11'	4	18,650	\$69,564.00
264270	TRACKER VS 60k CLC, 70' x 12'	100 ton	70'	12'	4	20,100	\$73,726.00
264180	TRACKER VS 60k CLC, 80' x 11'	100 ton	80'	11'	5	21,900	\$81,404.00
264280	TRACKER VS 60k CLC, 80' x 12'	100 ton	80'	12'	5	23,550	\$84,180.00
264190	TRACKER VS 60k CLC, 90' x 11'	100 ton	90'	11'	5	24,050	\$90,469.00
264290	TRACKER VS 60k CLC, 90' x 12'	100 ton	90'	12'	5	25,850	\$93,348.00
264101	TRACKER VS 60k CLC, 100' x 11'	100 ton	100'	11'	5	26,150	\$99,538.00
264201	TRACKER VS 60k CLC, 100' x 12'	100 ton	100'	12'	5	28,200	\$104,254.00
264111	TRACKER VS 60k CLC, 110' x 11'	135 ton	110'	11'	6	29,450	\$104,901.00
264211	TRACKER VS 60k CLC, 110' x 12'	135 ton	110'	12'	6	31,650	\$110,453.00
264121	TRACKER VS 60k CLC, 120' x 11'	135 ton	120'	11'	6	31,550	\$110,266.00
264221	TRACKER VS 60k CLC, 120' x 12'	135 ton	120'	12'	6	34,000	\$116,648.00



Tracker VSX Electronic Above Ground Side Rail Truck Scale

Product #	Description	Cap	Length	Width	Sections	Weight	List Price
274110	TRACKER VSX SIDERAIL 10' x 11'	60 ton	10'	11'	2	3,700	\$20,906.00
274210	TRACKER VSX SIDERAIL 10' x 12'	60 ton	10'	12'	2	3,950	\$21,645.00
274410	TRACKER VSX SIDERAIL 10' x 14'	60 ton	10'	14'	2	4,750	\$27,012.00
274120	TRACKER VSX SIDERAIL 20' x 11'	60 ton	20'	11'	2	5,850	\$25,347.00
274220	TRACKER VSX SIDERAIL 20' x 12'	60 ton	20'	12'	2	6,300	\$26,456.00
274420	TRACKER VSX SIDERAIL 20' x 14'	60 ton	20'	14'	2	8,100	\$34,227.00
274130	TRACKER VSX SIDERAIL 30' x 11'	100 ton	30'	11'	3	9,200	\$38,299.00
274230	TRACKER VSX SIDERAIL 30' x 12'	100 ton	30'	14'	3	12,450	\$39,778.00
274430	TRACKER VSX SIDERAIL 30' x 14'	100 ton	30'	12'	3	9,900	\$44,497.00
274140	TRACKER VSX SIDERAIL 40' x 11'	100 ton	40'	11'	3	11,350	\$51,987.00
274240	TRACKER VSX SIDERAIL 40' x 12'	100 ton	40'	12'	3	12,250	\$53,283.00
274440	TRACKER VSX SIDERAIL 40' x 14'	100 ton	40'	14'	3	15,750	\$54,765.00
274150	TRACKER VSX SIDERAIL 50' x 11'	100 ton	50'	11'	3	14,600	\$54,395.00
274250	TRACKER VSX SIDERAIL 50' x 12'	100 ton	50'	12'	3	14,600	\$56,059.00
274450	TRACKER VSX SIDERAIL 50' x 14'	100 ton	50'	14'	3	19,050	\$57,354.00
274160	TRACKER VSX SIDERAIL 60' x 11'	135 ton	60'	11'	4	16,900	\$64,568.00
274260	TRACKER VSX SIDERAIL 60' x 12'	135 ton	60'	12'	4	18,200	\$66,419.00
274460	TRACKER VSX SIDERAIL 60' x 14'	135 ton	60'	14'	4	23,400	\$68,826.00
274170	TRACKER VSX SIDERAIL 70' x 11'	135 ton	70'	11'	4	19,050	\$73,079.00
274270	TRACKER VSX SIDERAIL 70' x 12'	135 ton	70'	12'	4	20,550	\$75,301.00
274470	TRACKER VSX SIDERAIL 70' x 14'	135 ton	70'	14'	4	26,700	\$72,361.00
274180	TRACKER VSX SIDERAIL 80' x 11'	135 ton	80'	11'	5	22,400	\$82,885.00
274280	TRACKER VSX SIDERAIL 80' x 12'	135 ton	80'	12'	5	24,150	\$85,474.00
274480	TRACKER VSX SIDERAIL 80' x 14'	135 ton	80'	14'	5	31,050	\$88,068.00
274190	TRACKER VSX SIDERAIL 90' x 11'	135 ton	90'	11'	5	24,550	\$92,136.00
274290	TRACKER VSX SIDERAIL 90' x 12'	135 ton	90'	12'	5	26,450	\$95,097.00
274490	TRACKER VSX SIDERAIL 90' x 14'	135 ton	90'	14'	5	34,400	\$97,131.00
274101	TRACKER VSX SIDERAIL 100' x 11	135 ton	100'	11'	5	26,700	\$102,682.00
274201	TRACKER VSX SIDERAIL 100' x 12	135 ton	100'	12'	5	28,800	\$105,827.00
274401	TRACKER VSX SIDERAIL 100' x 14	135 ton	100'	14'	5	37,700	\$109,353.00
274111	TRACKER VSX SIDERAIL 110' x 11	135 ton	110'	11'	6	30,100	\$107,770.00
274211	TRACKER VSX SIDERAIL 110' x 12	135 ton	110'	12'	6	32,400	\$113,134.00
274411	TRACKER VSX SIDERAIL 110' x 14	135 ton	110'	14'	6	42,050	\$116,372.00
274121	TRACKER VSX SIDERAIL 120' x 11	135 ton	120'	11'	6	32,250	\$112,857.00
274221	TRACKER VSX SIDERAIL 120' x 12	135 ton	120'	12'	6	34,750	\$120,443.00
274421	TRACKER VSX SIDERAIL 120' x 14	135 ton	120'	12'	6	45,350	\$123,405.00



Tracker Series Corrugate / Shoring Kits – VS & VSX

Tracker Series Truck Scale Corrugate / Shoring Kits - VS & VSX Models

Product #	Description	Weight	NET Price
124565	Tracker Series Truck Scale Corrugate/Shoring Kits - 10' x 11' / 10' x 12'	360	\$844.00
124577	Tracker Series Truck Scale Corrugate/Shoring Kits - 10' x 14'	410	\$1,203.00
124566	Tracker Series Truck Scale Corrugate/Shoring Kits - 30' x 11' / 30' x 12'	680	\$1,688.00
124578	Tracker Series Truck Scale Corrugate/Shoring Kits - 20' x 14'	770	\$2,409.00
124567	Tracker Series Truck Scale Corrugate/Shoring Kits - 30' x 11' / 30' x 12'	990	\$2,533.00
124579	Tracker Series Truck Scale Corrugate/Shoring Kits - 30' x 14'	1,130	\$3,608.00
124568	Tracker Series Truck Scale Corrugate/Shoring Kits - 40' x 11' / 40' x 12'	1300	\$3,377.00
124580	Tracker Series Truck Scale Corrugate/Shoring Kits - 40' x 14'	1,490	\$4,815.00
124569	Tracker Series Truck Scale Corrugate/Shoring Kits - 50' x 11' / 50' x 12'	1620	\$4,220.00
124581	Tracker Series Truck Scale Corrugate/Shoring Kits - 50' x 14'	1,860	\$6,020.00
124570	Tracker Series Truck Scale Corrugate/Shoring Kits - 60' x 11' / 60' x 12'	1930	\$5,066.00
124582	Tracker Series Truck Scale Corrugate/Shoring Kits - 60' x 14'	2,220	\$7,224.00
124571	Tracker Series Truck Scale Corrugate/Shoring Kits - 70' x 11' / 70' x 12'	2240	\$5,908.00
124583	Tracker Series Truck Scale Corrugate/Shoring Kits - 70' x 14'	2,580	\$8,424.00
124572	Tracker Series Truck Scale Corrugate/Shoring Kits - 80' x 11' / 80' x 12'	2550	\$6,753.00
124584	Tracker Series Truck Scale Corrugate/Shoring Kits - 80' x 14'	2,940	\$9,631.00
124573	Tracker Series Truck Scale Corrugate/Shoring Kits - 90' x 11' / 90' x 12'	2870	\$7,597.00
124585	Tracker Series Truck Scale Corrugate/Shoring Kits - 90' x 14'	3,300	\$10,834.00
124574	Tracker Series Truck Scale Corrugate/Shoring Kits - 100' x 11' / 100' x 12'	3180	\$8,445.00
124586	Tracker Series Truck Scale Corrugate/Shoring Kits - 100' x 14'	3,660	\$12,035.00
124575	Tracker Series Truck Scale Corrugate/Shoring Kits - 110' x 11' / 110' x 12'	3490	\$9,289.00
124587	Tracker Series Truck Scale Corrugate/Shoring Kits - 110' x 14'	4,020	\$13,240.00
124576	Tracker Series Truck Scale Corrugate/Shoring Kits - 120' x 11' / 120' x 12'	3810	\$10,133.00
124588	Tracker Series Truck Scale Corrugate/Shoring Kits - 120' x 14'	4,880	\$14,442.00

Notes for Corrugate:

- All corrugate is 24 gauge
- Corrugate comes precut in 7' x 2'6" and 3'6" x 2'6"
- 11' and 12' wide scales require 4 each 7' x 2'6" sheets per bay.
- 14' wide scales require (4) 7' x 2'6" and (2) 3'6" x 2'6" sheets per bay.
- All prices are NET and subject to change.
- Consult product manual for proper installation.

Notes for Shoring:

- Shoring is precut and primed L 2" x 2" x 3/16" formed steel angle; no further cutting is required.
- 11' and 12' wide scales require 5 shoring pieces per bay.
- 14' wide scales require 6 shoring pieces for bay.
- All prices are NET and subject to change.
- Consult product manual for proper installation.



Tracker Series Truck Scale Rebar Kits for VS & VSX Models

Tracker Series Truck Scale Rebar Kits - VS & VSX Models


Product #	Description	Weight	NET Price
124544	TRACKER SERIES REBAR KIT, 10' x 11' & 10' x 12'	440	\$564.00
124556	TRACKER SERIES REBAR KIT, 10' x 14'	570	\$755.00
124545	TRACKER SERIES REBAR KIT, 20' x 11' & 20' x 12'	840	\$1,126.00
124557	TRACKER SERIES REBAR KIT, 20' x 14'	1,620	\$1,509.00
124546	TRACKER SERIES REBAR KIT, 30' x 11' & 30' x 12'	1230	\$1,688.00
124547	TRACKER SERIES REBAR KIT, 40' x 11' & 40' x 12'	1,620	\$2,250.00
124547	TRACKER SERIES REBAR KIT, 40' x 11' & 40' x 12'	1620	\$2,250.00
124558	TRACKER SERIES REBAR KIT, 40' x 14'	2,150	\$3,006.00
124548	TRACKER SERIES REBAR KIT, 50' x 11' & 50' x 12'	2020	\$2,816.00
124559	TRACKER SERIES REBAR KIT, 50' x 14'	2,670	\$3,748.00
124549	TRACKER SERIES REBAR KIT, 60' x 11' & 60' x 12'	2410	\$3,377.00
124551	TRACKER SERIES REBAR KIT, 60' x 14' / 80' x 11' & 80' x 12'	3,190	\$4,504.00
124550	TRACKER SERIES REBAR KIT, 70' x 11' & 70' x 12'	2800	\$3,940.00
124560	TRACKER SERIES REBAR KIT, 70' x 14'	3,720	\$5,257.00
124551	TRACKER SERIES REBAR KIT, 60' x 14' / 80' x 11' & 80' x 12'	3190	\$4,504.00
124561	TRACKER SERIES REBAR KIT, 80' x 14'	4,770	\$6,013.00
124552	TRACKER SERIES REBAR KIT, 90' x 11' & 90' x 12'	3590	\$5,066.00
124555	TRACKER SERIES REBAR KIT, 120' x 11' & 120' x 12'	4,770	\$6,753.00
124553	TRACKER SERIES REBAR KIT, 100' x 11' & 100' x 12'	3980	\$5,629.00
124562	TRACKER SERIES REBAR KIT, 100' x 14'	5,290	\$7,509.00
124554	TRACKER SERIES REBAR KIT, 110' x 11' & 110' x 12'	4370	\$6,190.00
124563	TRACKER SERIES REBAR KIT, 110' x 14'	5,810	\$8,242.00
124555	TRACKER SERIES REBAR KIT, 120' x 11' & 120' x 12'	4770	\$6,753.00
124564	TRACKER SERIES REBAR KIT, 120' x 14'	6,340	\$9,008.00

Notes for Rebar Kits

- Rebar comes in 4'6" x 4'2" preassembled mats.
- 11' and 12' wide scales require 3 rebar mats per bay.
- 14' wide scales require 4 rebar mats per bay.
- All prices are NET and subject to change.
- Rebar mats cannot be substituted with welded wire fabric (WWF).
- Consult product manual for proper installation.



Heavy Capacity Lift Deck Scale

	SPECIFICATIONS:	
	Platform Length	Custom
	Width	4'
	Capacity	60 tons to 120 tons
	Sections	4 to 12
	Modules	2 to 8
	Module Construction	Vented Sandwich Design
	Pit Type	8" to 24"
	Load Cell Specifications:	
	Load Cell Height	3.5"
	Load Cell Type	Rocker Column
	Load Cell Protection	Stainless Steel, 17-4 PH, Hermetically Sealed
	Load Cell Capacity	50,000 lbs
	Rating	IP69K
	Load Cell Resistance	1,000 ohms
	Load Cell Output	2.0 mV/V
	Excitation	5 to 15 VDC

Features	Description / Benefit
Removable Deck	Quick and simple removability allows for timely access to clean and maintain pits.
Dual Remote Display	Allows loader operators to evenly distribute the load in the trailers, while maximizing each load before leaving tunnel.
Narrow Modules	Ensures each tire has its own scale platform, and narrow modules keep the weight manageable so each platform can be removed using simple equipment.
Self-Centering Cones	Allows the decks to be reset in place without any additional tools and ensures no need for resetting the calibration.
Remotely Located Electronics	Keeping the electronics out of the pit is important to prevent rodents and trash contamination from damaging them. Also makes cleanout easier so you don't have to worry about damaging anything in the pit.
Customizable Configurations	Each scale system is designed to accommodate the different truck/trailers used at a facility, but with the minimally reasonable amount of scale surface area to keep maintenance and cleaning as timely as possible.

HC Lift Deck Scale

Product #	Description	Weight	NET Price
999994	HEAVY CAPACITY LIFT DECK SCALE	1500 lbs	REQUEST PRICE

What is the HC Lift Deck Scale?
 Transfer stations are vital to the waste industry but present some of the harshest environments you could possibly think of for a scale. By rethinking how a scale is used, we developed the HC Lift Deck system to address these challenges. Instead of one full size platform that weighs the entire truck in one weighment, we separate the system into individual narrow platforms that act as their own individual scales which is then combined electronically into various weight readings. This configuration allows the scale to address multiple needs for the scale user. Each system is tailored to the users' operation to ensure the proper configuration and platform sizes are installed to cover any potential truck traffic, without an overabundance of surface area to maintain. The core feature of this product line is the "Lift Deck" component. This allows the user to easily and quickly lift each scale deck out of the pit using their own equipment and without special tools. This allows easy access to clean the pits and maintain the drainage systems. Resetting the deck is a breeze with self-centering cones and no need to reset the checking or recalibrate the scale.

How does the HC Lift Deck work?
 By using a special design of a stable subframe that incorporates the load cell mounts, checking, and self-centering cones, we are able to address the many challenges of this environment. This can be done while allowing a manageably sized steel deck panel to be removable for timely cleaning and maintenance of each individual scale system.

What is included in a typical HC Lift Deck System?

Every HC Lift Deck project is customized for the customer's needs. This includes a review of what truck/trailer combinations the customer will be using during the initial quoting phase. The goal is to provide enough scale deck to accommodate any truck configurations they might use, but with no more excess scale than is necessary. Each system includes an FB2560 instrument &:

- 4' wide scale panels at the determined length (always sold in pairs.)
- Subframe and riser pedestals as required for depth of pit.
- 50k Rocker Column load cells with 15' cables (typically 2-3 sections per individual scale.)
- Flexible steel lined conduit to protect load cell cables inside of each pit.
- Splice kits for extending load cells out of the pit to the respective self-contained Intalogix® box.
- Self-Contained Intalogix® Boxes for appropriate number of sections. Typically, one Pit Power Supply for each pair of scales.
- Remote displays (typically one per pair of scales so each axle set can be displayed).



Conversion Kits

Type "S" Series Accessories and Conversion Kits

Type "S" Series Accessories and Conversion Kits

Product #	Description	Weight	List Price
55008	MANHOLE RING & COVER	282 lbs	\$651.00
• Ring O.D = 30", 6" deep • Ring Opening = 22.5" • Cover O.D. = 23.75"			

Tension Load Cell Isolation Kits

12145	1107 S-BEAM TENSION LOAD CELL KIT 750 LB CAP	7 lbs	\$757.00
12146	1109 S-BEAM TENSION LOAD CELL KIT 2000 LB CAP	8 lbs	\$807.00
12147	1111 S-BEAM TENSION LOAD CELL KIT 3000 LB CAP	8 lbs	\$903.00
12148	1112 S-BEAM TENSION LOAD CELL KIT 5000 LB CAP	12 lbs	\$1,556.00

Notes: Price includes load cell, manufactured assembly (including load cell isolators), junction (splice) accessories, 20-foot 17204 cable.

Load Cell Data for Type "S" Scales

Scale Product #	Scale Model #	Load Cell Size	Scale Product #	Scale Model #	Load Cell Size
91215	(6186 A)	750 lbs	90965	(14-3482)	5000 lbs
91220	(6189 A)	2000 lbs	90966	(14-3485)	5000 lbs
91224	(9197 A)	2000 lbs	90969	(14-3374)	5000 lbs
90954	(14-3157)	2000 lbs	90972	(14-3153)	2000 lbs
90956	(14-3381)	3000 lbs	90973	(14-3157)	2000 lbs
90958	(14-3344)	5000 lbs	90975	(14-3381)	3000 lbs
90959	(14-3446)	5000 lbs	90978	(14-3446)	5000 lbs
90960	(14-3484)	5000 lbs	90979	(14-3484)	5000 lbs
90961	(14-3352)	5000 lbs	90982	(14-3356)	5000 lbs
90962	(14-3354)	5000 lbs	90985	(14-3485)	5000 lbs
90963	(14-3356)	5000 lbs	90988	(14-3485)	5000 lbs



Rocker Column Conversion Kits for Pit Scales

Product #	Description	Weight	List Price
79602	2-SECTION RC CONVERSION KIT	25 lbs.	\$5,754.00
78712	3-SECTION RC CONVERSION KIT	35 lbs.	\$8,632.00
78713	4-SECTION RC CONVERSION KIT	45 lbs.	\$11,508.00
78714	5-SECTION RC CONVERSION KIT	55 lbs.	\$14,385.00
78715	6-SECTION RC CONVERSION KIT	65 lbs.	\$17,262.00

Price includes:

- 66,000 lb, 5.5" rocker column load cells with 15' of cable
- Upper and lower cups
- O-rings for bearing cups
- 3 /16" shims for LC cups
- 1 /8" shims for LC cups
- 1 /16" shims for LC cups
- 5 /16" x 2" anti-rotation pins
- Lower bearing plate — see HC Reference Section, Page 24, Illustration 1
- Upper base plate — see HC Reference Section, Page 24, Illustration 2A and 2B
- Bolts to bolt upper base plate
- Anchor bolts for lower base plate

Price does not include:

- Drawings
- Installation
- Grout or concrete
- Any additional checking
- Instrument
- Printer
- Sectional controllers
- Power supplies
- Interconnecting or home run cables
- SVP
- J-box mounting bar

Notes:

- If special base plates or upper bearing plates are required, **you must complete form 101460 (on next page)** in its entirety and submit a new Solutions request.
- Other Load Cell sizes and capacities available through Solutions Group.
- Shipping weights are for freight estimates only.
- Contact Solutions Group to obtain information on NTEP approved conversions.
- Existing piers must be of sufficient size and located in the proper position to accommodate assembly.
- Scale must have checking in all directions.
- Total assembly height is 8½" (Top of pier to top of upper bearing plate; see HC Reference Section.)

Please visit the product page on the Nexus platform for the

- RC Conversion Worksheet (101460)
- RC Conversion Height (51518)
- RC Conversion Upper Bearing Plate – Interior Section (51515)
- RC Conversion Upper Bearing Plate – End Section (51516)
- RC Conversion Lower Bearing Plate (51517)



Generic Mettler Toledo DigiTOL™ cell to RC Load Cell Conversion Packages

Generic Mettler Toledo DigiTOL™ cell to RC Load Cell Conversion Packages

Product #	Description	Weight	List Price
98613	Generic Mettler Toledo DigiTol cell to RC Load Cell Conversion Package: (2 Section Package, no electronics) **See catalog for details**	25 lbs.	\$5,825.00
98614	Generic Mettler Toledo DigiTol cell to RC Load Cell Conversion Package: (3 Section Package, no electronics) **See catalog for details**	35 lbs.	\$8,724.00
98615	Generic Mettler Toledo DigiTol cell to RC Load Cell Conversion Package: (4 Section Package, no electronics) **See catalog for details**	45 lbs.	\$11,624.00
98616	Generic Mettler Toledo DigiTol cell to RC Load Cell Conversion Package: (5 Section Package, no electronics) **See catalog for details**	55 lbs.	\$14,523.00
98617	Generic Mettler Toledo DigiTol cell to RC Load Cell Conversion Package: (6 Section Package, no electronics) **See catalog for details**	65 lbs.	\$17,422.00
98618	Generic Mettler Toledo DigiTol cell to RC Load Cell Conversion Package: (7 Section Package, no electronics) **See catalog for details**	75 lbs.	\$15,383.00

Rocker Column Load Cell Replacement for DigiTOL™ Cell

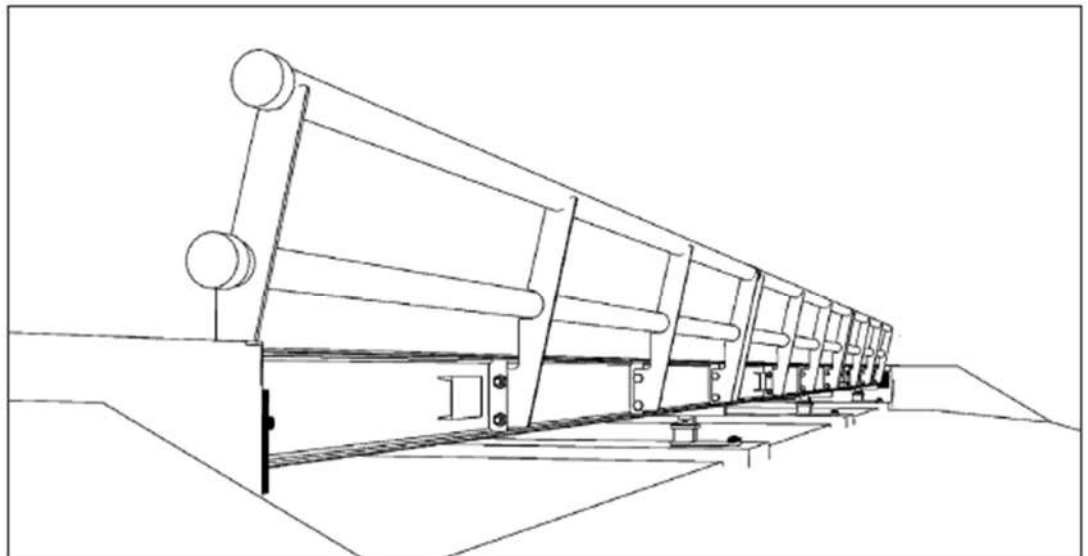
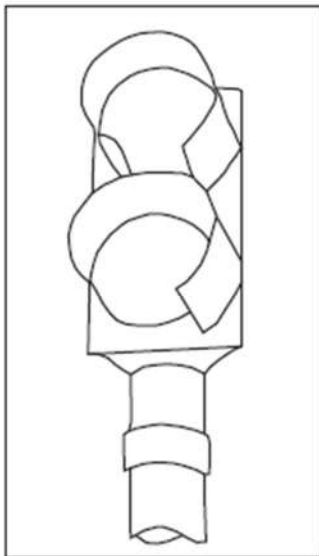
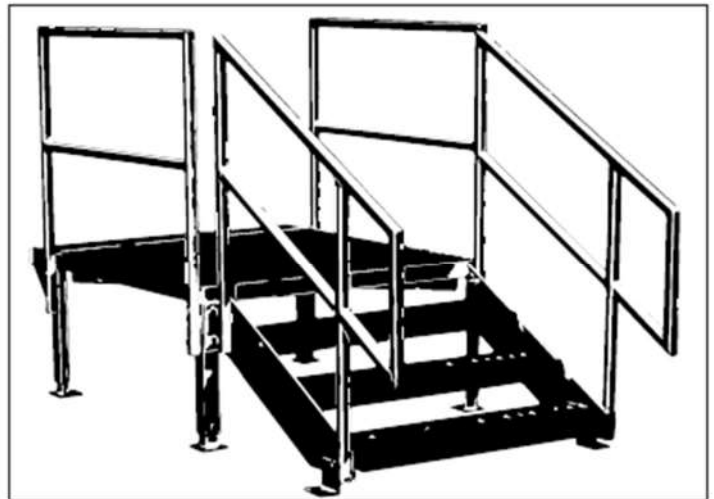
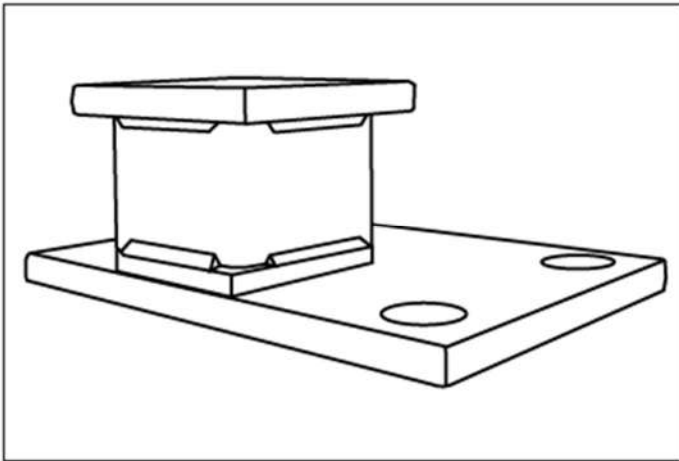
Product #	Description	Weight	List Price
85385	Rocker Column Load Cell Replacement kit for DigiTol Cell **See catalog for details** **NOT COMPATIBLE WITH METTLER DigiTOL ELECTRONICS**	20 lbs.	\$1,628.00

Please visit the product page on the Nexus platform for information on what is included in these packages and notes.



Heavy Capacity Accessories are now capped at a 30% discount.
Contact Distribution Support with any questions

Truck Scale Options



Truck Scale Foundation Drawings

Foundation drawings must be requested on the order.
 No charge for the drawing if ordered with a standard scale.

Product #	Description	List Price	Product #	Description	List Price
90811	ABOVE GROUND FOUNDATION DWG	\$0.00	99191	DEEP PIER ILLINOIS DRAWING	\$0.00
90812	FULL SLAB FOUNDATION DWG	\$0.00	99192	ILLINOIS FULL SLAB PRINTS	\$0.00
90813	SHALLOW PIT FOUNDATION DWG	\$0.00			
90814	4' PIT DRAWINGS	\$0.00	90825	PIT - 5' WISCONSIN - DRAWING	\$0.00
90815	PIT - 5' - DRAWING	\$0.00	90826	PIT DRAWING WI-6'(6'6" TUNDRA)	\$0.00
90816	PIT - 6' - DRAWING	\$0.00			
90817	DEEP PIER - 4' - DRAWING	\$0.00	90827	ABOVE GROUND - CALIFORNIA -DWG	\$0.00
			90828	FULL SLAB - CALIFORNIA - DRAW	\$0.00
90819	ABOVE GROUND - IOWA - DRAWING	\$0.00	90829	PIT, SHALLOW - CALIFORNIA -DRW	\$0.00
90820	FULL SLAB - IOWA - DRAWING	\$0.00	90830	4' CALIFORNIA PIT DRAWINGS	\$0.00
90821	PIT - 5' IOWA - DRAWING	\$0.00			
90822	PIT DRAWING IA 6' (6'6" TUNDRA)	\$0.00	90832	DEEP PIER ND-6'(6'6" TUNDRA)	\$0.00
			90833	DEEP PIER - 7' NORTH DAKOTA	\$0.00
			90834	DEEP PIER - 8' NORTH DAKOTA	\$0.00

Notes:

- It is the responsibility of the local personnel to know the requirements of the state and county where the scale will be installed and order the appropriate prints accordingly.
- Drawings not listed here are quoted through Solutions Group.
- Lead time for standard certified drawings is three (3) weeks before the scheduled ship date of the scale.
- Certified drawings are sent to the ASM, Distributor, and/or Customer Service Centers ONLY.
- Soft copy "Type S" drawings only provided in PDF format.

124999 PROFESSIONAL ENGINEER SEAL

NET
 PRICE
 \$700.00

Notes:

- Required for California foundation drawings.
- Add one (1) additional week to standard drawing lead time for P.E. stamped drawings.
- No further discount applies.

FOR RAIL SCALE FOUNDATIONS, SEE THE RAILROAD TRACK SCALES SECTION.



Rub Rails – Single Rail Design

Single Rail RubRails - for BOTH SIDES of the scale

Part #	Description	Ship Weight	List Price
91673	10' RUB RAIL FACTORY INSTALLED	180 lbs	\$964.00
91674	15' RUB RAIL FACTORY INSTALLED	260 lbs	\$1,443.00
91675	20' RUB RAIL FACTORY INSTALLED	350 lbs	\$1,922.00
91676	23' RUB RAIL FACTORY INSTALLED	460 lbs	\$2,207.00
165930	27' RUB RAIL FACTORY INSTALLED	500 lbs	\$2,612.00
91677	30' RUB RAIL FACTORY INSTALLED	525 lbs	\$2,877.00
89892	35' RUB RAIL FACTORY INSTALLED	615 lbs	\$3,320.00
91678	40' RUB RAIL FACTORY INSTALLED	700 lbs	\$3,839.00
91679	47' RUB RAIL FACTORY INSTALLED	825 lbs	\$4,511.00
91680	60' RUB RAIL FACTORY INSTALLED	1050 lbs	\$5,762.00
91681	70' RUB RAIL FACTORY INSTALLED	1225 lbs	\$7,321.00
158357	75' RUB RAIL FACTORY INSTALLED	1315 lbs	\$7,497.00
91682	80' RUB RAIL FACTORY INSTALLED	1400 lbs	\$7,680.00
91683	90' RUB RAIL FACTORY INSTALLED	1575 lbs	\$8,640.00
91684	100' RUB RAIL FACTORY INSTALLED	1750 lbs	\$9,600.00
91685	110' RUB RAIL FACTORY INSTALLED	1900 lbs	\$10,146.00
154882	117' RUB RAIL FACTORY INSTALLED	2000 lbs	\$11,058.00
91686	120' RUB RAIL FACTORY INSTALLED	2150 lbs	\$11,240.00

Rub Rails are capped at a 30% Discount

Single Rail RubRails - for ONLY ONE SIDE of the scale --FOR NEW SCALES ONLY--

Part #	Description	Ship Weight	List Price
91673S	10' rail - 10' rail - Single Rail Rub Rails - for only one side of the scale	90 lbs	\$481.00
91674S	15' rail - 15' rail - Single Rail Rub Rails - for only one side of the scale	130 lbs	\$722.00
91675S	20' rail - 20' rail - Single Rail Rub Rails - for only one side of the scale	175 lbs	\$964.00
91676S	23' rail - 23' rail - Single Rail Rub Rails - for only one side of the scale	230 lbs	\$1,104.00
165930S	27' rail - Single Rail Rub Rails - for only one side of the scale	250 lbs	\$1,303.00
91677S	30' rail - 30' rail - Single Rail Rub Rails - for only one side of the scale	263 lbs	\$1,441.00
89892S	35' rail - 35' rail - Single Rail Rub Rails - for only one side of the scale	988 lbs	\$1,661.00
91678S	40' rail - 40' rail - Single Rail Rub Rails - for only one side of the scale	350 lbs	\$1,920.00
91679S	47' rail - 47' rail - Single Rail Rub Rails - for only one side of the scale	413 lbs	\$2,258.00
91680S	60' rail - 60' rail - Single Rail Rub Rails - for only one side of the scale	525 lbs	\$2,881.00
91681S	70' rail - 70' rail - Single Rail Rub Rails - for only one side of the scale	613 lbs	\$3,660.00
158357S	75' rail - Single Rail Rub Rails - for only one side of the scale	658 lbs	\$3,749.00
91682S	80' rail - 80' rail - Single Rail Rub Rails - for only one side of the scale	700 lbs	\$3,842.00
91683S	90' rail - 90' rail - Single Rail Rub Rails - for only one side of the scale	788 lbs	\$4,319.00
91684S	100' rail - 100' rail - Single Rail Rub Rails - for only one side of the scale	875 lbs	\$4,801.00
91685S	110' rail - 110' rail - Single Rail Rub Rails - for only one side of the scale	950 lbs	\$5,073.00
154882S	117' rail - Single Rail Rub Rails - for only one side of the scale	1000 lbs	\$5,528.00
91686S	120' rail - 120' rail - Single Rail Rub Rails - for only one side of the scale	1075 lbs	\$5,620.00

Rub Rails are capped at a 30% Discount

Notes:

- For Talon, Trident, and Titan standard size scales.
- Single rail Rub Rails come standard, factory installed, on 11' wide scales.

For greater than 10' wide scales, ALL Portable Vehicle Scales, and dual pipe rub rails, they DO NOT come factory-installed.

- For any replacement rub rails, please contact Solutions Group to ensure proper design and fit for scale.
- For rub rail dimensions (all aboveground scales) please see the product page or contact the product manager.



Rub Rails - Dual Rail Design

Part #	Description	Length	Weight	List Price
91673D	10'DUAL RUB RAIL FIELD INSTALL	10'	360 lbs	\$1,803.00
91674D	15'DUAL RUB RAIL FIELD INSTALL	15'	520 lbs	\$2,704.00
91675D	20'DUAL RUB RAIL FIELD INSTALL	20'	700 lbs	\$3,605.00
91676D	23'DUAL RUB RAIL FIELD INSTALL	23'	920 lbs	\$4,147.00
165930D	27'DUAL RUB RAIL FIELD INSTALL	27'	1000 lbs	\$4,774.00
91677D	30'DUAL RUB RAIL FACT INSTALL	30'	1050 lbs	\$5,409.00
89892D	35'DUAL RUB RAIL FIELD INSTALL	35'	1230 lbs	\$6,309.00
91678D	40'DUAL RUB RAIL FIELD INSTALL	40'	1230 lbs	\$7,211.00
91679D	47'DUAL RUB RAIL FIELD INSTALL	47'	1400 lbs	\$8,475.00
91680D	60'DUAL RUB RAIL FIELD INSTALL	60'	2100 lbs	\$10,819.00
91681D	70'DUAL RUB RAIL FIELD INSTALL	70'	2450 lbs	\$12,618.00
158357D	75'DUAL RUB RAIL FIELD INSTALL	75'	2620 lbs	\$13,520.00
91682D	80'DUAL RUB RAIL FIELD INSTALL	80'	2800 lbs	\$14,423.00
91683D	90'DUAL RUB RAIL FIELD INSTALL	90'	3150 lbs	\$16,225.00
91684D	100'DUAL RUB RAIL FIELD INSTALL	100'	3500 lbs	\$18,030.00
91685D	110'DUAL RUB RAIL FIELD INSTALL	110'	4100 lbs	\$19,833.00
154883D	117'DUAL RUB RAIL FIELD INSTALL	117'	4100 lbs	\$21,416.00
91686D	120'DUAL RUB RAIL FIELD INSTALL	120'	4300 lbs	\$21,634.00

Rub Rails are capped at a 30% Discount

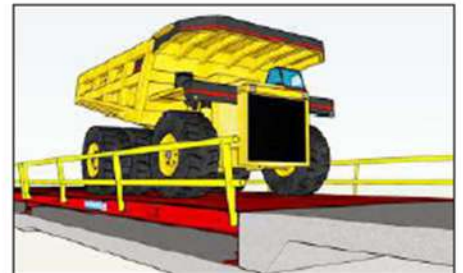
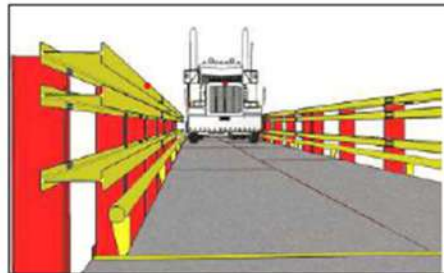
**Note: Rails must be installed in the field.
For all other scales, please contact Solutions Group.**



Guardrail Restraint System

Systems available for highway legal vehicles and for off-road vehicles

- Complete form 101540 and submit a Heavy Capacity Solutions request information
- Reference document 101538 to get the facts on MSHA guardrail requirements and Also refer to SDL 6910



****MSHA Guard Rail Restraint Systems available through Solutions**




Truck Scale Riser Plates

Part #	Description	Height	Weight	List Price
108302	2" RISER PLATE (ONE RISER)	2"	32 lb	\$321.00
108304	4" RISER PLATE (ONE RISER)	4"	35 lb	\$370.00
108307	7" RISER PLATE (ONE RISER)	7"	40 lb	\$402.00

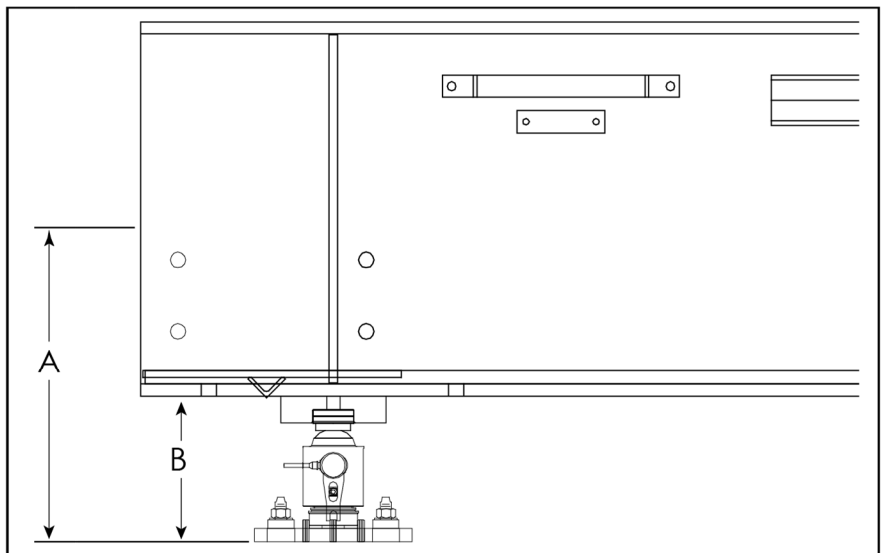
Notes:

Other sizes available through solutions

 <ul style="list-style-type: none"> Mandatory for states that have special clearance requirements. A drawing addendum with the correct approach height will be supplied with standard certified drawing if the riser plates are ordered with a new vehicle scale. One (1) load cell riser plate needed per load cell. Riser plates are not compatible with Highway System platforms. Contact Solutions Group. Load cell riser plates can be used on: <ul style="list-style-type: none"> — Talon HV and HVX Steel Deck — Talon HV and HVX Field Pour — Trident — Titan Steel Deck — Tracker VS and VSX 	<p style="text-align: center;">Riser Plates tables and drawings</p> <p>Dimension A: Represents the approach height of the scale. The approach height is the measurement from the top of the pier to the top of the end wall pit coping (or the top of the scale).</p> <p>Dimension B: Represents minimum clearance beneath the scale. The minimum clearance is the measurement between the top of the pier and the lowest structural member of the scale.</p> <p>Undermount: An undermount scale does not have cover plates. The load cell is nested underneath the weighbridge (either between the two outer beams or underneath the outermost beam).</p> <p>Cover Plate: A cover plate or pit friendly scale uses removable plates to provide access to the load cells. The load cells are located between the weighbridge modules.</p>
---	--

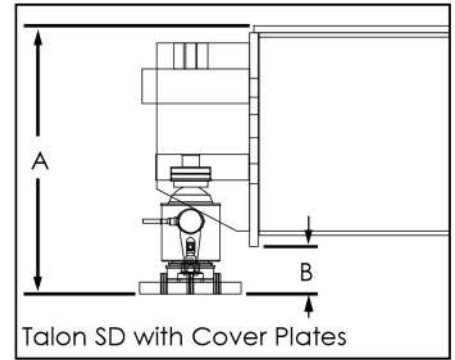
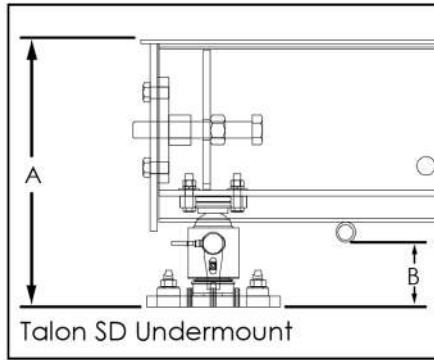
Truck Scale Approach Height - Tracker

Tracker Truck Scale Approach Height			
Riser Plates		Model	
Size	Dimension	VS	VSX
None	A	17 ³ / ₄ "	19 ³ / ₄ "
	B	8 ¹ / ₄ "	8 ¹ / ₄ "
2"	A	19 ³ / ₄ "	21 ³ / ₄ "
	B	10 ¹ / ₄ "	10 ¹ / ₄ "
4"	A	21 ³ / ₄ "	23 ³ / ₄ "
	B	12 ¹ / ₄ "	12 ¹ / ₄ "
7"	A	24 ³ / ₄ "	26 ³ / ₄ "
	B	15 ¹ / ₄ "	15 ¹ / ₄ "

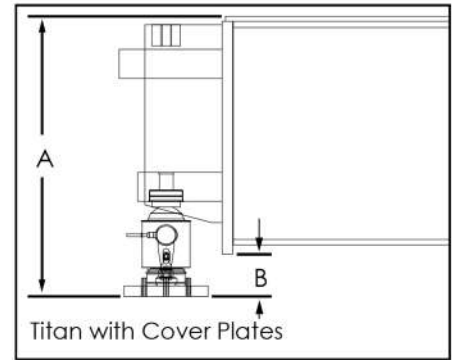
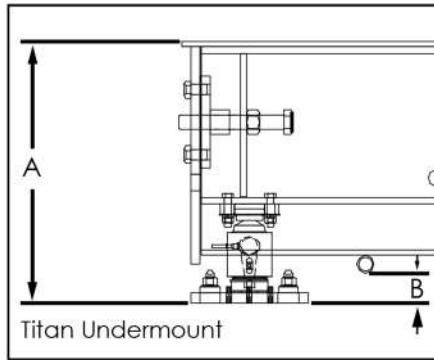


Truck Scale Approach Heights – Talons & Tridents

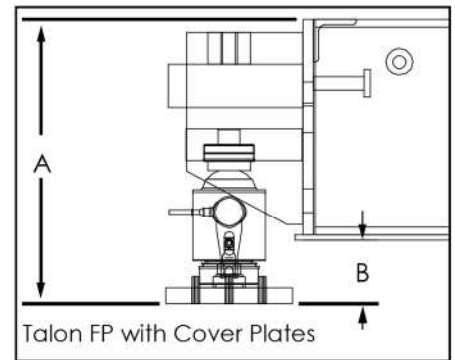
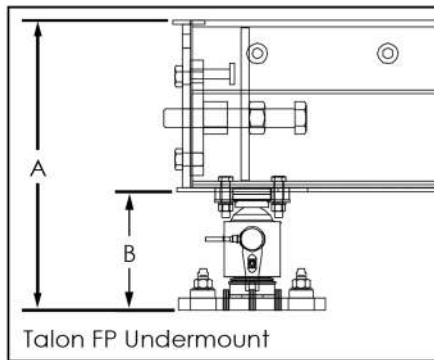
Talon Steel Deck Truck Scales Approach Height			
Riser Plates		HV AND HVX	
Size	Dimension	Undermount	Coverplate
None	A	18"	15 ³ / ₄ "
	B	4 ³ / ₈ "	2 ⁷ / ₈ "
2"	A	20"	17 ³ / ₄ "
	B	6 ³ / ₈ "	4 ⁷ / ₈ "
4"	A	22"	19 ³ / ₄ "
	B	8 ³ / ₈ "	6 ⁷ / ₈ "
7"	A	25"	22 ³ / ₄ "
	B	11 ³ / ₈ "	9 ⁷ / ₈ "



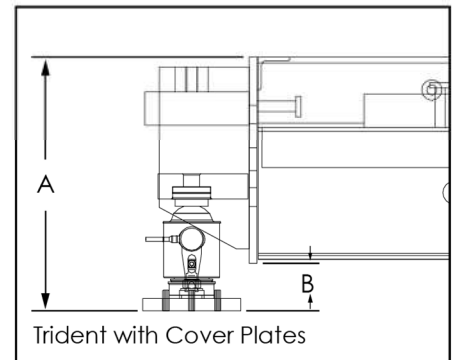
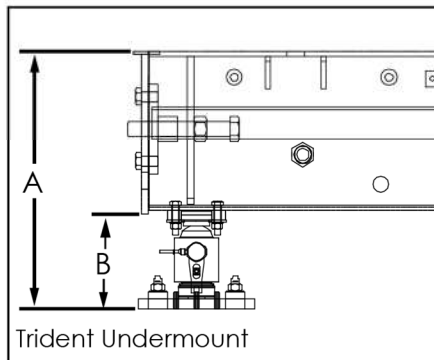
Titan Steel Deck Truck Scales Approach Height			
Riser Plates		Steel Deck	
Size	Dimension	Undermount	Coverplate
None	A	19 ⁷ / ₈ "	19 ⁷ / ₈ "
	B	2 ¹ / ₄ "	3"
2"	A	21 ⁷ / ₈ "	21 ⁷ / ₈ "
	B	4 ¹ / ₄ "	5"
4"	A	23 ⁷ / ₈ "	23 ⁷ / ₈ "
	B	6 ¹ / ₄ "	7"
7"	A	26 ⁷ / ₈ "	26 ⁷ / ₈ "
	B	9 ¹ / ₄ "	10"



Talon Field Pour Truck Scales Approach Height					
Riser Plates		HV		HVX	
Size	Dims	Undermount	Cover Plate	Undermount	Cover Plate
None	A	17 ⁵ / ₈ "	13 ³ / ₈ "	19 ³ / ₄ "	15 ³ / ₈ "
	B	7 ¹ / ₄ "	3"	7 ¹ / ₄ "	2 ⁷ / ₈ "
2"	A	19 ⁵ / ₈ "	15 ³ / ₈ "	21 ³ / ₄ "	17 ³ / ₈ "
	B	9 ¹ / ₄ "	5"	9 ¹ / ₄ "	4 ⁷ / ₈ "
4"	A	21 ⁵ / ₈ "	17 ³ / ₈ "	23 ³ / ₄ "	19 ³ / ₈ "
	B	11 ¹ / ₄ "	7"	11 ¹ / ₄ "	6 ⁷ / ₈ "
7"	A	24 ⁵ / ₈ "	20 ³ / ₈ "	26 ³ / ₄ "	22 ³ / ₈ "
	B	14 ¹ / ₄ "	10"	14 ¹ / ₄ "	9 ⁷ / ₈ "









Trident Precast Truck Scales Approach Height			
Riser Plates		80k CLC	
Size	Dimension	Undermount	Coverplate
None	A	19 ³ / ₄ "	15 ³ / ₈ "
	B	7 ¹ / ₄ "	2 ⁷ / ₈ "
2"	A	21 ³ / ₄ "	17 ³ / ₈ "
	B	9 ¹ / ₄ "	4 ⁷ / ₈ "
4"	A	23 ³ / ₄ "	19 ³ / ₈ "
	B	11 ¹ / ₄ "	6 ⁷ / ₈ "
7"	A	26 ³ / ₄ "	22 ³ / ₈ "
	B	14 ¹ / ₄ "	9 ⁷ / ₈ "



Remote Displays

Remote Displays					
Product #	Description	Display Size	Enclosure Rating	Weight	List Price
38041	FB1200 RESIN ALLOY ENCLOSURE, AC POWERED -	2.0"	NEMA 4	15 lbs.	\$673.00
38009	FB1200 STAINLESS STEEL ENCLOSURE, AC POWERED -	2.0"	NEMA 4X	15 lbs.	\$899.00
27720	1601 SERIES REMOTE DISPLAY - WITH DESK/WALL MOUNT BRACKET	1.5"	NEMA 4X	15 lbs.	\$1,390.00
26575	1605 SERIES REMOTE DISPLAY - WITH MOUNTING BRACKET	5.0"	NEMA 3	30 lbs.	\$2,274.00
29000	1605T DISPLAY W/TRAFFIC LIGHT - 5" REMOTE DISPLAY	5.0"	NEMA 3	30 lbs.	\$2,650.00
30981	1605RF WIRELESS 5" REMOTE DISP - INCLUDES 2 RF MODEMS	5.0"	NEMA 3	35 lbs.	\$3,557.00
31934	1605T-RF WIRELESS REMOTE DIS - WITH INTEGRATED TRAFFIC LIGHT	5.0"	NEMA 3	39 lbs.	\$4,172.00

Product #	Description	List Price
17216	1160 Accessory, 4-conductor 22-gauge cable - 1160 ACC OUTPUT CABLE	Price per foot \$1.00
27731	1600 SERIES REMOTE TEMPERATURE MODULE (1601 & 1605) - REMOTE DISPLAY	\$150.00
30006	MANUAL TRAFFIC LIGHT CONTROL BOX 120 VAC - FOR USE WITH 1605T OR ACC777 TRAFFIC LIGHT ONLY (FOR 220, ADD STEP-DOWN TRANSFORMER 93740) - MANUAL SWITCH OPERATION	\$688.00

Remote Display Images			
	FB1200 as a remote display		1601 Series Remote Display
	1605 Series Remote Display		1605T Display w/ Integrated Traffic Light
	1605RF Wireless Remote Display		1605T-RF Wireless Remote Display w/ integrated traffic light

Remote Display Tower for Highway Systems

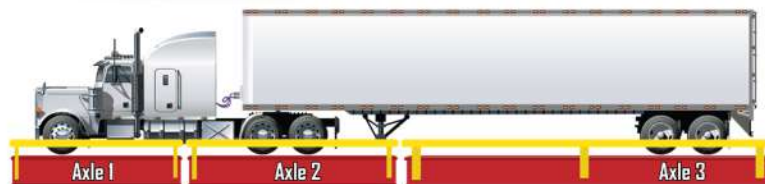


DON'T FORGET, INCLUDE A FAIRBANKS SCALES BUILT REMOTE DISPLAY TOWER FOR YOUR NEXT HIGHWAY SYSTEM APPLICATION.



Includes four (4) 1601 remote displays in a single enclosure to show the steer, drive and rear axle weights as well as the total weight and is compatible with most manufacturers highway system scales.

See page 16 for details



Coal Tar Undercoating Pricing & Information

- Pricing for each scale is listed in the respective charts below.
- Pricing for each scale is by model and size and is based upon the specific coating areas of each scale.
- Coal Tar coating is available on a new truck scale to help protect against the harshest elements.
- Coal Tar coatings are specifically designed and used for long-term adhesion and corrosion protection.
- To prevent corrosion and failure of steel in environments where corrosive and caustic materials are present, a robust coating is an excellent method of maximizing lifespan.
- Coal Tar option available for any new scale built in Meridian *if ordered originally with the scale.*
- For more detailed information about Coal Tar, refer to document #100289 available on the Intranet.

Coal Tar Undercoating

Length	Talon HV & HVX				Trident		
	Steel Deck		Field Pour		Factory Pour Deck		
	10' Wide	11' Wide	10' Wide	11' Wide	Length	10' Wide	11' Wide
10'	\$1,017	\$1,119	\$381	\$419	10'	\$890	\$979
15'	\$1,525	\$1,678	\$572	\$629	15'	\$1,335	\$1,468
20'	\$2,034	\$2,237	\$763	\$839	20'	\$1,780	\$1,958
23'	\$2,339	\$1,715	\$877	\$965	23'	\$2,373	\$2,251
30'	\$2,034	\$2,237	\$1,144	\$1,258	30'	\$2,788	\$1,958
40'	\$2,712	\$2,983	\$1,525	\$1,678	40'	\$3,559	\$2,610
47'	\$3,186	\$3,505	\$1,792	\$1,972	47'	\$4,153	\$3,067
60'	\$4,068	\$4,475	\$2,288	\$2,517	60'	\$4,449	\$3,915
70'	\$4,746	\$5,220	\$1,780	\$1,958	70'	\$4,746	\$4,568
75'	\$5,085	\$5,593	\$1,907	\$2,097	75'	\$5,339	\$4,894
80'	\$5,424	\$5,966	\$2,034	\$2,237	80'	\$4,746	\$5,220
90'	\$6,102	\$6,712	\$2,288	\$2,518	90'	\$5,339	\$5,873
100'	\$6,780	\$7,458	\$2,542	\$2,797	100'	\$5,932	\$6,525
110'	\$7,458	\$8,203	\$2,797	\$3,076	110'	\$6,525	\$7,178
117'	\$7,932	\$8,725	\$2,975	\$3,272	117'	\$6,941	\$7,635
120'	\$8,136	\$8,949	\$3,051	\$3,356	120'	\$7,119	\$7,831

Tundra XL & XLT			Type S			Titan Truck Scales		
Length	10' Wide	11' Wide	Length	10' Wide	12' Wide	Length	10' Wide	12' Wide
10'	\$508	\$559	24'	\$1,220	\$1,464	27'	\$1,945	\$2,139
20'	\$1,017	\$1,119	30'	\$1,525	\$1,831	30'	\$2,161	\$2,377
30'	\$1,525	\$1,678	34'	\$1,729	\$2,075	35'	\$2,521	\$2,773
40'	\$2,034	\$2,237	50'	\$1,695	\$2,034	60'	\$4,322	\$4,754
50'	\$1,695	\$1,864	60'	\$2,034	\$2,441	70'	\$5,042	\$5,547
60'	\$2,034	\$2,237	70'	\$2,373	\$2,847	80'	\$5,763	\$6,339
70'	\$2,343	\$2,610	80'	\$2,712	\$3,254	90'	\$6,483	\$7,131
80'	\$2,712	\$2,983				105'	\$7,564	\$8,320
90'	\$3,051	\$3,356						
100'	\$3,390	\$3,729						
110'	\$3,729	\$4,102						
120'	\$4,068	\$4,475						

PRICING BASED ON SQUARE FOOTAGE COVERED ON EACH SCALE AND REPRESENTS PRICE BREAK AT HIGHER SQUARE FOOTAGE.



Coal Tar Undercoating Information

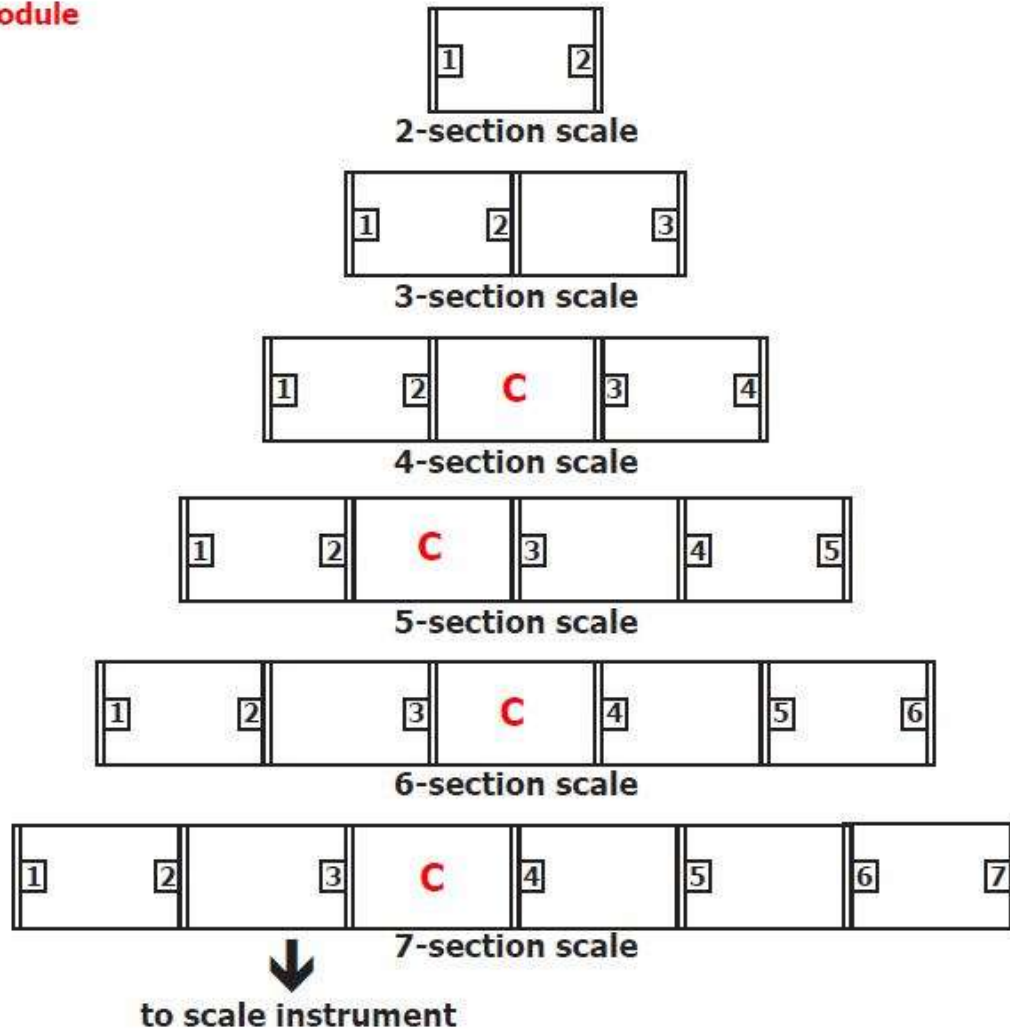
- Coal Tar undercoating option is available on any new truck scale to help protect against the harshest elements.
- Coal tar coatings are specifically designed and used for long-term adhesion and corrosion protection.
- To prevent corrosion and failure of steel in environments where corrosive and caustic materials are present, a robust coating is an excellent method of maximizing lifespan.

Specifications:	
High Solids	YES
Single Component	YES
Dry Film Thickness (DFT)	12 mil
Water-Based	NO



- Coal Tar coating option available for any new scale built in Meridian. For pricing on any size or scale type not listed, contact Solutions Group.
- Please allow for up to 1 week of additional lead time for coal tar coating.
- For more detailed information about Coal Tar, refer to document #100289 available on the Intranet.
- Pricing is for standard Coal Tar coverage of scale weighbridges below the top deck. Coal Tar coverage is based on each unique scale design to cover everything below the top deck of the scale. ("Type S" levers are not included.) This does NOT include coping, base plates, or embeds.
 - **Talon and Titan Steel Deck:** I-beams and sides are covered with coal tar; top deck is painted in standard Fairbanks Red.
 - **Talon Field Pour:** Outer I-beams and underneath of scale are covered with coal tar; top edges of scale are painted in standard Fairbanks Red. Inside of field pour modules will be primed for concrete.
 - **Trident:** Outer I-beams and underneath of scale are covered with coal tar; top edges of scale are painted in standard Fairbanks Red.
 - **Tundra:** All I-beams and cross members are covered with coal tar; steel concrete frame is painted in Fairbanks Red.
 - **Type S:** All I-beams and cross members are covered with coal tar; steel concrete frame is painted in Fairbanks Red. Levers are NOT coal tarred.

C = center module



Manholes for Standard Titan, Talon & Trident Truck Scales			
Location	Product #	Description	List Price
1	150701	MANHOLE STANDARD LOCATION #1	\$1,176.00
2	150702	MANHOLE STANDARD LOCATION #2	\$1,176.00
3	150703	MANHOLE STANDARD LOCATION #3	\$1,176.00
4	150704	MANHOLE STANDARD LOCATION #4	\$1,176.00
5	150705	MANHOLE STANDARD LOCATION #5	\$1,176.00
6	150706	MANHOLE STANDARD LOCATION #6	\$1,176.00
7	150707	MANHOLE STANDARD LOCATION #7	\$1,176.00

Notes:

- Must be ordered with the scale
- Scale must be pit-friendly (cover plate) design
- Cover plates not included – must be included on the initial order.
- For manhole locations not shown, contact Solutions Group with completed form 101565.
- Add one (1) week to lead time for manholes.
- For Standard products ONLY.
- **Manhole requirements for special scales must be submitted to the Solutions Group.**

Safety Stairs

SPECIFICATIONS	
Platform Dimensions	4' x 4'
Step Dimensions	4' W x 11" D
Step and Platform Tread	14 Gage Galvanized Grip Strut
Step Stringers	¼" A36 Plate Steel
Frame/Handrail Construction	A36 Square Steel Tubing
Frame	A36 Angle
Frame/Handrail Finish	Highly Visible Yellow Epoxy Paint

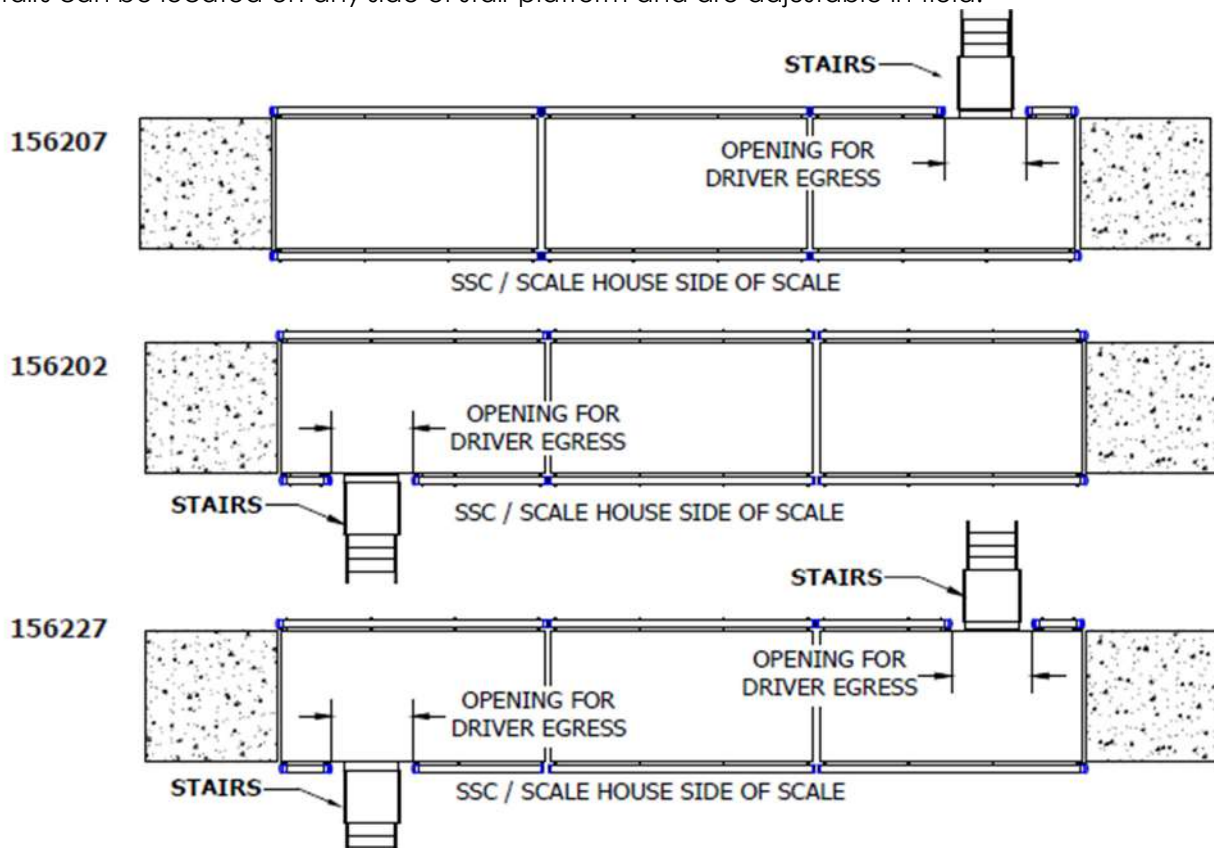


Fairbanks Safety Stairs

Product #	Description	Shipping Weight	List Price
153720	23" TRUCK SCALE SAFETY STAIRS	500 lbs.	\$5,461.00
163392	18" TRUCK SCALE SAFETY STAIRS	400 lbs.	\$5,461.00

Notes:

- **If using rub rails, see below for rub rail cut-out configuration and corresponding product numbers.**
- Elevation is adjustable $\pm 1.5"$ for leveling needs.
- Please see Truck Scale Approach Height Options page in the Truck Scale Options section for standard scale profile heights and the differential between that height and the safety stairs platform height of 1'11" for accurate and acceptable step height dimensions.
- For use with dual rub rails, please contact Solutions Group.
- Safety stairs foundation drawing located on the Intranet.
- Rub rail opening begins 7'6" from module end on 20' panels, 8'0" on 23' panels.
- For other configurations, submit a Solutions Group request.
- Stairs can be located on any side of stair platform and are adjustable in-field.



Deck Runners, Pit Coping and T-Belting

Factory Installed Deck Runners (1/4" x 30" x Module Length)

HC Accessories are capped at 30% discount - this includes Deck Runners

Product #	Description	Weight	NET Price
91661	10' DECK RUNNER - FACTORY INSTALLED	520 lbs	\$1,489.00
91662	15' DECK RUNNER - FACTORY INSTALLED	780 lbs	\$2,110.00
91663	20' DECK RUNNER - FACTORY INSTALLED	1040 lbs	\$2,715.00
91664	23' DECK RUNNERS - FACTORY INSTALLED	1200 lbs	\$3,116.00
91665	30' DECK RUNNERS - FACTORY INSTALLED	1560 lbs	\$4,217.00
89893	35' DECK RUNNERS - FACTORY INSTALLED	1820 lbs	\$4,851.00
91666	40' DECK RUNNERS - FACTORY INSTALLED	2080 lbs	\$5,424.00
91667	47' DECK RUNNERS - FACTORY INSTALLED	2400 lbs	\$6,233.00
91668	60' DECK RUNNERS - FACTORY INSTALLED	3120 lbs	\$8,140.00
91669	70' DECK RUNNERS - FACTORY INSTALLED	3600 lbs	\$9,345.00
158355	75' DECK RUNNERS - FACTORY INSTALLED	3900 lbs	\$9,703.00
91670	80' DECK RUNNERS - FACTORY INSTALLED	4160 lbs	\$10,847.00
91671	90' DECK RUNNERS - FACTORY INSTALLED	4640 lbs	\$12,471.00
91672	100' DECK RUNNERS - FACTORY INSTALLED	5260 lbs	\$13,559.00
91687	110' DECK RUNNERS - FACTORY INSTALLED	5530 lbs	\$14,297.00
154880	117' DECK RUNNERS - FACTORY INSTALLED	5998 lbs	\$15,009.00
91688	120' DECK RUNNERS - FACTORY INSTALLED	5810 lbs	\$15,401.00

Pit Coping for At-Grade Installation

HC Accessories are capped at 30% discount - this includes Pit Coping

Product #	Description	Weight	List Price
169608	23' Pit Coping for at-grade installation - FOR COVER PLATED SCALES ONLY	147 lbs	\$504.00
169606	15' Pit Coping for at-grade installation - FOR COVER PLATED SCALES ONLY	95 lbs	\$294.00
169607	20' Pit Coping for at-grade installation - FOR COVER PLATED SCALES ONLY	128 lbs	\$434.00
169608	23' Pit Coping for at-grade installation - FOR COVER PLATED SCALES ONLY	147 lbs	\$504.00
169609	27' Pit Coping for at-grade installation - FOR COVER PLATED SCALES ONLY	173 lbs	\$572.00
169610	30' Pit Coping for at-grade installation - FOR COVER PLATED SCALES ONLY	192 lbs	\$618.00
169611	35' Pit Coping for at-grade installation - FOR COVER PLATED SCALES ONLY	224 lbs	\$704.00
169612	40' Pit Coping for at-grade installation - FOR COVER PLATED SCALES ONLY	255 lbs	\$794.00
169613	47' Pit Coping for at-grade installation - FOR COVER PLATED SCALES ONLY	300 lbs	\$885.00
169614	60' Pit Coping for at-grade installation - FOR COVER PLATED SCALES ONLY	383 lbs	\$1,126.00
169615	70' Pit Coping for at-grade installation - FOR COVER PLATED SCALES ONLY	447 lbs	\$1,325.00
169616	75' Pit Coping for at-grade installation - FOR COVER PLATED SCALES ONLY	478 lbs	\$1,421.00
169617	80' Pit Coping for at-grade installation - FOR COVER PLATED SCALES ONLY	511 lbs	\$1,520.00
169618	90' Pit Coping for at-grade installation - FOR COVER PLATED SCALES ONLY	574 lbs	\$1,729.00
169619	100' Pit Coping for at-grade installation - FOR COVER PLATED SCALES ONLY	638 lbs	\$1,941.00
169620	105' Pit Coping for at-grade installation - FOR COVER PLATED SCALES ONLY	670 lbs	\$2,046.00
169621	110' Pit Coping for at-grade installation - FOR COVER PLATED SCALES ONLY	702 lbs	\$2,150.00
169622	117' Pit Coping for at-grade installation - FOR COVER PLATED SCALES ONLY	744 lbs	\$2,298.00
169623	120' Pit Coping for at-grade installation - FOR COVER PLATED SCALES ONLY	785 lbs	\$2,314.00
169624	15', 15', 40' Highway System Pit Coping for at-grade installation - FOR COVER PLATED SCALES ONLY	462 lbs	\$1,604.00
169625	10', 20', 40' Highway System Pit Coping for at-grade installation - FOR COVER PLATED SCALES ONLY	462 lbs	\$1,604.00

Note: Identify product number with corresponding scale length

Deck Runners & Pit Coping are capped at a 30% Discount



EPDM Rubber T-Belting

Product #	Description	List Price
64315	T STRIP BELTING (EPDM Rubber T-Belting) - PRICED PER FOOT	\$7.00

Note: Order by the foot, ships LTL carrier

Steel T-Belting

Product #	Description	Weight	List Price
83040	STEEL T-BELT, 10' LENGTH	90 lbs	\$355.00
85495	STEEL T-BELT, 11' LENGTH	99 lbs	\$383.00
107020	STEEL T-BELT, 12' LENGTH	108 lbs	\$456.00
154959	STEEL T-BELT, 14' LENGTH	126 lbs	\$464.00

HC Accessories are capped at 30% discount - this includes T-Belting

Note:

- Product number is for one each T-belt; typically two are required per scale, one on each end.
- Painted safety yellow.
- Identify product number with corresponding scale width.
- 4" wide x 5/16" thick horizontal leg and 4" long x 1/4" thick vertical leg.
- **Designed for above-ground scales that do not have cover plates.**
 - Cover plate T-Belting available through Solutions



Dress Cover Plates

Dress Cover Plates

Product #	Description	Shipping Weight	List Price
107075	10" Dress plate cover kit	10 lbs.	\$269.00

- Note:**
- 107075 Dress Plate Cover Kit includes enough parts to cover one (1) of the following: Analog section box, Intalogix section box, or Intalogix pit power supply box.
 - 107075 Dress plate cover kit will work on all above ground (no cover plates) **Talon HV and HVX Steel Decks, and Talon HV Field Pours.**

107587	12" Dress plate cover kit	10 lbs.	\$269.00
--------	---------------------------	---------	----------

- Note:**
- 107587 Dress Plate Cover Kit includes enough parts to cover one (1) of the following: Analog section box, Intalogix section box, or Intalogix pit power supply box.
 - 107587 Dress Plate Cover Kit will work on all above ground **Talon HVX Field Pours and Titans.**

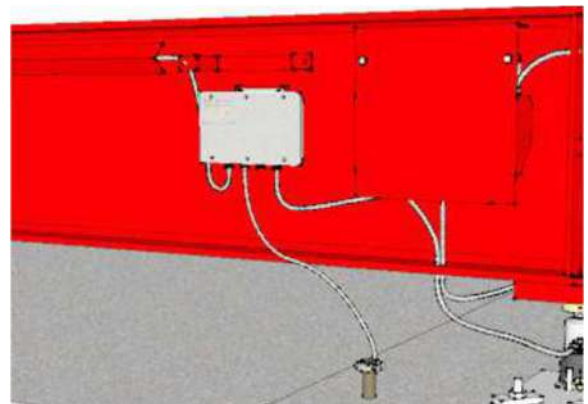
144407	DRESS PLATE COVER KIT,PLT-4200	10 lbs.	\$269.00
--------	--------------------------------	---------	----------

- Note:**
- 144407 Dress Plate Cover Kit includes enough parts to cover one (1) of the following:
 - Analog section box
 - Intalogix Section Box or
 - Intalogix Pit Power Supply Box
 - 144407 Dress Plate Cover Kit will work on all above ground tracker models

Dress Cover Plates are capped at a 30% Discount



Talon HV Field Pour equipped with 107075 Dress Plate Cover Kit



Tracker image with and without 144407 Dress Plate Cover

Load Cell Boots

Load Cell Boots

Product #	Description	Shipping Weight	List Price
157992	LOAD CELL BOOT FOR PR 6221 LOAD CELL	2 lbs.	\$18.00

Notes:

- One (1) load cell boot needed per load cell
- Load cell boots can be used on:
 - Talon HV, HVX and Talon PV
 - Titan and Titan PV
 - Tundra
 - Tracker VS and VSX
 - Trident



Load Cell Locating Tools

Load Cell Locating Tools

Product #	Description	List Price
157069	LOCATING TOOL FOR PR6221 CELL	\$107.07
71717	LOCATING TOOL 5 1/2"	\$174.07
107118	LOCATING TOOL 6"	\$174.00

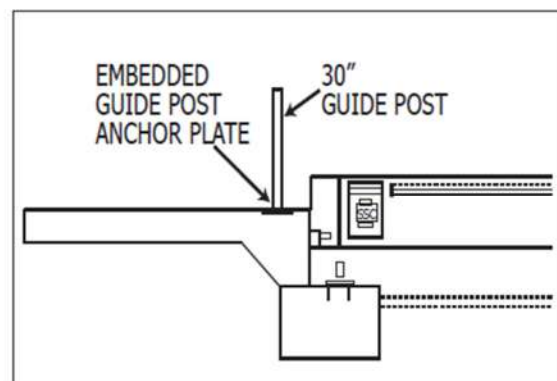
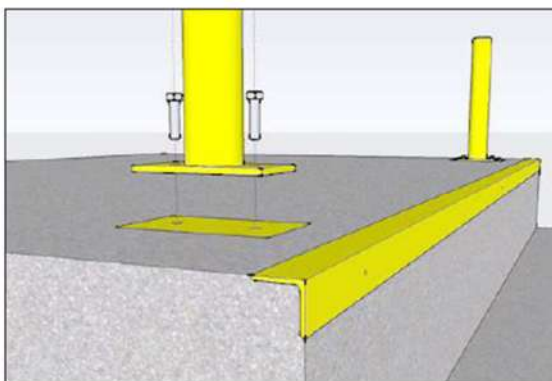
Guide Posts

Guide Post Kit

Product #	Description	Shipping Weight	List Price
144411	GUIDE POST KIT, EMBEDDED	120 lbs.	\$1,107.00

Notes:

- Two (2) guideposts and two (2) anchor plates per kit.
- Anchor plates must be embedded in approach
- Secure guideposts with grade 2 bolts or lower only.



Analog Truck Scale Option

Price Includes:	Price does not include:
<ul style="list-style-type: none"> • Analog sectional controllers (21912) • Accessory 1161 (17204) – 50' home run cable • Accessory 789 (23143) AC SVP • Accessory 529 (144728) Load cell SVP • Accessory 1161 (17204) cable for 21912 interconnect <ul style="list-style-type: none"> ○ Field-cut to length ○ Length provided varies by number of 21912s used 	<ul style="list-style-type: none"> • Intalogix Technology • Smart Sectional Controllers • Pit Power Supply • Accessory 1145 (17246) home run cable • Accessory 1147 (15602) SSC interface cables • Instrument and printer

The following option is used to remove Intalogix Technology from a standard truck scale and replace with analog controllers — see list below. This must be ordered with the scale.

Analog Truck Scale Option

Product #	Description	List Price
156800	Analog Truck Scale Option - Analog Version	\$0.00
	No charge when ordered with a truck scale For use with analog instrumentation only	

Notes:

- Add 156800 as a no-cost line item to your order to obtain an analog version of the scale you are ordering.
- Replaces SSCs with analog sectional controllers (21912).
- Analog sectional controllers mount the same way as SSCs, and in the same locations.
- It is the responsibility of local Sales/Service to determine if the analog scale will provide required microvolts per division required for the analog instrument to be used.
- **Must be on the same order as the scale.**
- **For new orders only.**

156800 can be used with the following scales:

- Talon
- Titan
- Trident
- Talon PV
- Titan PV
- Tracker
- Tundra

156800 cannot be used with the following scales:

- Type "S"
- PALS
- Matrix



Traffic Lights & Traffic Light Accessories

Product #	Description	Weight	List Price
183381	TL1 – One-direction Traffic Light – 8", 2 section with Tunnel Visor with red/green LED modules	20 lbs	\$704.00
183488	TL2 – Two-direction Traffic Light – 8", 2 section with Tunnel Visor with red/green LED modules	45 lbs	\$1,562.00
183461	Traffic Light Replacement LED Module - Red	lbs	\$133.67
183462	Traffic Light Replacement LED Module - Green	lbs	\$182.83
105632	TL1 WALL MOUNT KIT FOR TRAFFIC SIGNALS, CONDUIT ENTRY THROUGH WALL & REQUIRES 85293	20 lbs	\$138.00
105634	TL1 WALL MOUNT KIT FOR TRAFFIC SIGNALS, CONDUIT ENTRY THROUGH BOTTOM BRACKET & REQUIRES 85293	20 lbs	#N/A
85294	8' ALUMINUM POLE FOR TRAFFIC LIGHT, 4-1/2"OD (NATURAL FINISH)	35 lbs	\$485.00
155645	10' ALUMINUM POLE FOR TRAFFIC LIGHT, 4-1/2"OD (NATURAL FINISH)	39 lbs	\$584.00
155646	12' ALUMINUM POLE FOR TRAFFIC LIGHT, 4-1/2"OD (NATURAL FINISH)	44 lbs	\$681.00
85295	SQUARE BASE, 4.5" THREADED TOP (DRAWING 85295)	23 lbs	\$507.00
85296	ALUMINUM POLE CAP NATURAL FINISH	3 lbs	\$52.00
144565	DRILL-IN-PLACE ANCHOR BOLTS W/ EPOXY, .75" X 9.625" LONG (SET OF 4)	10 lbs	\$387.00
86573	SLIPFITTER, 4.5" TRI-STUD	5 lbs	\$136.00
29001	ACC 777- LED TRAFFIC LIGHT (HARD WIRED - NO AC CARD INCLUDED, REQUIRES 86573 SLIPFITTER OR 29769 WALL MOUNT PLATE FOR MOUNTING, TRAFFIC CONTROL BOX NOT INCLUDED)	20 lbs	\$797.00

Notes:

- Poles, mounting hardware and cables not included.
- Traffic lights do not include control box. Add traffic light control box.
- 29001 and 29769 – FOB St. Johnsbury, Vermont.

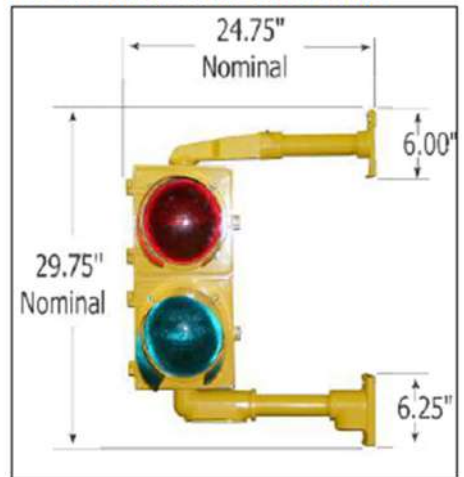
85293 – One directional



86019 – Two directional



85293 with Wall-mount Kit



Traffic Light Kits

Product #	Description	Shipping Weight	List Price
183489	TRAFFIC LIGHT KIT, 1 DIRECTION	88 lbs.	\$2,031.00
183381	TL1 – One-direction Traffic Light – 8", 2 section with Tunnel Visor with red/green LED modules	20 lbs.	\$704.00

Includes:

- | | |
|--|--|
| (1) Traffic light, 8" 2-section 1-direction, tunnel visor with red/green poly lens | (1) Drill-in-place anchor bolts, with epoxy, 3/4" x 9 5/8" long – Set of 4 |
| (1) Slipfitter, 4 1/2" tri-stud, one direction | (1) Square base, 4 1/2" thread |
| (1) 4 1/2" O.D. x 8' pole, aluminum, natural finish | (2) Light bulb |

Product #	Description	Shipping Weight	List Price
183490	TRAFFIC LIGHT KIT, 2 DIRECTION	116 lbs.	\$2,888.00
183488	TL2 – Two-direction Traffic Light – 8", 2 section with Tunnel Visor with red/green LED modules	45 lbs.	\$1,562.00

Includes:

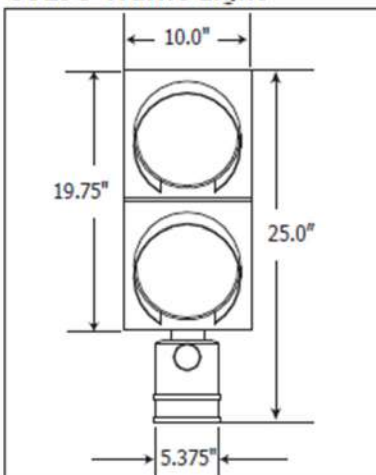
- | | |
|---|--|
| (2) Traffic light 8" 2-section, 1-direction tunnel visor with red/green poly lens | (1) Drill-in-place anchor bolts, with epoxy, 3/4" x 9 5/8" long – Set of 4 |
| (1) Two-way top bracket, tri-stud | (1) Two-way bottom bracket, mono-stud |
| (1) Slipfitter, 4 1/2" tri-stud, one direction | (1) 4 1/2" O.D. x 8' pole, aluminum, natural finish |
| (1) Square base, 4 1/2" thread | (4) Light bulb |

Note:

- Traffic light kits do not include control box. Add for traffic light control box.

Product #	Description	Shipping Weight	List Price
	TL1 & TL2 TRAFFIC LIGHT CONTROL BOXES		
11340	700 ACCESSORY, MANUAL TRAFFIC LIGHT BOX (NOT FOR USE WITH 1605T OR ACC 777 TRAFFIC LIGHTS ONLY)	14 lbs.	\$706.00
	1605T - ACC 777 LED TRAFFIC LIGHT CONTROL BOXES		
30006	MANUAL TRAFFIC LIGHT CONTROL BOX 120 VAC - FOR USE WITH 1605T OR ACC777 TRAFFIC LIGHT ONLY (FOR 220, ADD STEP-DOWN TRANSFORMER 93740)	14 lbs.	\$688.00

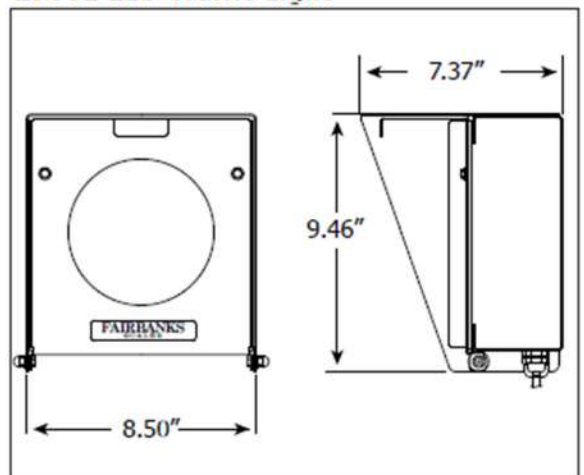
85293 Traffic Light



29001 – ACC 777 LED Traffic Light



29001 LED Traffic Light



Truck Scale Rental Program



TALON PV



TITAN PV



PALS

Standard pricing WITH rub rails – Contract price based on term

Description	Price
70' x 10' Steel Deck Portable Vehicle Scale (Titan or Talon HV)	
One (1) month contract	\$3,800
Two (2) or three (3) month contract	\$3,400 per month
Four (4) to twelve (12) month contract	\$2,700 per month
<ul style="list-style-type: none"> Cleaning fee for scales that are returned dirty 	\$400 per scale (NET price)
Steel deck ramp and approach set pricing	\$1,000 per month
<ul style="list-style-type: none"> Cleaning fee for ramps and approaches that are returned dirty 	\$200 per set (NET price)
Portable Axle Load Scales (PALS) – 7' x 10' – 80,000 CLC	
If scale is to be rented for one (1) to twelve (12) months	\$1,000 per month
<ul style="list-style-type: none"> Cleaning fee for scales that are returned dirty 	\$200 per scale (NET price)
"PV on the spot" sub-frame and bulkhead rental – Titans and Talons	Contact Solutions for price
<ul style="list-style-type: none"> This program allows the customer to purchase a brand-new Talon HV/HVX or Titan Steel Deck scale that is temporarily installed in a rented sub-frame. After the new scale is installed, the rented sub-frame is shipped back to the factory. 	
<ul style="list-style-type: none"> Cleaning fee for sub-frame and bulkhead sets that are returned dirty. 	\$200 per scale (NET price)

Notes:

- Completed Direct Sales/Service Rental Agreement (101630) required for all Fairbanks Direct Sales/Service Rentals. Copy available on the Intranet.
- Completed Distributor Rental Agreement (101629) required for all Distributor Rentals. Copy available on the Intranet.
- Review the Rental Scale Guidelines (101601) before quoting any rentals. Copy available on the Intranet.
- Distributor Rental Price Schedule and Guidelines (101602) is available on the Intranet.
- Check the Rental Scale page on the Intranet for current equipment locations and availability.
- Send Rental Scale questions to rentalscales@fairbanks.com

* For Distributor pricing, please refer to Distributor Rental Price Schedule and Guidelines (101602).



Fairbanks Scales Distributor - Rental Scale Guidelines and Pricing

This document details the charges that need to be considered when quoting rental scales. It also includes standard rental scale pricing.

RENTAL SCALE CHECKLIST:

1. Determine "The Rental Plan"

Decide where to store the scale after the rental period (the Storage Location). The Scale may be stored at the Factory, at a Fairbanks Shop, a Distributor's shop, or other approved location. This decision must be made in order to determine other charges associated with the scale rental. If the rental scale is to be stored at any location other than the Factory, contact the National Rental Scale Program Manager for approval prior to proceeding with rental plan preparation.

2. Locate potential rental equipment

Check the Rental Scale site on the Fairbanks Intranet for current rental equipment and locations. The location and zip code of the equipment is shown on the Rental Scale site. Contact Heavy Capacity Customer Service with the address and zip code of the customer's location to obtain freight quotes from the current location to the customer's site AND from the customer's site to the Storage Location. This freight will be billed to the distributor that is renting the scale out and must be recovered from the customer.

3. Complete and Submit Rental Agreement

- Complete the Rental Agreement. The amount of the Security Deposit is the price of the first month's rent.
- Submit the Agreement to the Credit Department for approval
- Transmit a copy of the Agreement to the National Rental Scale Program Manager
- Loading and shipping arrangements will not be initiated until approval of the agreement by the Credit Department

4. Deliver and Set up the Scale

- Provide Freight to the customers' site. Provide Lifting Equipment and Labor to load the scale onto the truck unless the scale is shipped from the Factory.
- Provide Lifting Equipment and Labor to unload the scale and place it at the proper location
- Install and calibrate Rental Scale and instrument
- Install printer and furnish tickets for printer
- Document "As-Installed" condition of equipment with customer. Verify that customer understands that damage to equipment will result in additional charges
- Properly store scale pallet (PALS Scales only) A \$100.00 fee will be charges for lost or damaged pallets.

5. Collect Rental Charges from the customer during the rental period

6. Notify National Rental Scale Program Manager at least two (2) weeks prior to end of Rental Agreement, or if the length of the Rental Agreement is to be changed for any reason.

7. Prepare scale for removal

- Check scale for proper operation and damage prior to disassembly. Review "As-Installed" condition documentation and resolve any repair/maintenance issues with Customer prior to disassembly
- Clean the scale to remove any oil, mud or dirt from the scale. The distributor will be billed a cleaning fee for any scales or sub-frames that are returned dirty. This will be billed once the scale and (or) sub-frames return to the factory and have been inspected. Refer to the pricing section for cleaning fee charges.
- Remove the bulkheads from the scale. Prepare bulkheads for shipment
- Disconnect Modules and prepare for shipping
- Repackage scale hardware box (nuts, bolts, washers, etc.) and prepare for shipment
- Disconnect and repackage instrumentation, printer, and accessories
- Re-palletize scale and ramps (PALS Scales only)

8. Deliver Scale to Storage Location

- Provide Lifting Equipment and Labor to load the scale onto the truck
- Provide Freight to the Storage Location
- Provide Lifting Equipment and Labor to unload the scale at the Storage Location unless the scale is stored at the Factory

