

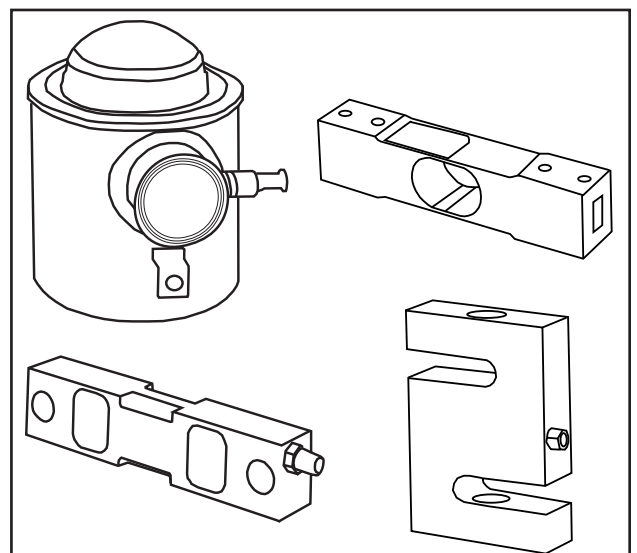


# PARTS Catalog

## Load Cells

***ALL PRICING IN  
PARTS BY NUMBER  
SECTION***

**Important note:** Fairbanks eCatalogs, located on the [Intranet](#), are updated more frequently and are the best source for current product information.





CC# 14-024



R60/2000-DE-08.11

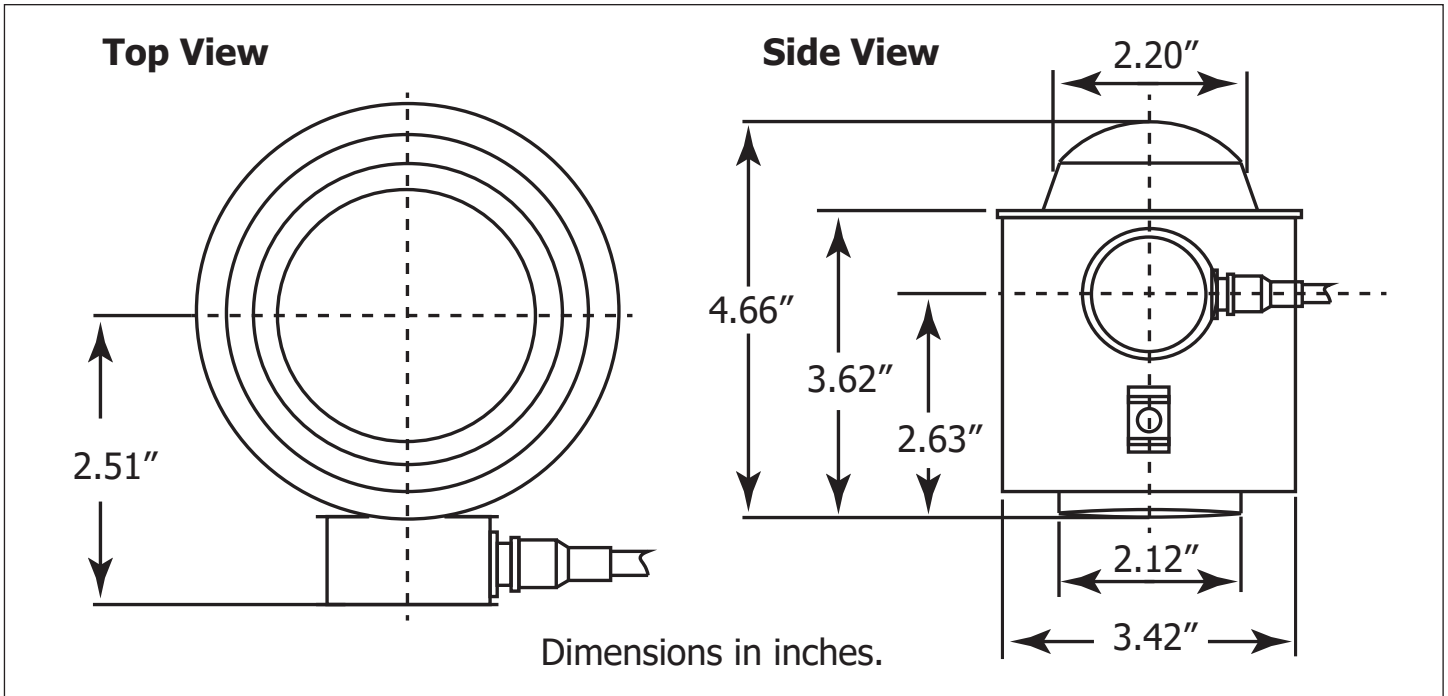


**Specifications**

Capacities ..... 66k, 110k lbs  
 Full Scale (FS) output, mV/V ..... 2.4 ± 0.1%  
 Resistance  
   Input ..... 1080 Ω ± 1%  
   Output ..... 1080 Ω ± 0.2%  
 Safe overload ..... 200%  
 Temperature range  
   Compensated ..... 14° to 131°F  
   Operating ..... -40° to 203°F  
 Construction ..... Stainless steel  
 Sealing ..... IP69K

**Wiring code:**

Red = + Ex  
 Blue = - Ex  
 Green = + Sig  
 Gray = - Sig



Capacity LBS	Part No.	Model	Cable Length
66,000 (30t)	173115	PR 6221	15' ArmourGuard
66,000 (30t)	173185	PR 6221	85' ArmourGuard
66,000 (30t)	173199	PR 6221	100' ArmourGuard
110,000 (50t)	175115	PR 6221	15' ArmourGuard
110,000 (50t)	175120	PR 6221	20' ArmourGuard

Note: Each load cell is sold with both upper and lower cups.



CC# 97-078

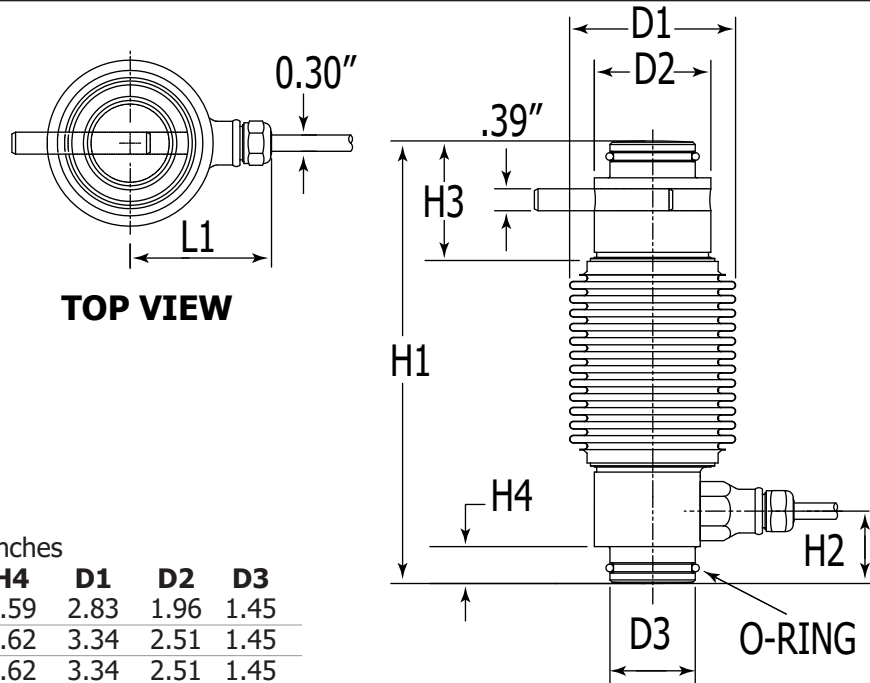


### Specifications

Rated capacity ..... 50k, 100k, 200k lbs  
 Full scale (FS) output (mV/V) ..... 2.0 ± 0.1%  
 Safe overload ..... 200%  
 Temperature range:  
   Compensated ..... 14°F to 104°F  
   Operating ..... -40°F to 176°F  
 Bridge resistance:  
   Input ..... 350 Ω ± 10% and 1150 Ω ± 5%  
   Output ..... 350 Ω ± .05% and 1000 Ω ± 0.2%  
 Sealing ..... IP68/IP69K  
 Construction ..... Stainless steel

### Wiring code:

**Green** = + **Ex**  
**Black** = - **Ex**  
**White** = + **Sig**  
**Red** = - **Sig**  
**Yellow** = **Shield**



Dimensions in inches

Capacity LBS	L2	H1	H3	H4	D1	D2	D3
50,000	1.29	7.55	2.01	0.59	2.83	1.96	1.45
100,000	1.02	8.85	2.24	0.62	3.34	2.51	1.45
200,000	1.02	8.85	2.24	0.62	3.34	2.51	1.45

Capacity LBS	Part No.	Model	Resistance	Cable Length
50,000	63215	LCF-HR4020-1	350 Ω	10' ArmourGuard
50,000	96483	LCF-HR4020-19	350 Ω	15' ArmourGuard
50,000	64166	LCF-HR4020-2	1000 Ω	10' ArmourGuard
50,000	98337	LCF-HR4020-3	1000 Ω	15' ArmourGuard
50,000	99544	LCF-HR4020-7	1000 Ω	26' ArmourGuard
50,000	150875	LCF-HR4020-30	1000 Ω	60' Polyurethane
50,000	150874	LCF-HR4020-29	1000 Ω	70' Polyurethane
100,000	63569	LCF-HR4020-4	350 Ω	10' ArmourGuard
100,000	96489	LCF-HR4020-18	350 Ω	15' ArmourGuard
200,000	63434	LCF-HR4020-6	350 Ω	10' ArmourGuard



CC# 97-078

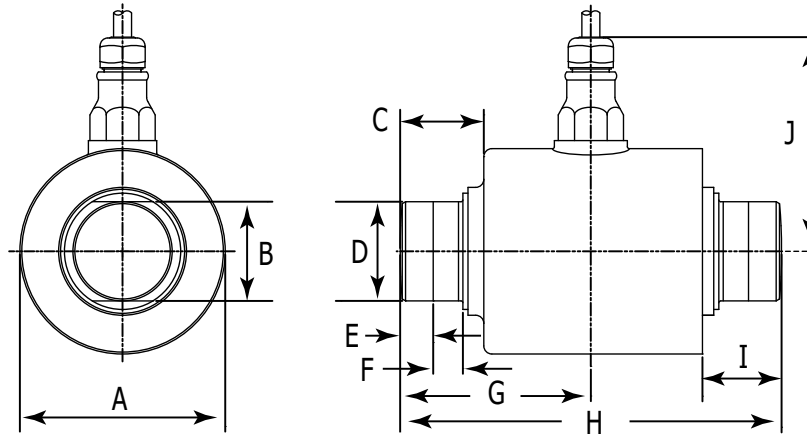


### Specifications

Capacities . . . . . 33k, 49.5k, 66k, 100k, 110k lbs  
 Full Scale Output, mV/V . . . . . 2.0 ± 0.1%  
 Resistance  
   Input . . . . . 1150 Ω ± 5%  
   Output . . . . . 1000 Ω ± 0.2%  
 Safe overload . . . . . 200%  
 Temperature range  
   Compensated . . . . . 14° to 104°F  
   Operating . . . . . -40° to 176°F  
 Construction . . . . . Stainless steel  
 Sealing . . . . . IP1968/IP69K

### Wiring code:

**Green** = + **Ex**  
**Black** = - **Ex**  
**White** = + **Sig**  
**Red** = - **Sig**  
**Yellow** = **Shield**



Dimensions in inches

Capacity LBS	A	B	C	D	E	F	G	H	I	J
33,000 & 49,500	2.72	1.10	0.96	1.10	0.43	0.23	1.73	3.50	0.67	2.95
66,000	3.18	1.53	1.10	1.53	0.51	0.25	2.75	5.50	1.02	3.30
100,000	3.18	1.54	1.30	1.54	0.51	0.46	2.95	5.91	1.22	3.32
110,000	3.90	1.73	1.34	1.73	0.67	0.33	3.50	7.00	1.26	3.70

Capacity LBS	Part No.	Model	Cable length
33,000 LBS (15t)	76643	LCF-HR4020-8	20' Polyurethane
49,500 LBS (22.5 t)	158373	LCF-HR4020-48	75' Polyurethane
49,500 LBS (22.5 t)	83669	LCF-HR4020-22	15' Polyurethane
66,000 LBS (30 t)	70510	LCF-HR4020-2A	15' ArmourGuard
66,000 LBS (30 t)	144780	LCF-HR4020-26	60' ArmourGuard
66,000 LBS (30 t)	150813	LCF-HR4020-28	75' ArmourGuard
66,000 LBS (30 t)	146841	LCF-HR4020-39	100' ArmourGuard
88,000 LBS (40 t)	98608	LCF-HR4020-13	15' ArmourGuard
100,000 LBS (45 t)	80453	LCF-HR4020-21	15' ArmourGuard
450,000 LBS (22.5 t)	83669	LCF-HR4020-22	15' Polyurethane
100,000 LBS (45 t)	144210	LCF-HR4020-24	20' ArmourGuard
110,000 LBS (50 t)	72139	LCF-HR4020-15	15' ArmourGuard



CC# 07-060



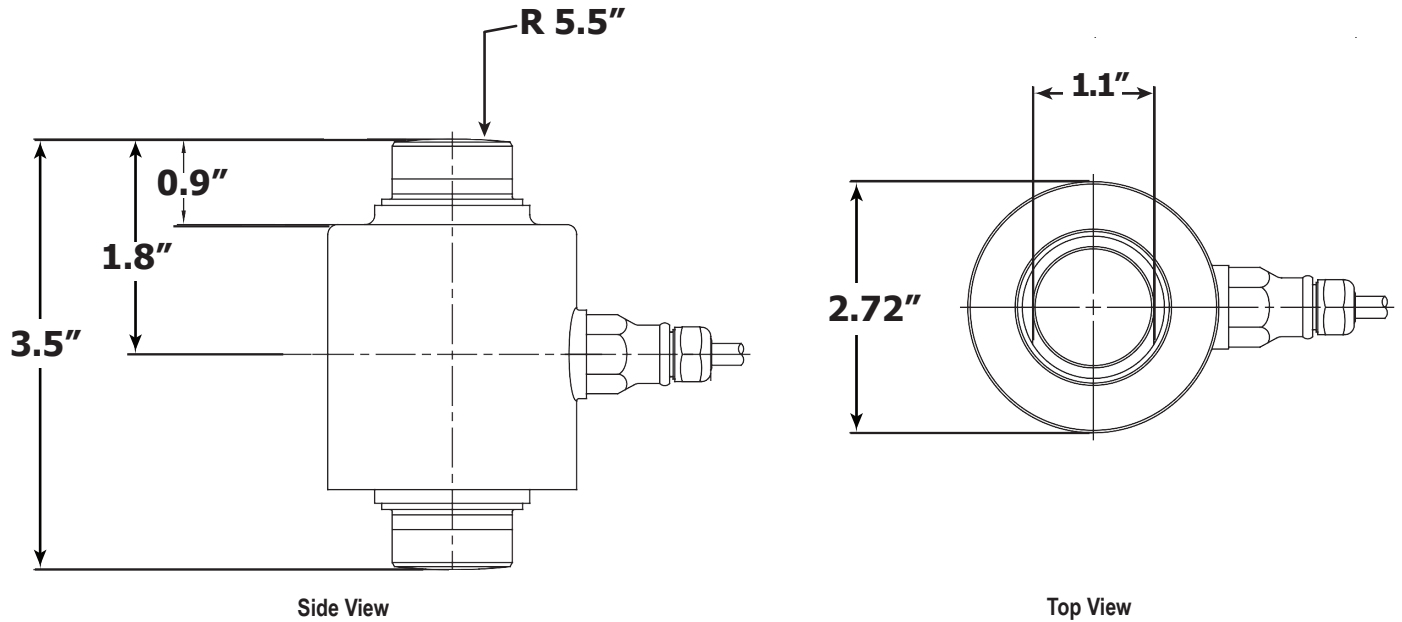
**Specifications**

Capacities ..... 7.5 and 15 *t*  
 Full Scale Output, mV/V ..... 2.0 ± 0.1%  
 Resistance  
   Input ..... 1150 Ω ± 5%  
   Output ..... 1000 Ω ± 0.2%  
 Safe overload – FS ..... 200%  
 Temperature range  
   Compensated ..... 14° to 104°F  
   Operating ..... -40° to 176°F  
 Construction ..... Stainless steel  
 Sealing ..... IP68/IP69K

**Wiring code:**

Green = + Ex  
 Black = - Ex  
 White = + Sig  
 Red = - Sig  
 Yellow = Shield

Dimensions in Inches



Capacity <i>t</i>	Part No.	Model	Cable Length
7.5 <i>t</i>	108120	LCF-HR4020-T0	15' Polyurethane
15 <i>t</i>	108121	LCF-HR4020-T1	15' Polyurethane



CC# 99-070

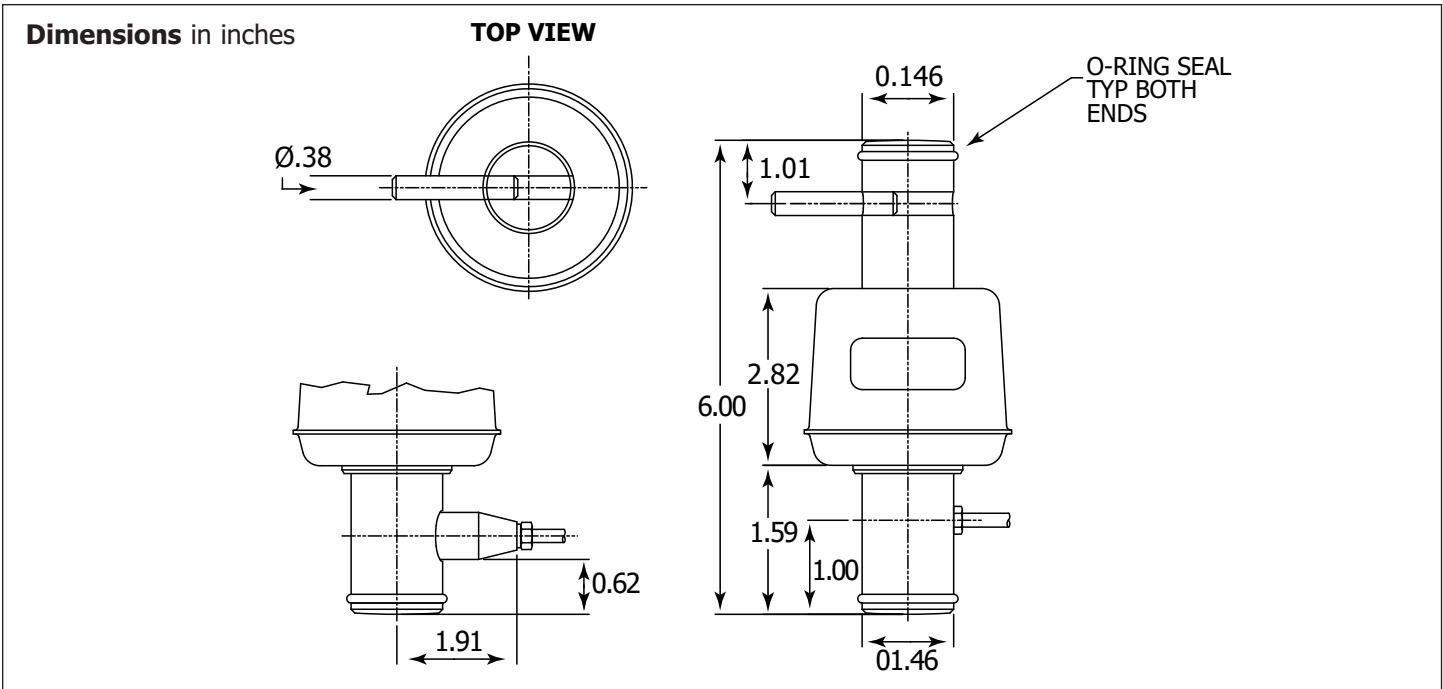


**Specifications**

Rated capacity ..... 50k lbs  
 Full scale (FS) output (mV/V) ..... 2.0 ± 0.25%  
 Safe overload ..... 150%  
 Temperature range:  
   Compensated ..... 14°F to 104°F  
   Operating ..... 0°F to 150°F  
 Bridge resistance:  
   Input ..... 1000 Ω  
   Output ..... 1000 Ω ± Nominal 1%  
 Sealing ..... IP67  
 Construction ..... Stainless steel

**Wiring code:**

**Red** = + Ex  
**Black** = - Ex  
**Green** = + Sig  
**White** = - Sig  
**CLEAR** = Shield



Capacity LBS	Part No.	Model	Cable length
50,000	63951 *	LCF-HR4040-1	35' Polyurethane

**\*No longer available. Use alternate part number 82728 on following page**



CC# 92-098



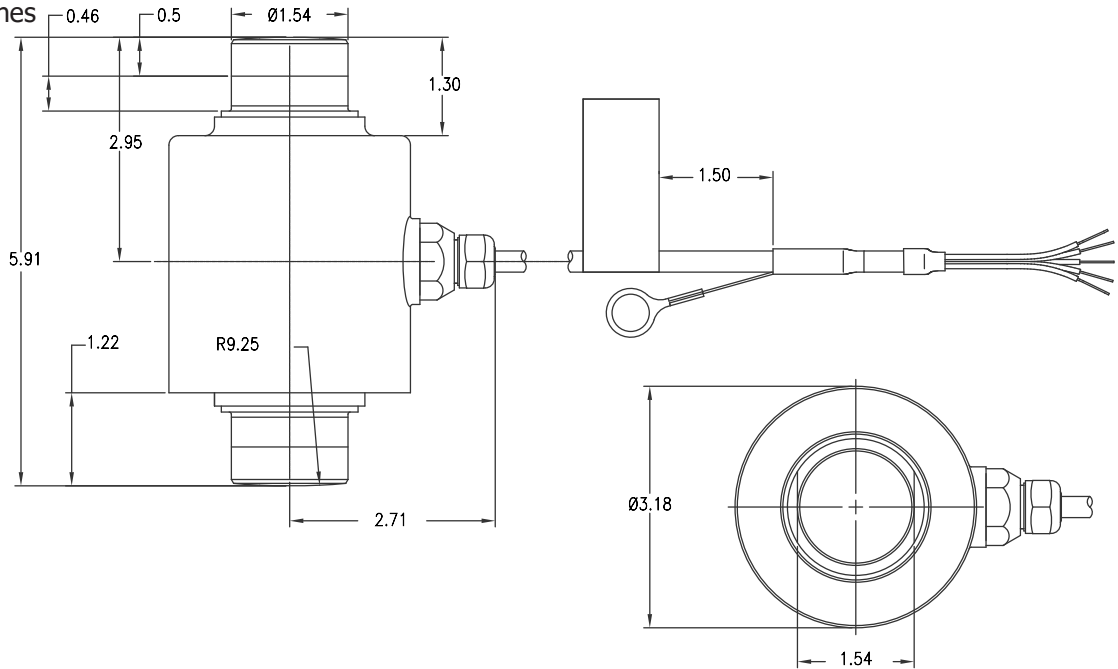
**Specifications**

Rated capacity ..... 50,000 lbs  
 Full scale (FS) output (mV/V) ..... 2.0 ± 0.1%  
 Safe overload ..... 200%  
 Temperature range:  
   Compensated ..... 14°F to 104°F  
   Operating ..... -40°F to 176°F  
 Bridge resistance:  
   Input ..... 1150 Ω ± 5%  
   Output ..... 1000 Ω ± 2%  
 Sealing ..... IP69K  
 Construction ..... Stainless steel

**Wiring code:**

**Green** = + Ex  
**Black** = - Ex  
**White** = + Sig  
**Red** = - Sig  
**Yellow** = Shield

**Dimensions in inches**

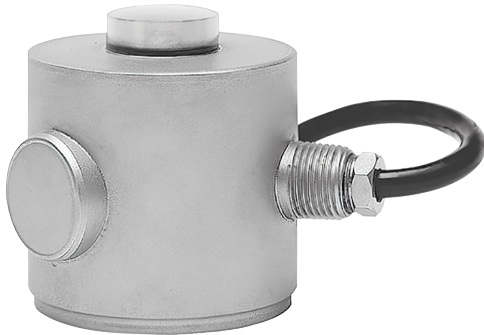


Capacity LBS	Part No.	Model	Cable length
50,000	82052	RC1-50KLB-S-C3	15' ArmourGuard

Also available as 82728 kit which includes upper and lower cups.  
 82728 can be use to replace 63951 (Sensotronics RC style load cell).



CC# 95-134

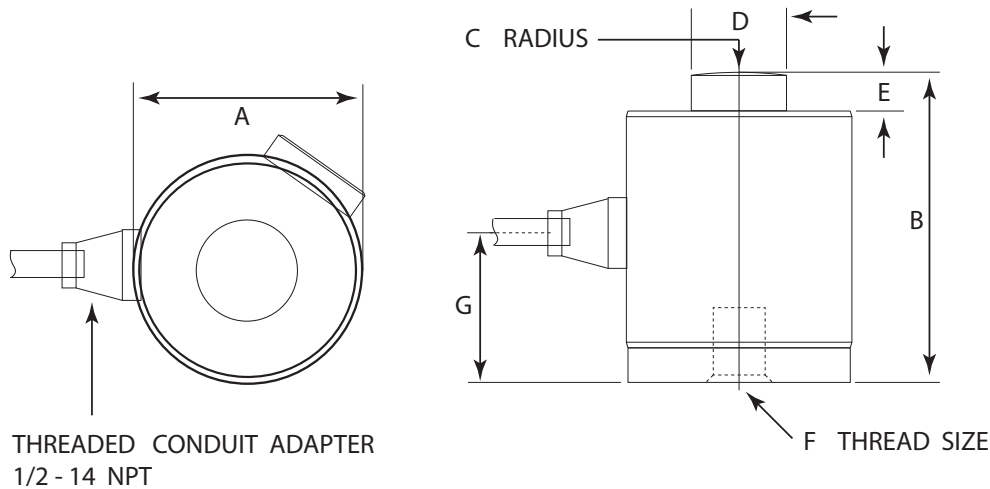


**Specifications**

Rated capacity ..... 50k, 100k, and 200k lbs  
 Full scale (FS) output (mV/V) ..... 2.0 ± 0.25%  
 Safe overload ..... 150%  
 Temperature range:  
   Compensated ..... 14°F to 104°F  
   Operating ..... 0°F to 150°F  
 Bridge resistance:  
   Input ..... 450 Ω ± 1%  
   Output ..... 480 Ω ± 1%  
 Sealing ..... IP67  
 Construction ..... Stainless steel

**Shield Wiring:**

**Red** = + Ex  
**Black** = - Ex  
**Green** = + Sig  
**White** = - Sig  
**CLEAR** = Shield



Capacity LBS	Dimensions in inches						
	A	B	C	D	E	F	G
50,000	3.00	3.25	6.00	1.25	0.40	1/2-20 UNF-2B x .31	1.68
100,000	4.00	5.00	6.00	2.31	0.51	3/4-16 UNF-2B x .56	2.49
200,000	6.00	7.25	17.00	3.13	1.04	3/4-16 UNF-2B x .75	3.28

Capacity LBS	Part No.	Model	Cable length
50,000	96237	65088-50	60' Polyurethane
100,000	96238	65088-100	60' Polyurethane
200,000	96239	65088-200	60' Polyurethane



CC# 88-082

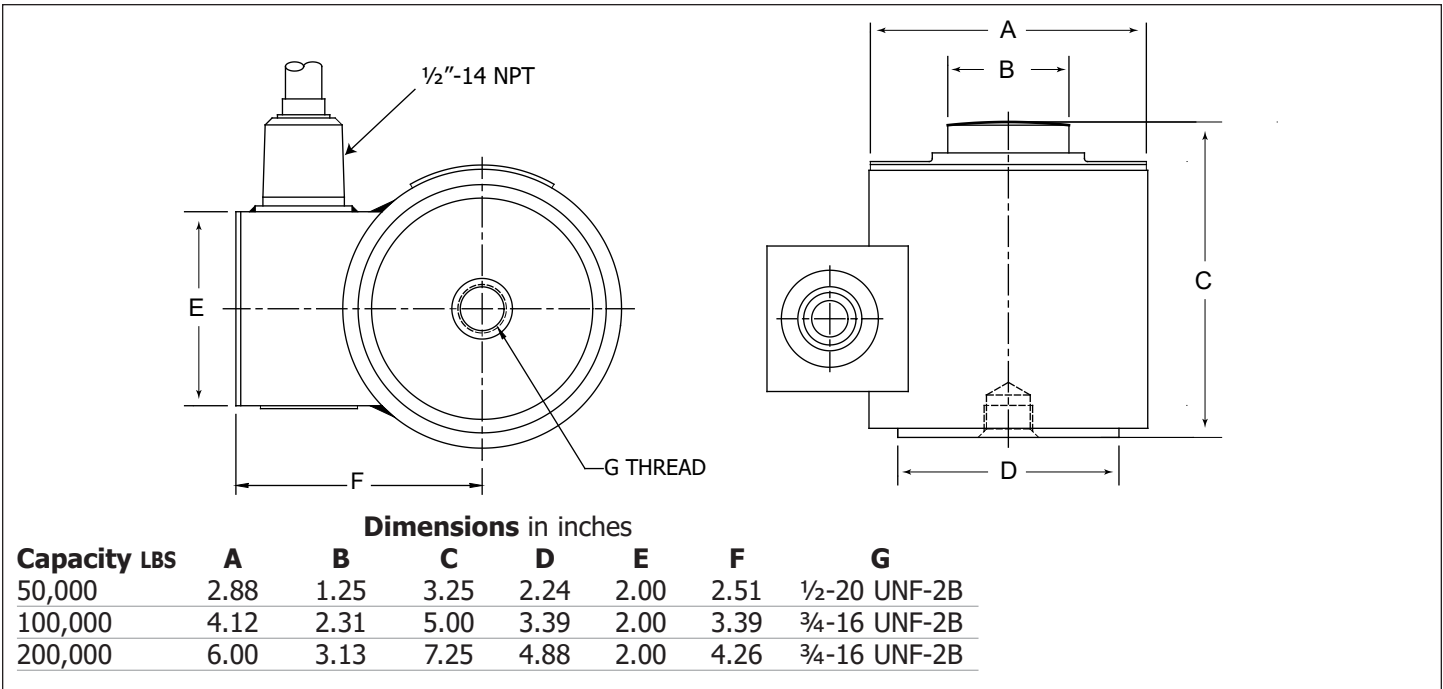


**Specifications**

Rated capacity ..... 50k, 100k, 200k lbs  
 Full scale (FS) output (mV/V) ..... 2.0 ± 0.2%  
 Safe overload ..... 150%  
 Temperature range:  
   Compensated ..... 14°F to 104°F  
   Operating ..... -40°F to 176°F  
 Bridge resistance:  
   Input ..... 450 Ω ± 1%  
   Output ..... 480 Ω ± 1%  
 Sealing ..... IP68  
 Construction ..... Stainless steel

**Wiring code:**

**Green** = + Ex  
**Black** = - Ex  
**White** = + Sig  
**Red** = - Sig  
**CLEAR** = Shield



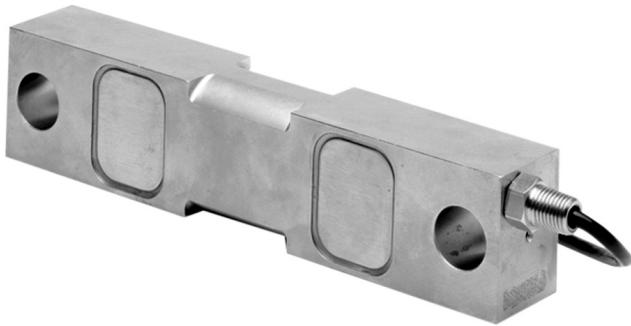
Capacity LBS	Part No.	Model	Cable length
50,000	107361	CSP-B10-5060S5	50' Polyurethane
100,000	59155	CSP-B10-10060S5	60' Polyurethane
200,000	59158	CSP-B10-20060S5	60' Polyurethane
200,000	81352	CSP-B10-200K-15RP	15' ArmourGuard

---

# Fairbanks Scales

---

This page left blank intentionally.

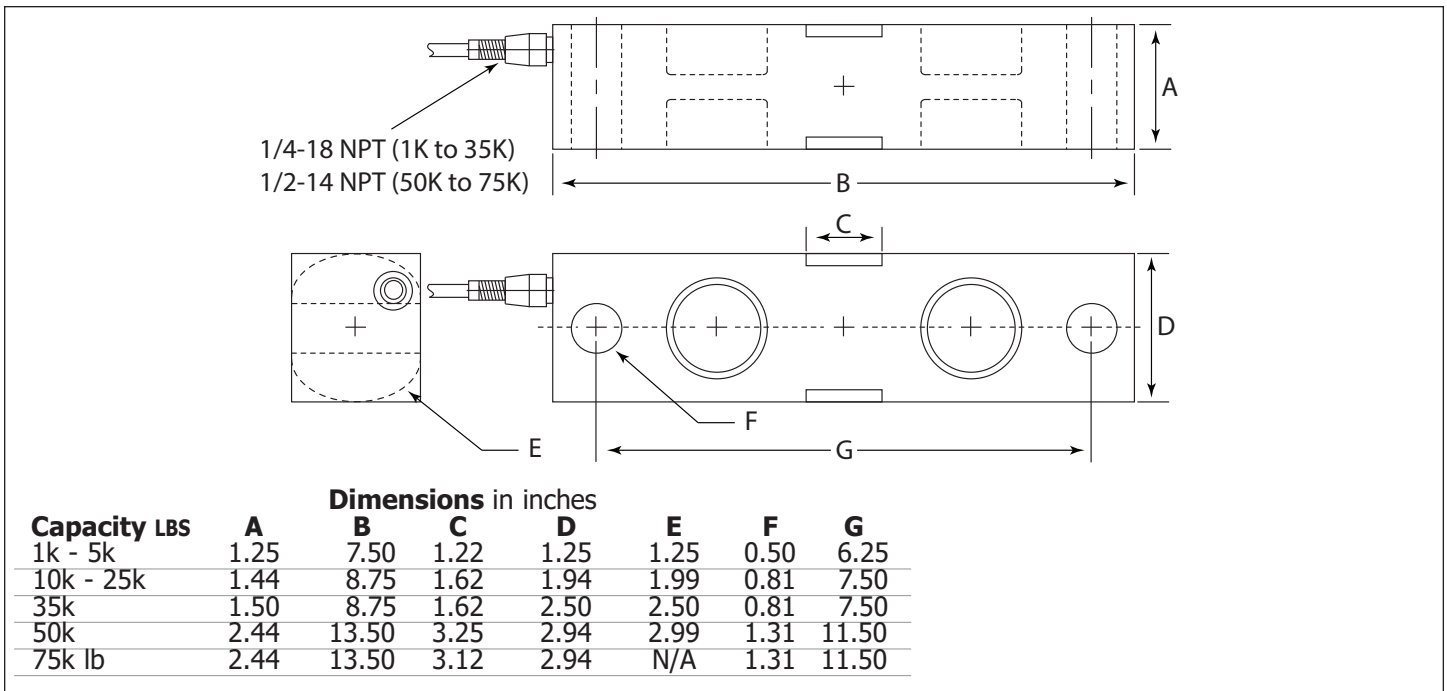


**Specifications**

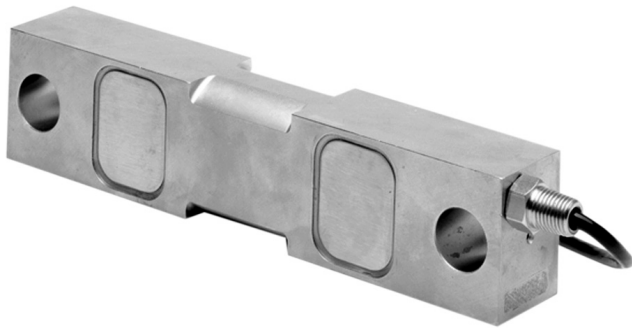
Rated capacity . . . . . 1k to 75k lbs  
 Full scale (FS) output (mV/V) . . . . . 3.0 ± 0.25%  
 Safe overload . . . . . 150% FS  
 Temperature range:  
     Compensated . . . . . 14°F to 104°F  
     Operating . . . . . 0°F to 150°F  
 Bridge resistance:  
     Input . . . . . 700 Ω ± 2%  
     Output . . . . . 700 Ω ± 1%  
 Sealing . . . . . IP67  
 Construction . . . Alloy tool steel, Electroless nickel plate

**Wiring code:**

**Red** = + Ex  
**Black** = - Ex  
**Green** = + Sig  
**White** = - Sig



Capacity LBS	Part No.	Model No.	Cable length
1,000	96155	LCF-3020-1	25' Polyurethane
1,500	96157	LCF-3020-2	25' Polyurethane
2,500	96167	LCF-3020-3	25' Polyurethane
5,000	96175	LCF-3020-4	25' Polyurethane
10,000	96150	LCF-3020-5	25' Polyurethane
15,000	96152	LCF-3020-6	25' Polyurethane
25,000	96162	LCF-3020-7	25' Polyurethane
35,000	96169	LCF-3020-8	25' Polyurethane
50,000	96173	LCF-3020-9	25' Polyurethane
75,000	96177	LCF-3020-10	25' Polyurethane

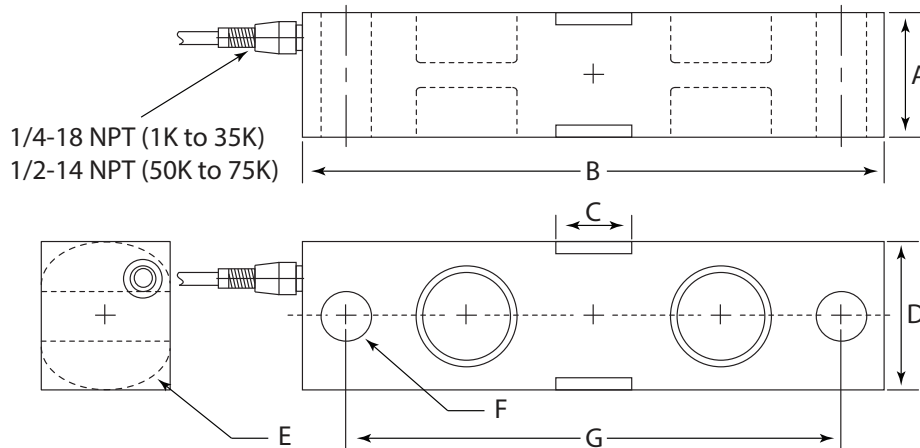


**Specifications**

Rated capacity ..... 1k to 75k lbs  
 Full scale (FS) output (mV/V)..... 3.0 ± 0.25%  
 Safe overload ..... 150% FS  
 Temperature range:  
   Compensated ..... 14°F to 104°F  
   Operating ..... 0°F to 150°F  
 Bridge resistance:  
   Input ..... 700 Ω ± 2%  
   Output ..... 700 Ω ± 1%  
 Sealing ..... IP66/IP67  
 Construction ..... Stainless steel

**Wiring code:**

**Red** = + Ex  
**Black** = - Ex  
**Green** = + Sig  
**White** = - Sig



**Dimensions** in inches

Capacity LBS	A	B	C	D	E	F	G
1k - 5k	1.25	7.50	1.22	1.25	1.25	0.50	6.25
10k - 25k	1.44	8.75	1.62	1.94	1.99	0.81	7.50
35k lbs	1.50	8.75	1.62	2.50	2.50	0.81	7.50
50k lbs	2.44	13.50	3.25	2.94	2.99	1.31	11.50
75k lbs	2.44	13.50	3.12	2.94	N/A	1.31	11.50

Capacity LBS	Part No.	Model no.	Cable length
1,000	96156	LCF-H3020-1	25' Polyurethane
1,500	96158	LCF-H3020-2	25' Polyurethane
2,500	96168	LCF-H3020-3	25' Polyurethane
5,000	96176	LCF-H3020-4	25' Polyurethane
10,000	96151	LCF-H3020-5	25' Polyurethane
15,000	96153	LCF-H3020-6	25' Polyurethane
25,000	96163	LCF-H3020-7	25' Polyurethane
35,000	96170	LCF-H3020-8	25' Polyurethane
50,000	96174	LCF-H3020-9	25' Polyurethane
75,000	96178	LCF-H3020-10	25' Polyurethane



CC# 13-039  
\*Some models

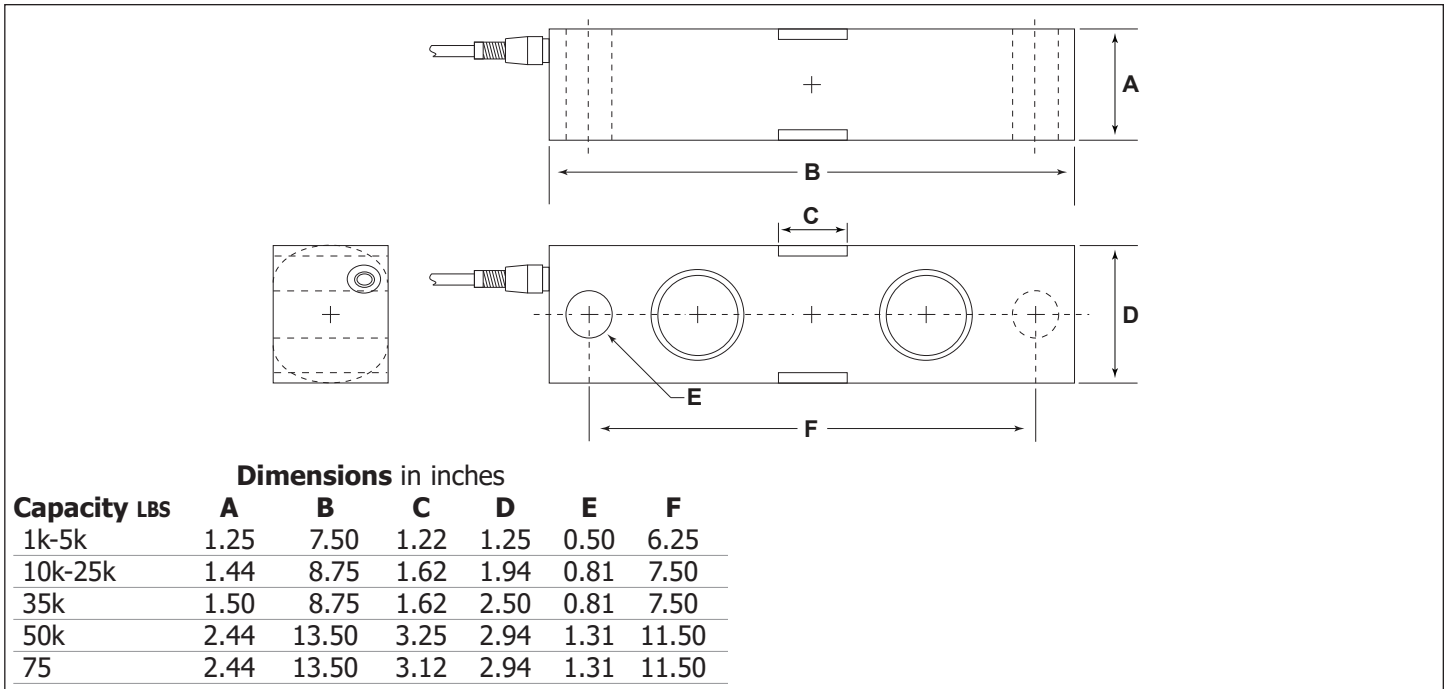


**Specifications**

Rated capacity ..... 1k to 75k lbs  
 Full scale (FS) output (mV/V) ..... 3.0 ± 0.25%  
 Safe overload ..... 150%  
 Temperature range:  
   Compensated ..... 14°F to 104°F  
   Operating ..... 0°F to 150°F  
 Bridge resistance:  
   Input ..... 700 Ω ± 1.4%  
   Output ..... 700 Ω ± 0.7%  
 Sealing ..... IP66  
 Construction ..... Alloy tool steel

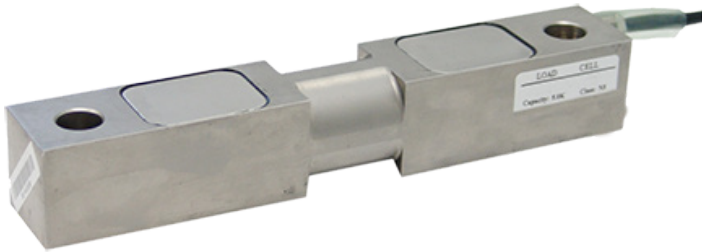
**Wiring code:**

**Red** = + Ex  
**Black** = - Ex  
**Green** = + Sig  
**White** = - Sig  
**CLEAR** = Shield



Capacity LBS	Part No.	Model	Cable length
1,000	32980	LCF-9104-11Z	20' Polyurethane
2,500	32981	LCF-9104-13Z	20' Polyurethane
5,000	32982	LCF-9104-14Z	20' Polyurethane
10,000	32983	LCF-9104-15Z	20' Polyurethane
15,000	32984	LCF-9104-16Z	20' Polyurethane
25,000 *	32985	LCF-9104-17Z	20' Polyurethane
35,000 *	32986	LCF-9104-18Z	20' Polyurethane
50,000 *	32987	LCF-9104-19Z	20' Polyurethane
75,000 *	32988	LCF-9104-20Z	20' Polyurethane

\* NTEP Approved models

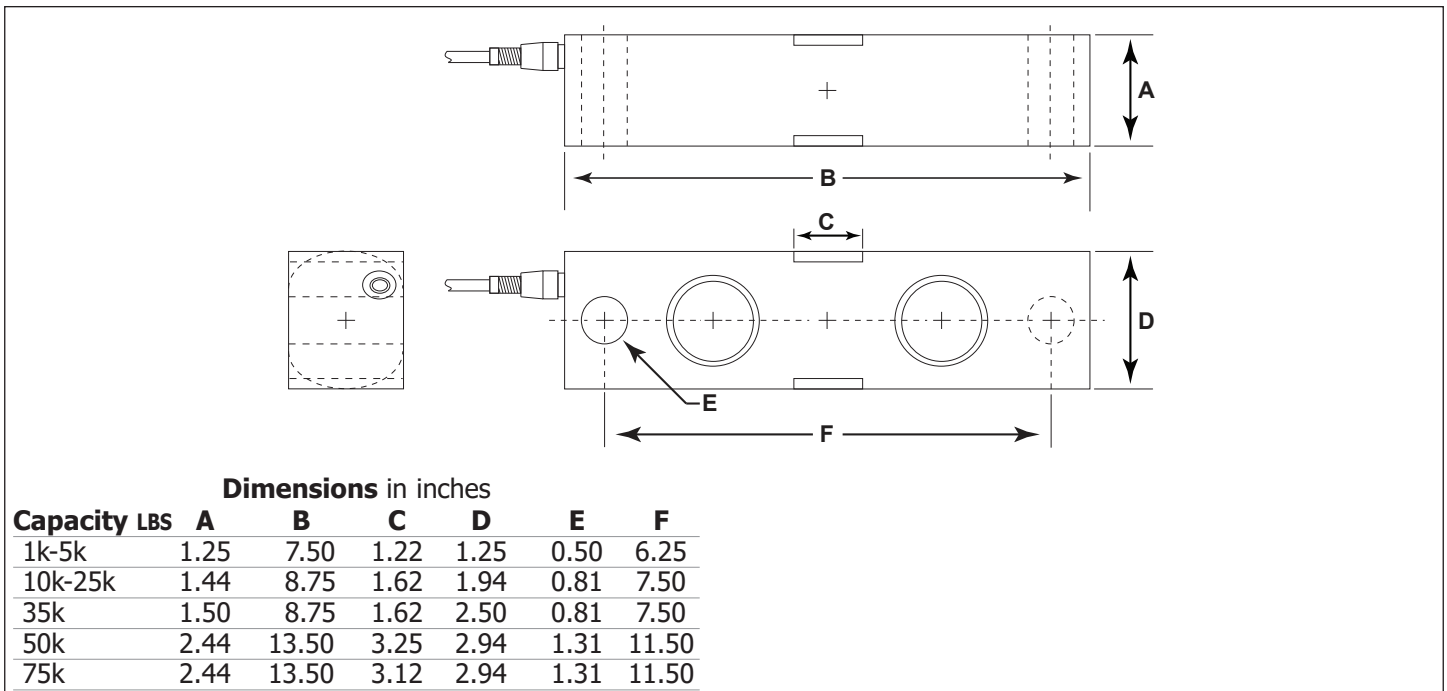


**Specifications**

Rated capacity ..... 1k to 75k lbs  
 Full scale (FS) output (mV/V) ..... 3.0 ± 0.25%  
 Safe overload ..... 150% FS  
 Temperature range:  
   Compensated ..... 14°F to 104°F  
   Operating ..... 0°F to 150°F  
 Bridge resistance:  
   Input ..... 700 Ω ± 1.4%  
   Output ..... 700 Ω ± .7%  
 Sealing ..... IP68, welded covers\*  
 Construction ..... Stainless steel

**Wiring code — \*Except 1k capacity**

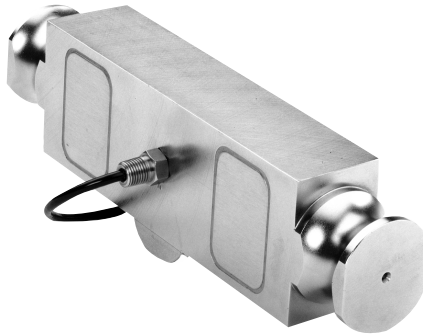
**Red** = + Ex  
**Black** = - Ex  
**Green** = + Sig  
**White** = - Sig  
**CLEAR** = Shield



Capacity LBS	Part No.	Model	Cable length
1,000	32989	LCF-9104-1Z	20' Polyurethane
2,500	32990	LCF-9104-3Z	20' Polyurethane
5,000	32991	LCF-9104-4Z	20' Polyurethane
10,000	32992	LCF-9104-5Z	20' Polyurethane
15,000	32993	LCF-9104-6Z	20' Polyurethane
25,000 *	32994	LCF-9104-7Z	20' Polyurethane
35,000 *	32995	LCF-9104-8Z	20' Polyurethane
50,000 *	32996	LCF-9104-9Z	20' Polyurethane
75,000 *	32997	LCF-9104-10Z	20' Polyurethane



CC# 86-045

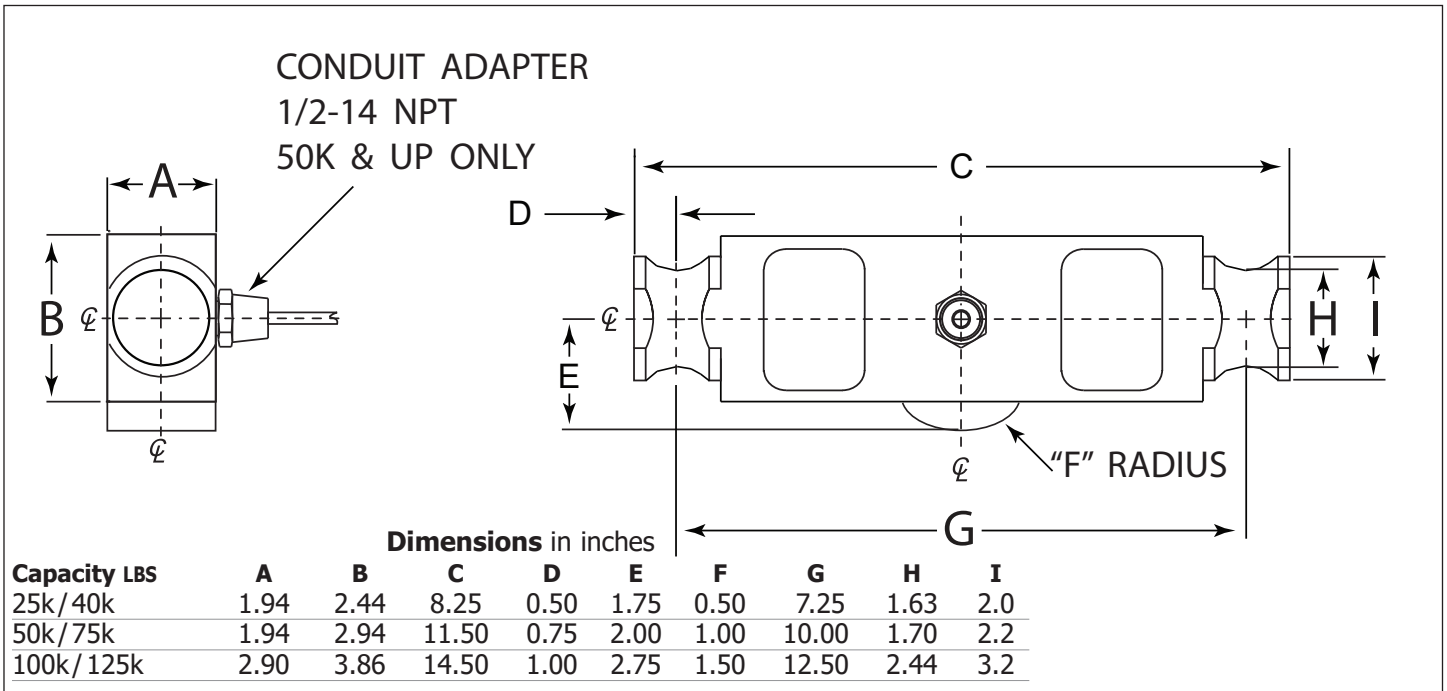


### Specifications

Rated capacity ..... 25k to 125k lbs  
 Full scale (FS) output (mV/V) ..... 3.0 ± 0.25%  
 Safe overload ..... 150% FS  
 Temperature range:  
   Compensated ..... 14°F to 104°F  
   Operating ..... 0°F to 40°F  
 Bridge resistance:  
   Input ..... 700 Ω ± 2%  
   Output ..... 700 Ω ± 1%  
 Sealing ..... IP67  
 Construction ..... Alloy tool steel / Electroless nickel

### Wiring code:

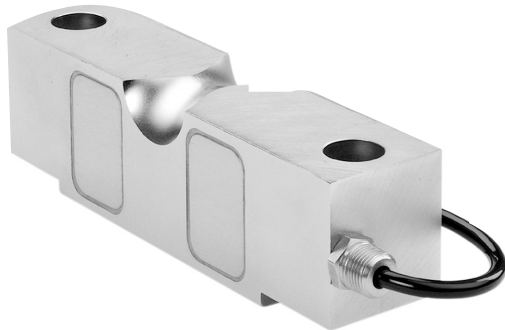
**Red** = + Ex  
**Black** = - Ex  
**Green** = + Sig  
**White** = - Sig



Capacity LBS	Part No.	Model	Cable length
25,000	96993	65040A-25K	35' Polyurethane
40,000	96994	65040A-40K	35' Polyurethane
50,000	96995	65040A-50K	35' Polyurethane
60,000	96996	65040A-60K	35' Polyurethane
75,000	96997	65040A-75K	35' Polyurethane
100,000	96998	65040A-100K	35' Polyurethane
125,000	96999	65040A-125K	35' Polyurethane



CC# 86-046

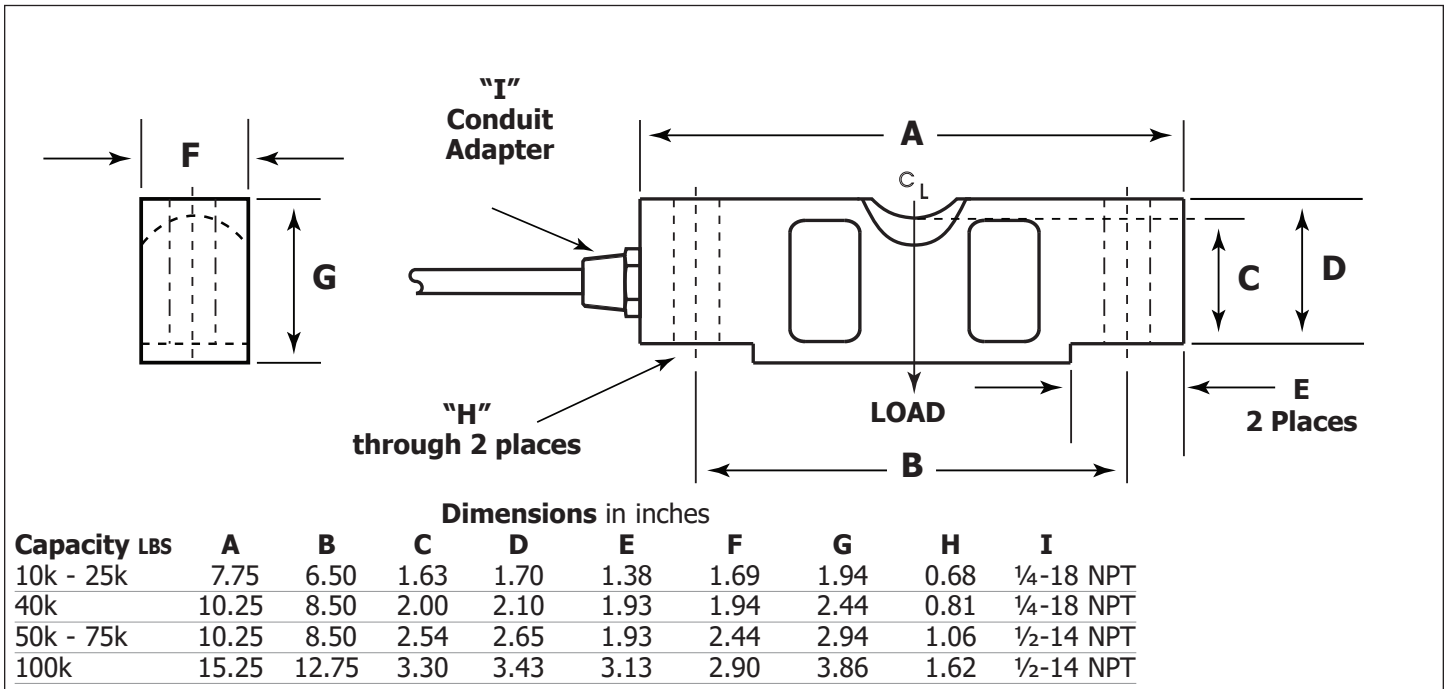


**Specifications**

Rated capacity ..... 10k to 100k lbs  
 Full scale (FS) output (mV/V) ..... 3.0 ± 0.25%  
 Safe overload ..... 150% FS  
 Temperature range:  
   Compensated ..... 14°F to 104°F  
   Operating ..... 0°F to 150°F  
 Bridge resistance:  
   Input ..... 700 Ω ± 2%  
   Output ..... 700 Ω ± 1%  
 Sealing ..... IP67  
 Construction ..... Alloy tool steel / Electroless nickel

**Wiring code:**

Red = + Ex  
 Black = - Ex  
 Green = + Sig  
 White = - Sig



Capacity LBS	Part No.	Model	Cable Length
10,000	96227	65058A-10	35' Polyurethane
20,000	97000	65058A-20	35' Polyurethane
25,000	97001	65058A-25	35' Polyurethane
40,000	97003	65058A-40	35' Polyurethane
50,000	97004	65058A-50	35' Polyurethane
60,000	97005	65058A-60	35' Polyurethane
75,000	97006	65058A-75	35' Polyurethane
100,000	97007	65058A-100	35' Polyurethane



CC# 87-053

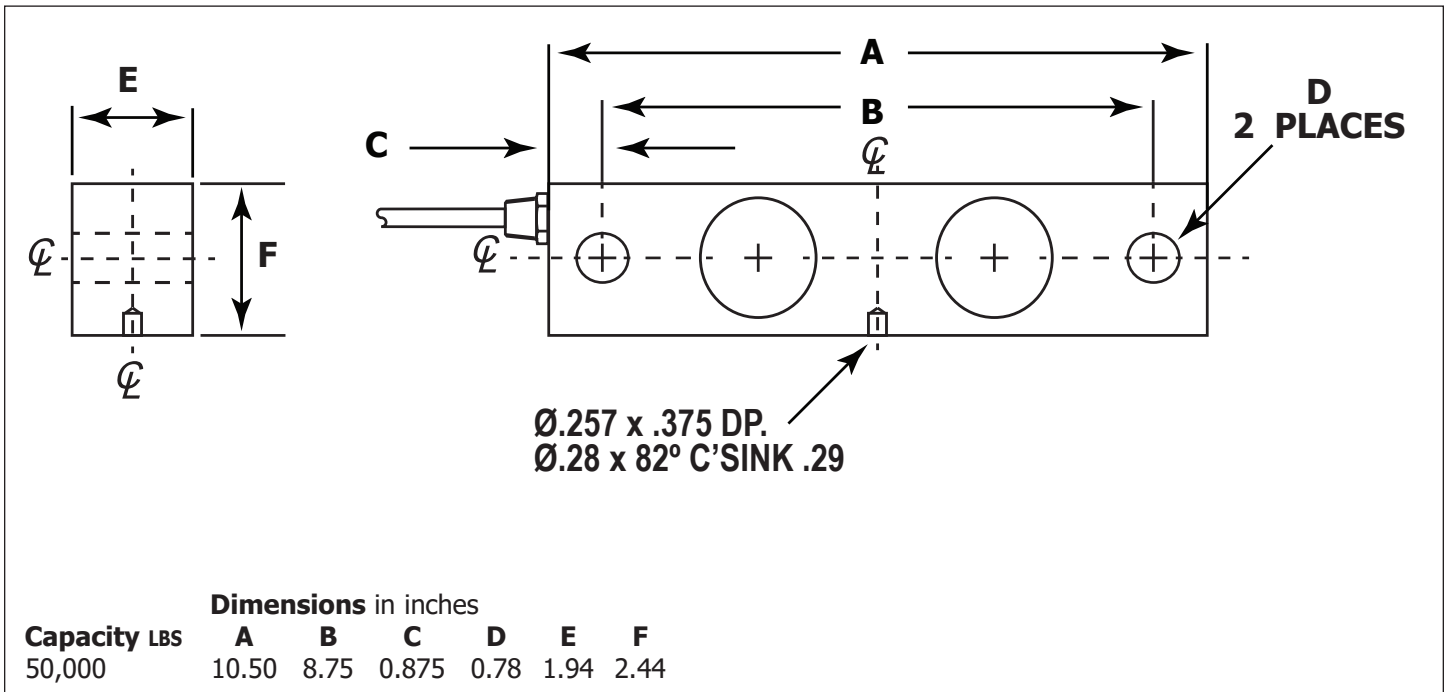


**Specifications**

Rated capacity ..... 50,000 lbs  
 Full scale (FS) output (mV/V) ..... 3.0 ± 0.25%  
 Safe overload ..... 150% FS  
 Temperature range:  
   Compensated ..... 14°F to 104°F  
   Operating ..... 0°F to 40°F  
 Bridge resistance:  
   Input ..... 700 Ω ± 2%  
   Output ..... 700 Ω ± 1%  
 Sealing ..... IP67  
 Construction ..... Stainless steel

**Wiring code:**

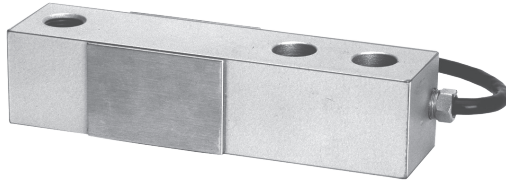
Red = + Ex  
 Black = - Ex  
 Green = + Sig  
 White = - Sig



Capacity LBS	Part No.	Model	Cable length
50,000	96435	65061-S	60'



CC# 95-172

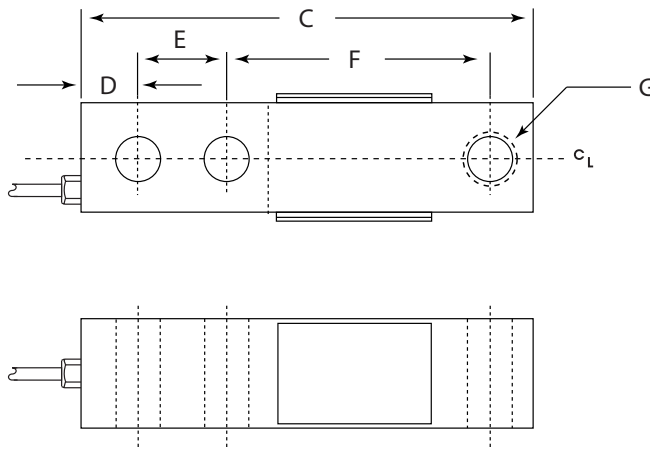


### Specifications

Rated capacity ..... 1k, 2.5k, 5k, 10k lbs  
 Full scale (FS) output (mV/V) ..... 3.0 ± 0.25%  
 Safe overload ..... 150% FS  
 Temperature range:  
   Compensated ..... 14°F to 104°F  
   Operating ..... 0°F to 15°F  
 Bridge resistance:  
   Input ..... 350 Ω ± 2%  
   Output ..... 350 Ω ± 1%  
 Sealing ..... IP67  
 Construction ..... Alloy tool steel / Electroless nickel

### Wiring code:

**Red** = + Ex  
**Black** = - Ex  
**Green** = + Sig  
**White** = - Sig



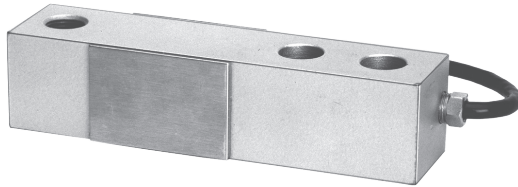
Dimensions in inches

Capacity LBS	A	B	C	D	E	F	G
1k, 2.5k & 5k <b>SMALL</b>	1.25	1.25	5.12	0.62	1.00	3.00	½-20 UNF-2B
5k & 10k <b>LARGE</b>	1.50	1.50	6.75	0.75	1.50	3.75	¾-16 UNF-2B

Capacity LBS	Part No.	Model no.	Cable length
1,000	58925	LCF-R3030-12	8.5' Polyurethane
2,500	12896	LCF-R3030-14	8.5' Polyurethane
5,000 <b>SMALL</b>	63593	LCF-R3030-17	20' Polyurethane
5,000 <b>LARGE</b>	58856	LCF-R3030-10	15' Polyurethane
10,000	58857	LCF-R3030-11	15' Polyurethane



CC# 95-174

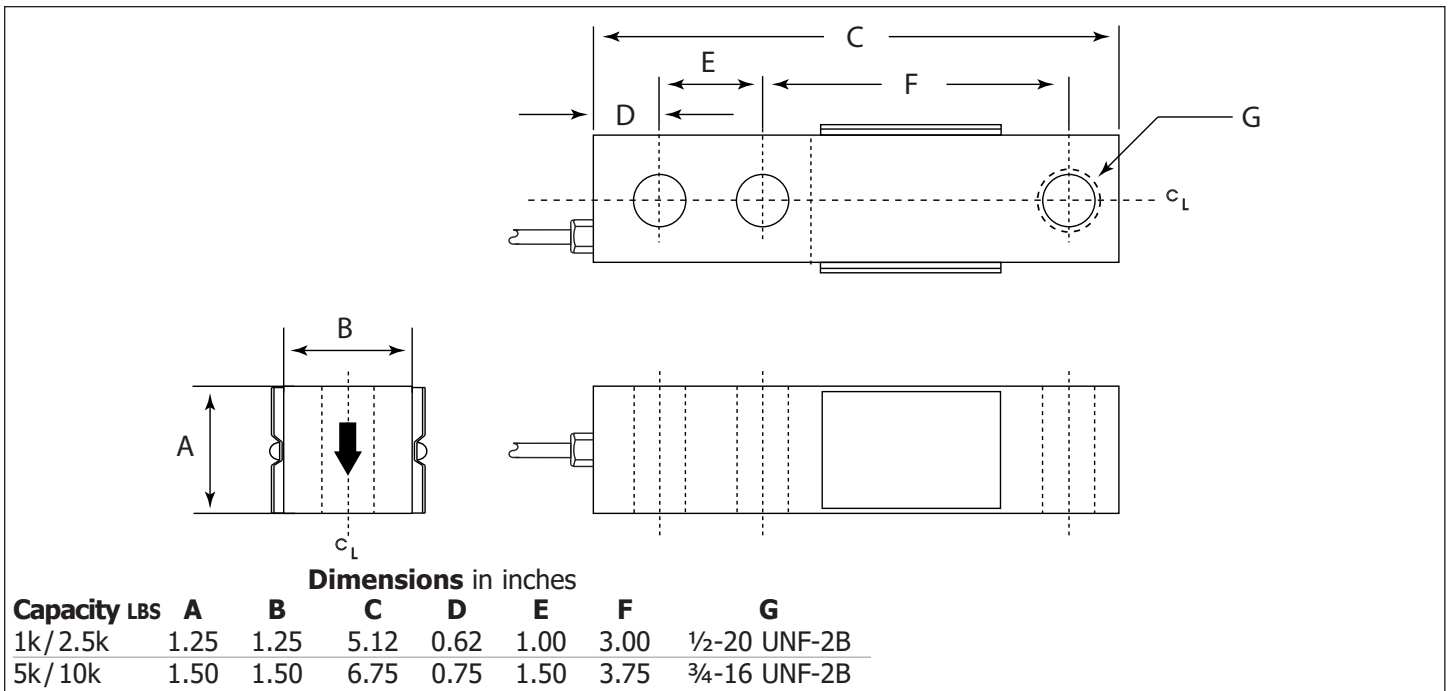


### Specifications

Rated capacity ..... 1k, 2.5k, 5k, 10k lbs  
 Full scale (FS) output (mV/V) .....  $3.0 \pm 0.25\%$   
 Safe overload ..... 150% FS  
 Temperature range:  
   Compensated .....  $14^{\circ}\text{F}$  to  $104^{\circ}\text{F}$   
   Operating .....  $0^{\circ}\text{F}$  to  $150^{\circ}\text{F}$   
 Bridge resistance:  
   Input .....  $350 \Omega \pm 2\%$   
   Output .....  $350 \Omega \pm 1\%$   
 Sealing ..... IP67  
 Construction ..... Stainless steel

### Wiring code:

**Red** = + Ex  
**Black** = - Ex  
**Green** = + Sig  
**White** = - Sig



Capacity LBS	Part No.	Model	Cable length
1,000	59621	LCF-HR3030-9	8.5' Polyurethane
2,500	59622	LCF-HR3030-11	8.5' Polyurethane
5,000	59623	LCF-HR3030-13	20' Polyurethane
10,000	58859	LCF-HR3030-15	40' Polyurethane

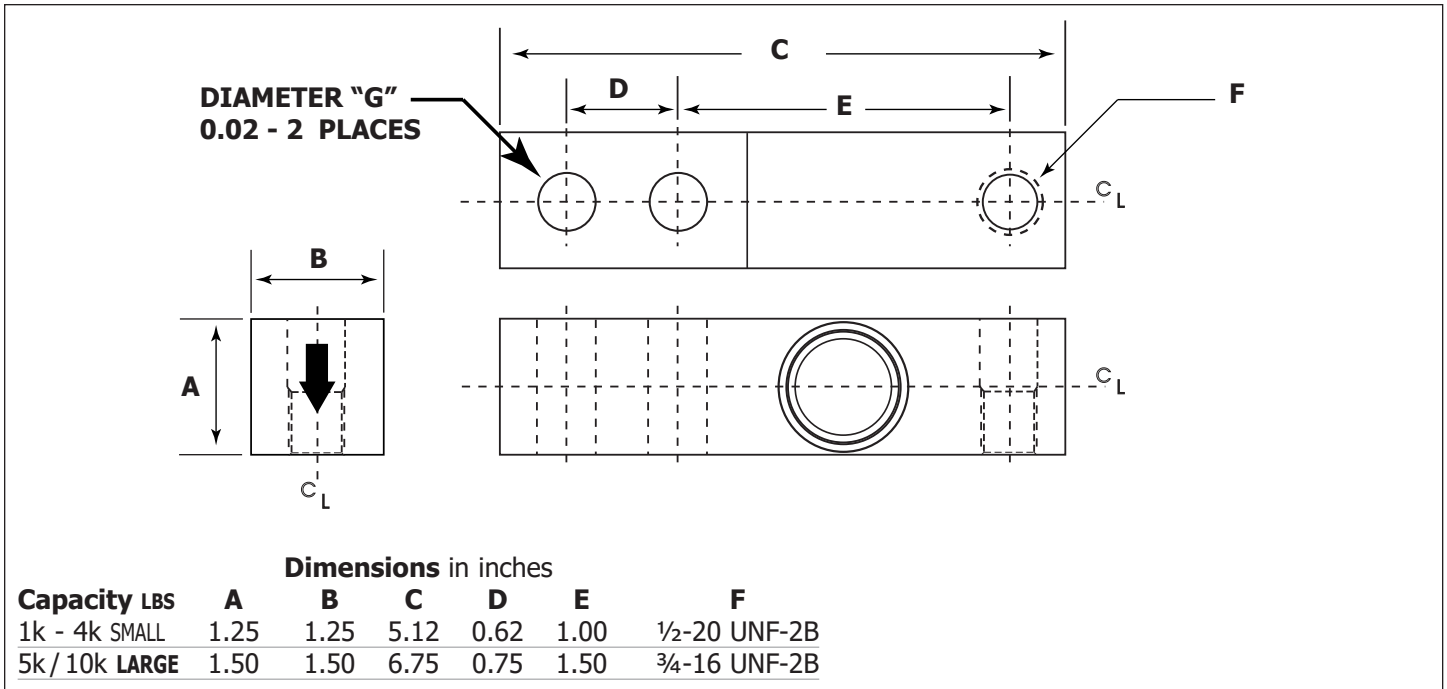


### Specifications

Rated capacity	1k to 10k lbs
Full scale (FS) output (mV/V)	3.0 ± 0.25%
Safe overload	150% FS
Temperature range:	
Compensated	14°F to 104°F
Operating	0°F to 150°F
Bridge resistance:	
Input	350 Ω ± 2%
Output	350 Ω ± 1%
Sealing	IP67/IP68
Construction	Stainless steel

### Wiring code:

- Red** = + Ex
- Black** = - Ex
- Green** = + Sig
- White** = - Sig



Capacity LBS	Part No.	Model	Cable length
1,000	96230	LCF-H3060-1	8.5' Teflon
1,500	96231	LCF-H3060-2	8.5' Teflon
2,500	96233	LCF-H3060-3	8.5' Teflon
4,000 <b>SMALL</b>	96234	LCF-H3060-4	15' Teflon
5,000 <b>LARGE</b>	96235	LCF-H3060-5	15' Teflon
10,000	96228	LCF-H3060-6	15' Teflon



CC# 04-102

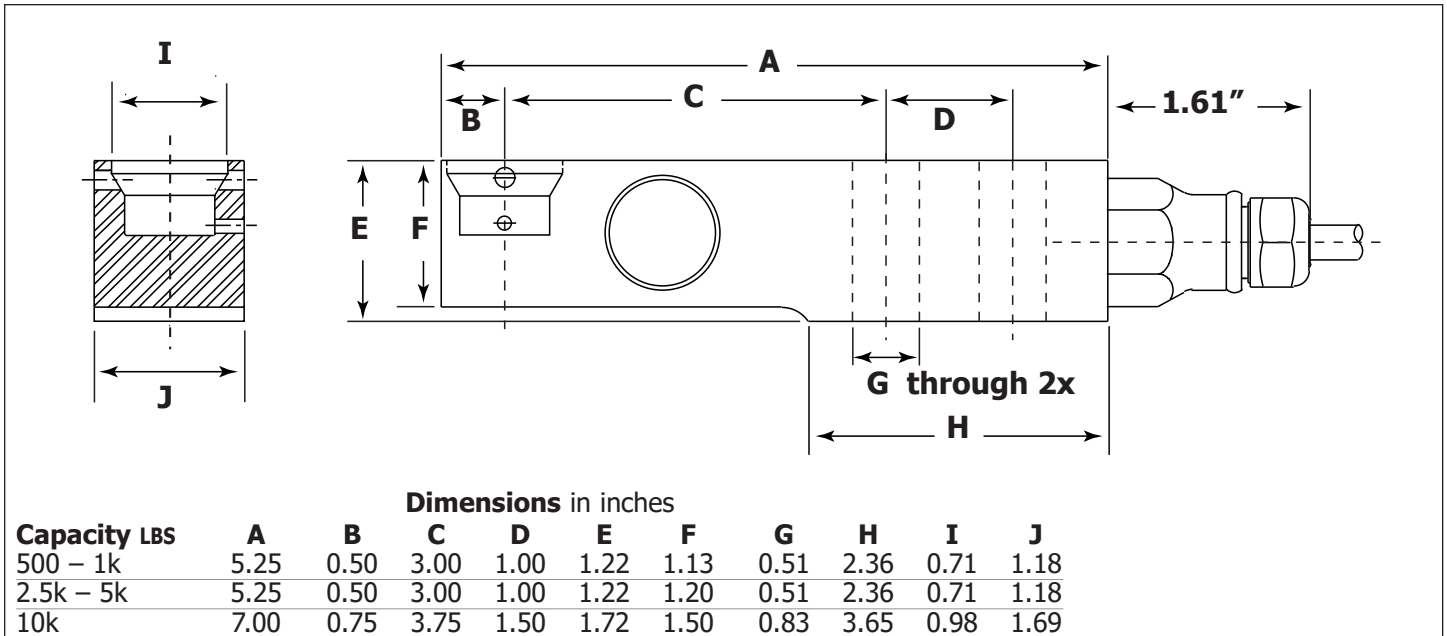


### Specifications

Rated capacity ..... 500 to 10,000 lbs  
 Full scale (FS) output (mV/V) ..... 2.0 ± 0.1%  
 Safe overload ..... 200% FS  
 Temperature range:  
   Compensated ..... 14°F to 104°F  
   Operating range ..... -65°F to 200°F  
 Bridge resistance:  
   Input ..... 1,106 Ω ± 4.5%  
   Output ..... 1,000 Ω ± 1%  
 Sealing ..... IP68/69K  
 Construction ..... Stainless steel

### Wiring code:

**Green** = + Ex  
**Black** = - Ex  
**White** = + Sig  
**Red** = - Sig  
**Yellow** = Shield



Capacity LBS	Part No.	Model	Cable length
500	63898	LCF-HR4060-1	10' Polyurethane
500	25524	LCF-HR4060-9	20' Polyurethane
1,000	63895	LCF-HR4060-2	10' Polyurethane
1,000	25525	LCF-HR4060-10	20' Polyurethane
1,000	23426	LCF-HR4060-5	20' Polyurethane*
2,500	63896	LCF-HR4060-3	10' Polyurethane
2,500	25526	LCF-HR4060-11	20' Polyurethane
2,500	23427	LCF-HR4060-6	20' Polyurethane*
2,500	32333	LCF-HR4060-15	30' Polyurethane*
5,000	63897	LCF-HR4060-4	10' Polyurethane
5,000	25527	LCF-HR4060-12	20' Polyurethane
5,000	23428	LCF-HR4060-7	20' Polyurethane*
5,000	84430	LCF-HR4060-14	30' Polyurethane*
10,000	25528	LCF-HR4060-13	20' Polyurethane

\*Shield grounded



CC# 06-065

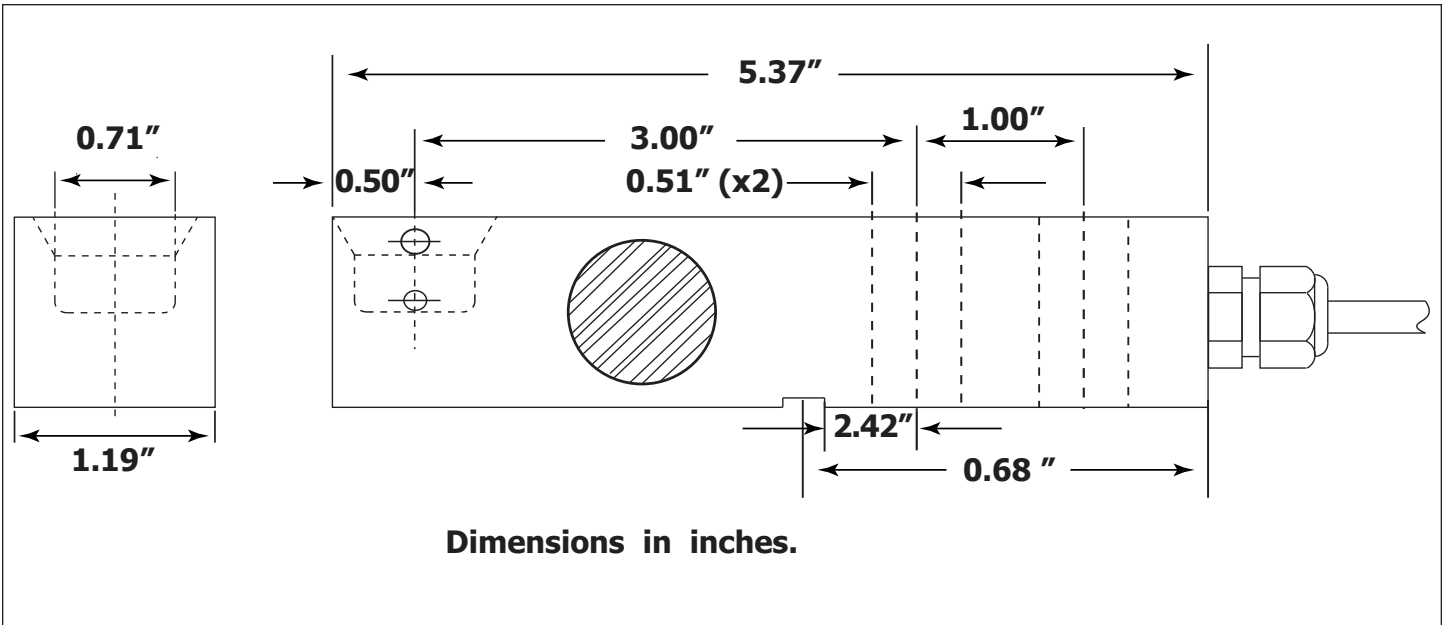


**Specifications**

Rated capacity ..... 200 to 5,000 lbs  
 Full scale (FS) output (mV/V) ..... 2.0 ± 0.1%  
 Safe overload ..... 200% FS  
 Temperature range:  
   Compensated ..... 14°F to 104°F  
   Operating ..... -65°F to 200°F  
 Bridge resistance:  
   Input ..... 1106 Ω ± 4.5%  
   Output ..... 1000 Ω ± 1%  
 Sealing ..... IP67  
 Construction ..... Stainless steel

**Wiring code:**

**Green** = + Ex  
**Black** = - Ex  
**White** = + Sig  
**Red** = - Sig  
**Yellow** = Shield



Capacity LBS	Part No.	Model	Cable length
200	63894	LCF-HR4050-5	10' Polyurethane
500	63893	LCF-HR4050-1	10' Polyurethane
1,000	83634	LCF-HR4050-7	6' Polyurethane
1,000	63889	LCF-HR4050-2	10' Polyurethane
2,500	83635	LCF-HR4050-8	6' Polyurethane
2,500	63890	LCF-HR4050-3	10' Polyurethane
5,000	63891	LCF-HR4050-4	10' Polyurethane
5,000	63892	LCF-HR4050-6	15' Polyurethane

# Fairbanks BBS Bending Beam

# Single-Ended Shear Beam

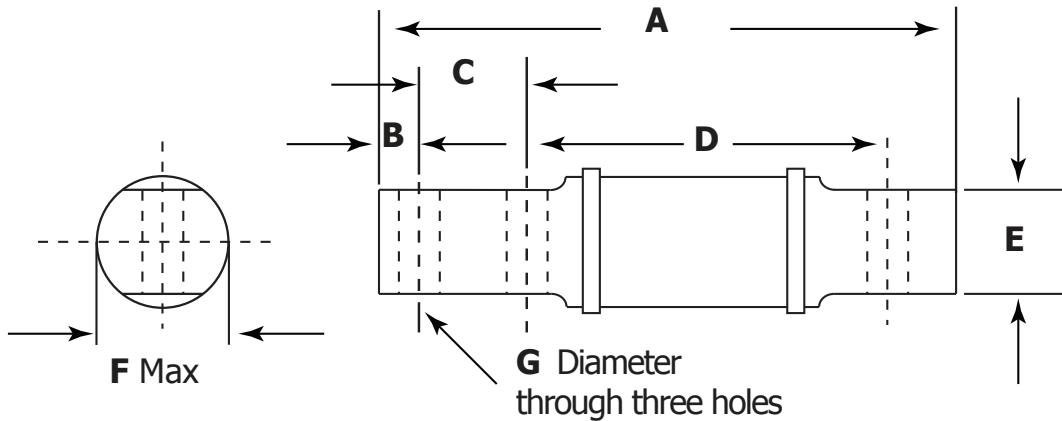


### Specifications

Rated capacity ..... 100 to 2,500 lbs  
 Full scale (FS) output (mV/V) ..... 2.0 ± 0.3%  
 Safe overload ..... 150% FS  
 Temperature range:  
   Compensated ..... 15°F to 115°F  
   Operating ..... -65°F to 200°F  
 Terminal resistance:  
   SE Input ..... 810 Ω Min  
   SE Output ..... 750 Ω ± 10%  
   LE Input ..... 350 Ω ± 1%  
   LE Output ..... 350 Ω ± 1%  
 Sealing ..... IP66  
 Construction ..... Nickel-plated alloy tool steel

### Wiring code:

**Green** = + Ex  
**Black** = - Ex  
**White** = + Sig  
**Red** = - Sig

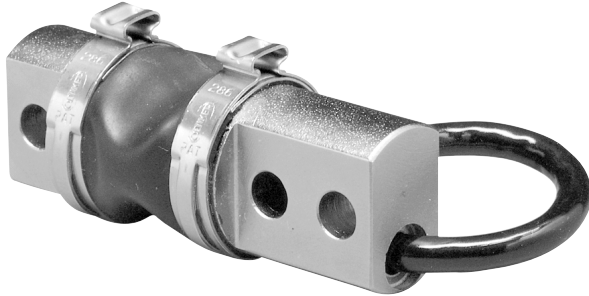


Capacity LBS	Dimensions in inches						
	A	B	C	D	E	F	G
100	6.00	0.38	0.88	4.25	1.06	1.38	0.31
200	6.66	0.50	1.12	4.25	1.06	1.38	0.51
1000 SE	6.66	0.50	1.12	4.25	1.06	1.38	0.51
2500	11.38	0.50	1.75	8.25	1.25	2.00	0.63

SE = Small Envelope (50 - 1000 SE)

Capacity LBS	Part No.	Model	Cable length
100	95511	BBS-100	10' Polyurethane
200	95512	BBS-200	10' Polyurethane
1,000	95513	SM-BBS-1KO	10' Polyurethane
1,000	12226*	PR-BBS-1KO	10' Polyurethane
2,500	95515	BBS-2K5	10' Polyurethane

\* Pair of two (2) matched load cells.

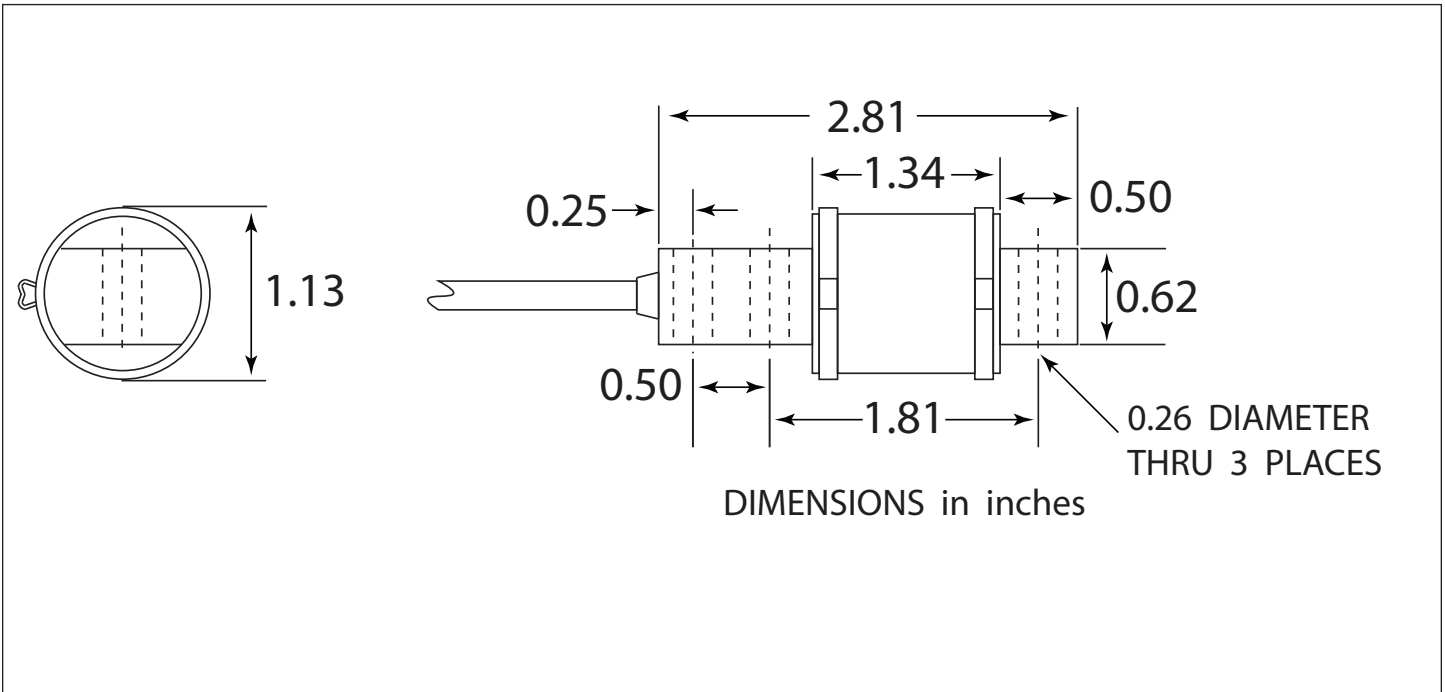


**Specifications**

Rated capacity ..... 50 to 500 lbs  
 Full scale (FS) output (mV/V) ..... 3.0 ± 10%  
 Safe overload ..... 150% FS  
 Temperature range:  
   Compensated ..... 14°F to 104°F  
   Operating ..... 0°F to 150°F  
 Terminal resistance:  
   Input ..... 380 Ω ± 18%  
   Output ..... 350 Ω ± 0.01%  
 Sealing ..... IP65  
 Construction ..... Electroless nickel

**Wiring code:**

**Red** = + Ex  
**Black** = - Ex  
**Green** = + Sig  
**White** = - Sig



Capacity LBS	Part No.	Model	Cable length
50	95989	LCF-3010-1	20' Polyurethane
75	95990	LCF-3010-5	20' Polyurethane
100	95991	LCF-3010-3	20' Polyurethane
150	95992	LCF-3010-4	20' Polyurethane
250	95993	LCF-3010-5	20' Polyurethane
500	95994	—	20' Polyurethane



CC# 90-086

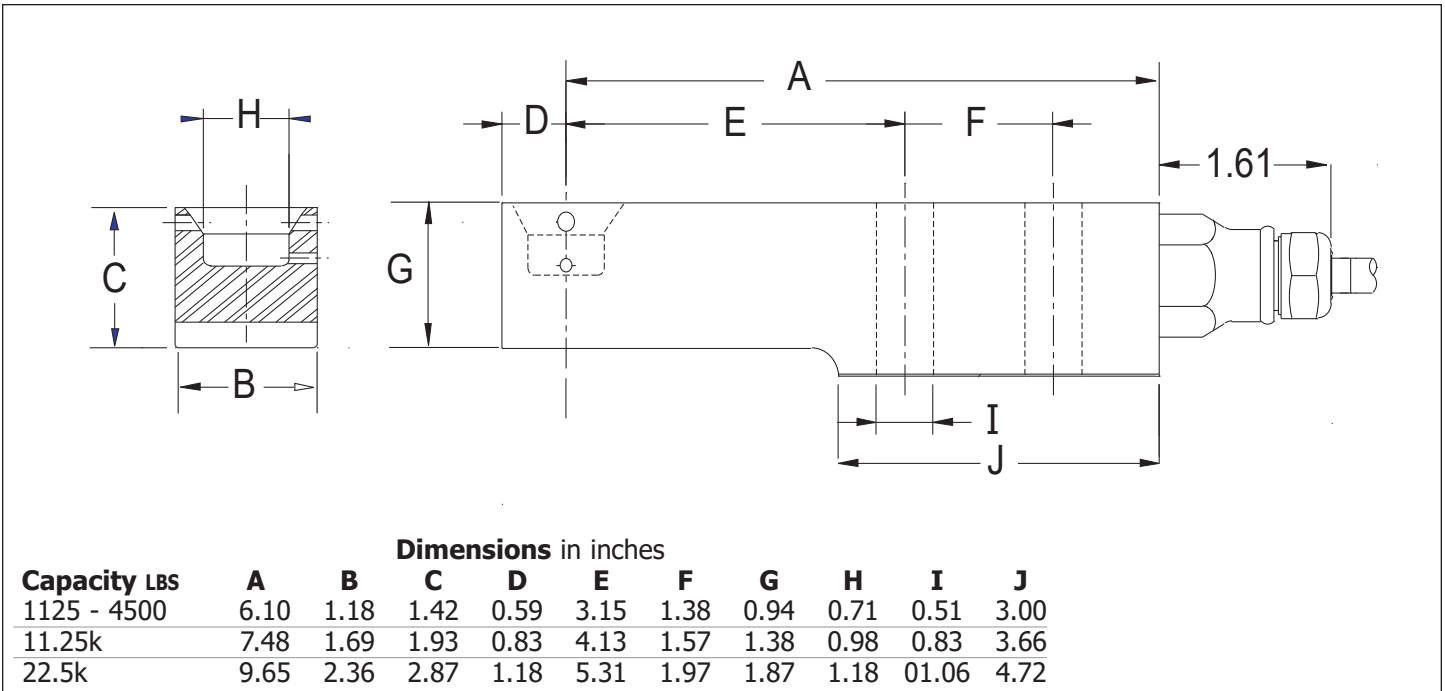


### Specifications

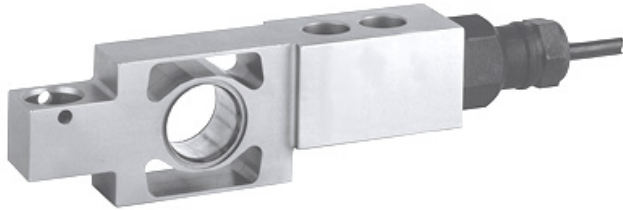
Rated capacity ..... 1,125 to 22.5k lbs  
 Full scale (FS) output (mV/V) ..... 2.0 ± 0.1%  
 Safe overload ..... 150% FS  
 Temperature range:  
     Compensated ..... 14°F to 150°F  
 Terminal resistance:  
     Input ..... 1106 Ω ± 4.5%  
     Output ..... 1000 Ω ± 1%  
 Sealing ..... IP68 / IP69K  
 Construction ..... Stainless steel

### Wiring code:

**Green** = + Ex  
**Black** = - Ex  
**White** = + Sig  
**Red** = - Sig  
**Yellow** = Shield



Capacity LBS	Part No.	Model	Cable length
1125	25529	LCF-2050-1	20' Polyurethane
2.25k	25530	LCF-2050-2	20' Polyurethane
4.5k	25531	LCF-2050-3	20' Polyurethane
11.25k	25532	LCF-2050-4	20' Polyurethane
22.5k	25533	LCF-2050-5	20' Polyurethane

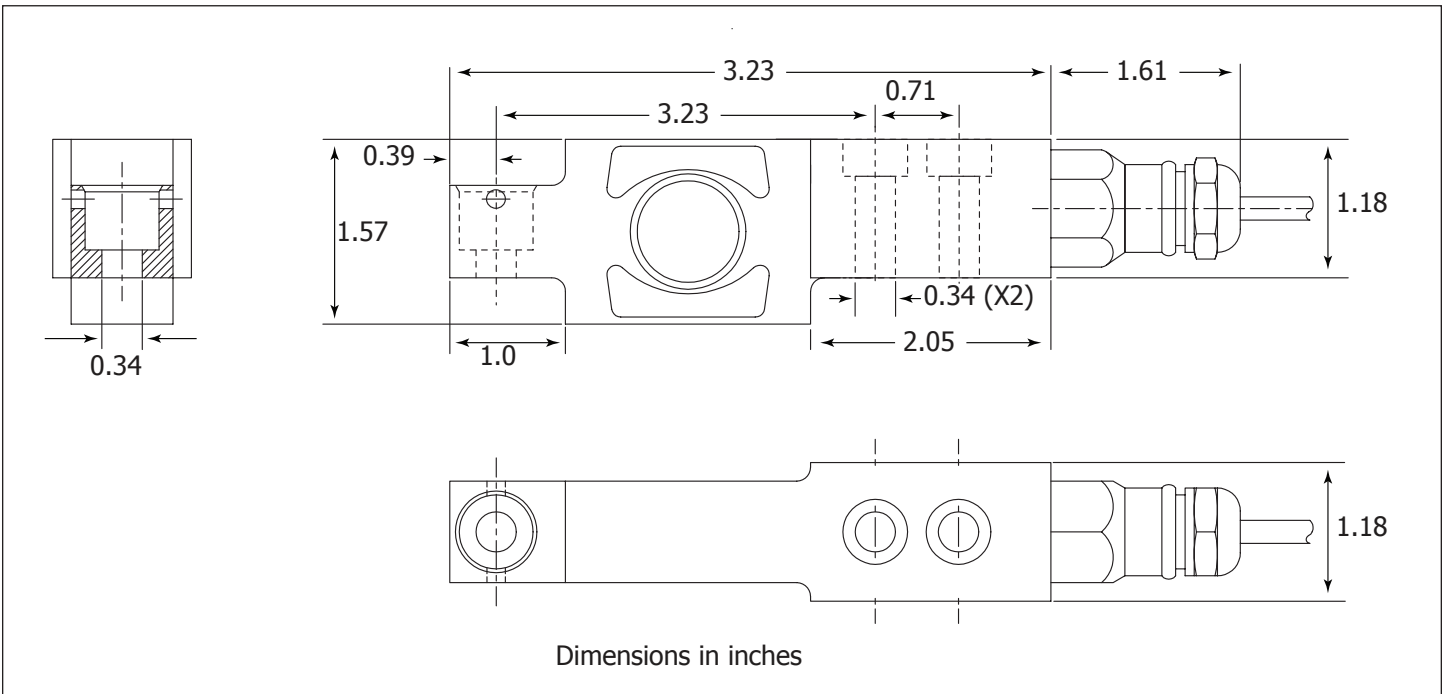


**Specifications**

Rated capacity ..... 45 to 225 lbs  
 Full scale (FS) output (mV/V) ..... 2.0 ± 0.1%  
 Safe overload ..... 150% FS  
 Temperature range:  
 Compensated ..... 14°F to 150°F  
 Terminal resistance:  
 Input ..... 1106 Ω ± 4.5%  
 Output ..... 1000 Ω ± 1%  
 Sealing ..... IP68 / IP69K  
 Construction ..... 17-4 pH Stainless steel

**Wiring code:**

**Green** = + Ex  
**Black** = - Ex  
**White** = + Sig  
**Red** = - Sig  
**Yellow** = Shield



Capacity LBS	Part No.	Model	Cable length
45	25521	LCF-9110-45	20' Polyurethane
112	25522	LCF-9110-112	20' Polyurethane
225	25523	LCF-9110-225	20' Polyurethane



CC# 97-049

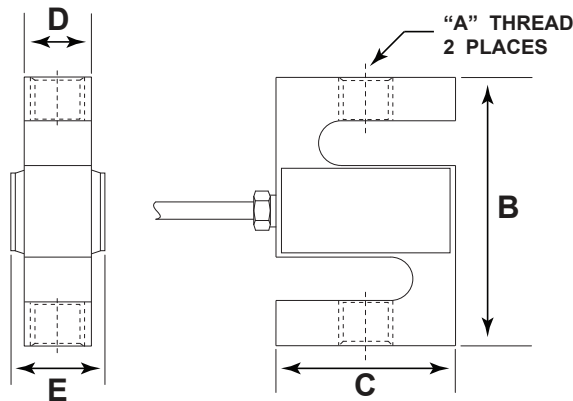


**Specifications**

Rated capacity ..... 25 to 20,000 lbs  
 Full scale (FS) output (mV/V) ..... 3.0 Nominal  
 Safe overload ..... 150% FS  
 Temperature range:  
   Compensated range ..... 14°F to 104°F  
   Temperature range ..... 0°F to 150°  
 Terminal resistance:  
   Input ..... 350 Ω ± 29%  
   Output ..... 350 Ω ± 1%  
 Sealing ..... IP67  
 Construction ..... Tool steel, Electroless nickel plated

**Wiring code:**

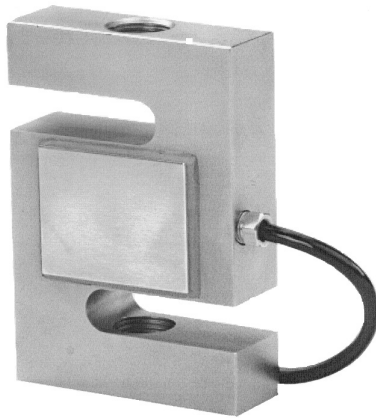
**Red** = + Ex  
**Black** = - Ex  
**Green** = + Sig  
**White** = - Sig



Dimensions in inches

Capacity LBS	A	B	C	D	E
25/200	1/4-28 UNF-2B	2.50	2.00	0.50	0.65
250/300	3/8-24 UNF-2B	3.00	2.00	0.50	0.75
500/2k	1/2-20 UNF-2B	3.00	2.00	0.75	1.00
2.5k/3k	1/2-20 UNF-2B	3.00	2.00	1.00	1.25
5k/10k	3/4-16 UNF-2B	4.25/4.75	3.00/3.50	1.00	1.25
15k	1-14 UNF-2B	5.50	4.00	1.25	1.50
20k	1 1/4 - 12 UNF-2B	7.00	5.00	2.00	2.25

Capacity LBS	Part No.	Model	Cable length
25	95953	LCF-R3080-1	20' Polyurethane
50	95954	LCF-R3080-2	20' Polyurethane
75	95955	LCF-R3080-3	20' Polyurethane
100	95956	LCF-R3080-4	20' Polyurethane
150	95958	LCF-R3080-5	20' Polyurethane
200	95962	LCF-R3080-6	20' Polyurethane
250	95964	LCF-R3080-7	20' Polyurethane
300	95967	LCF-R3080-8	20' Polyurethane
500	11644	LCF-R3080-9	20' Polyurethane
750	11645	LCF-R3080-10	20' Polyurethane
1,000	11646	LCF-R3080-11	20' Polyurethane
1,500	95961	LCF-R3080-12	20' Polyurethane
2,000	11647	LCF-R3080-13	20' Polyurethane
2,500	95966	LCF-R3080-14	20' Polyurethane
3,000	11648	LCF-R3080-15	20' Polyurethane
5,000	12909	LCF-R3080-16	20' Polyurethane
10,000	95957	LCF-R3080-17	20' Polyurethane
15,000	95959	LCF-R3080-18	20' Polyurethane
20,000	95963	LCF-R3080-19	20' Polyurethane

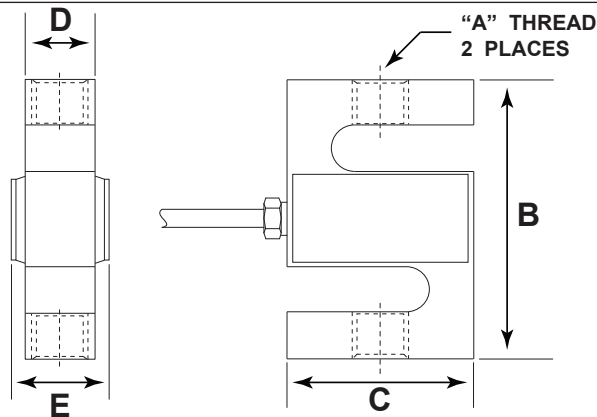


**Specifications**

Rated capacity ..... 25 to 20,000 lbs  
 Full scale (FS) output (mV/V) ..... 3.0 Nominal  
 Safe overload ..... 150% FS  
 Temperature range:  
   Compensated range ..... 14°F to 104°F  
   Temperature range ..... 0°F to 150°  
 Terminal resistance:  
   Input ..... 350 Ω ± 29%  
   Output ..... 350 Ω ± 1%  
 Sealing ..... IP67  
 Construction ..... Stainless steel

**Wiring code:**

Red = + Ex  
 Black = - Ex  
 Green = + Sig  
 White = - Sig



Dimensions in inches

Capacity LBS	A	B	C	D	E
25/200 lbs ¼	2B UNF - 2B	2.50	2.00	0.50	0.65
250	¾ - 24 UNF - 2B	3.00	2.00	0.50	0.75
500/1.5k	½ - 20 UNF - 2B	3.00	2.00	0.75	1.00
2k/3k	½ - 20 UNF - 2B	3.00	2.00	1.00	1.25
5k/10k	¾ - 16 UNF - 2B	4.25 / 4.75	3.00 / 3.50	1.00	1.25
15k	1 - 14 UNF - 2B	5.50	4.00	1.25	1.50
20k	1¼ - 12 UNF - 2B	7.00	5.00	1.94	2.00

Capacity LBS	Part No.	Model	Cable length
25	96011	LCF-H3080-1	20' Polyurethane
50	96012	LCF-H3080-2	20' Polyurethane
75	96013	LCF-H3080-3	20' Polyurethane
100	96014	LCF-H3080-4	20' Polyurethane
150	96016	LCF-H3080-5	20' Polyurethane
200	96020	LCF-H3080-6	20' Polyurethane
250	96022	LCF-H3080-7	20' Polyurethane
300	96025	LCF-H3080-8	20' Polyurethane
500	96027	LCF-H3080-9	20' Polyurethane
750	96029	LCF-H3080-10	20' Polyurethane
1,000	96018	LCF-H3080-11	20' Polyurethane
1,500	96019	LCF-H3080-12	20' Polyurethane
2,000	96023	LCF-H3080-13	20' Polyurethane
2,500	96024	LCF-H3080-14	20' Polyurethane
3,000	96026	LCF-H3080-15	20' Polyurethane
5,000	96028	LCF-H3080-16	20' Polyurethane
10,000	96015	LCF-H3080-17	20' Polyurethane
15,000	96017	LCF-H3080-18	20' Polyurethane
20,000	96021	LCF-H3080-19	20' Polyurethane



CC# 98-019



**Specifications**

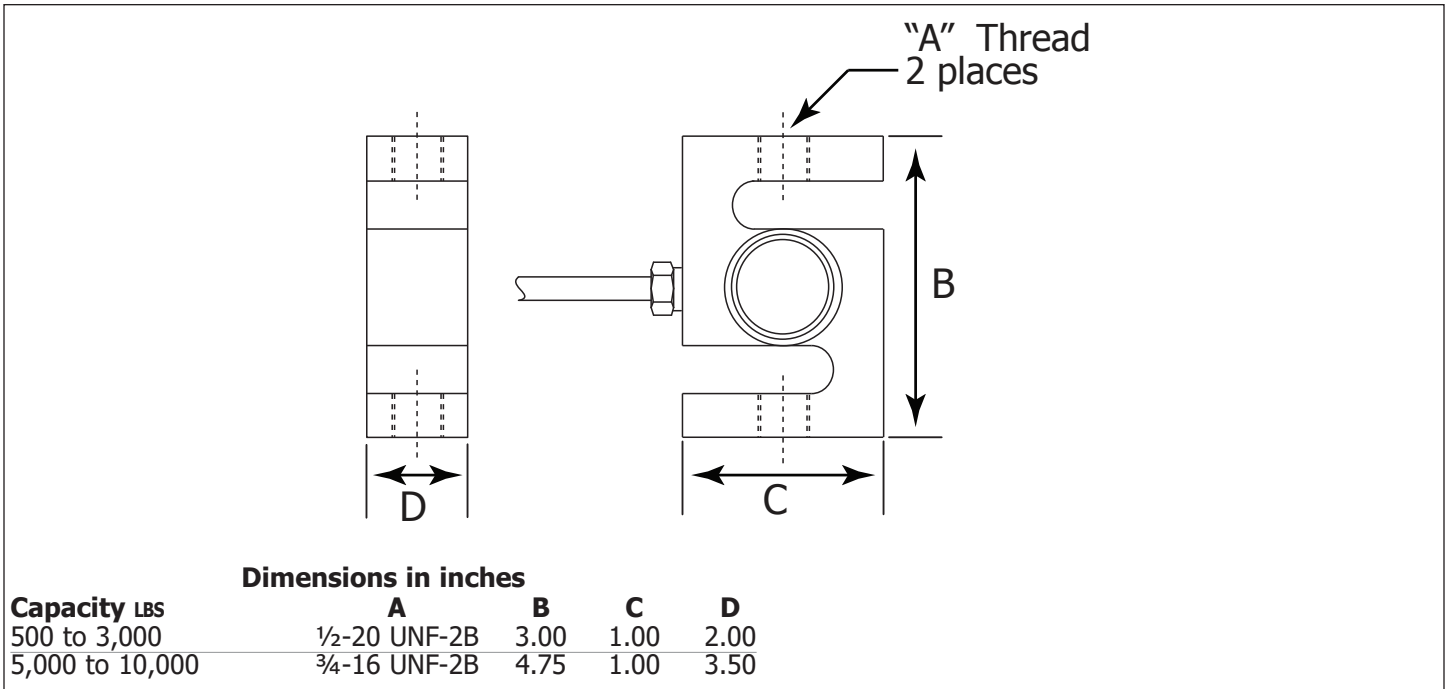
Rated capacity ..... 500 to 10,000 lbs  
 Full scale (FS) output (mV/V) ..... 2.0 Nominal  
 Safe overload ..... 150% FS

Temperature range:  
 Compensated range ..... 14°F to 104°F  
 Temperature range ..... 0°F to 150°

Bridge resistance:  
 Input ..... 350 Ω ± 29%  
 Output ..... 350 Ω ± 1%  
 Sealing ..... IP68  
 Construction ..... 17-4 pH Stainless steel

**Wiring code:**

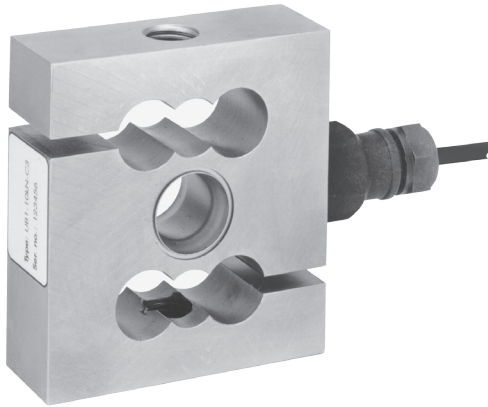
**Red** = + Ex  
**Black** = - Ex  
**Green** = + Sig  
**White** = - Sig



Capacity LBS	Part No.	Model	Cable length
500	96055	LCF-H3095-1	20' Polyurethane
750	96057	LCF-H3095-2	20' Polyurethane
1,000	96049	LCF-H3095-3	20' Polyurethane
1,500	96050	LCF-H3095-4	20' Polyurethane
2,000	96052	LCF-H3095-5	20' Polyurethane
2,500	96053	LCF-H3095-6	20' Polyurethane
3,000	96054	LCF-H3095-7	20' Polyurethane
5,000	96056	LCF-H3095-8	20' Polyurethane
10,000	96047	LCF-H3095-9	20' Polyurethane



CC# 11-003



**Specifications**

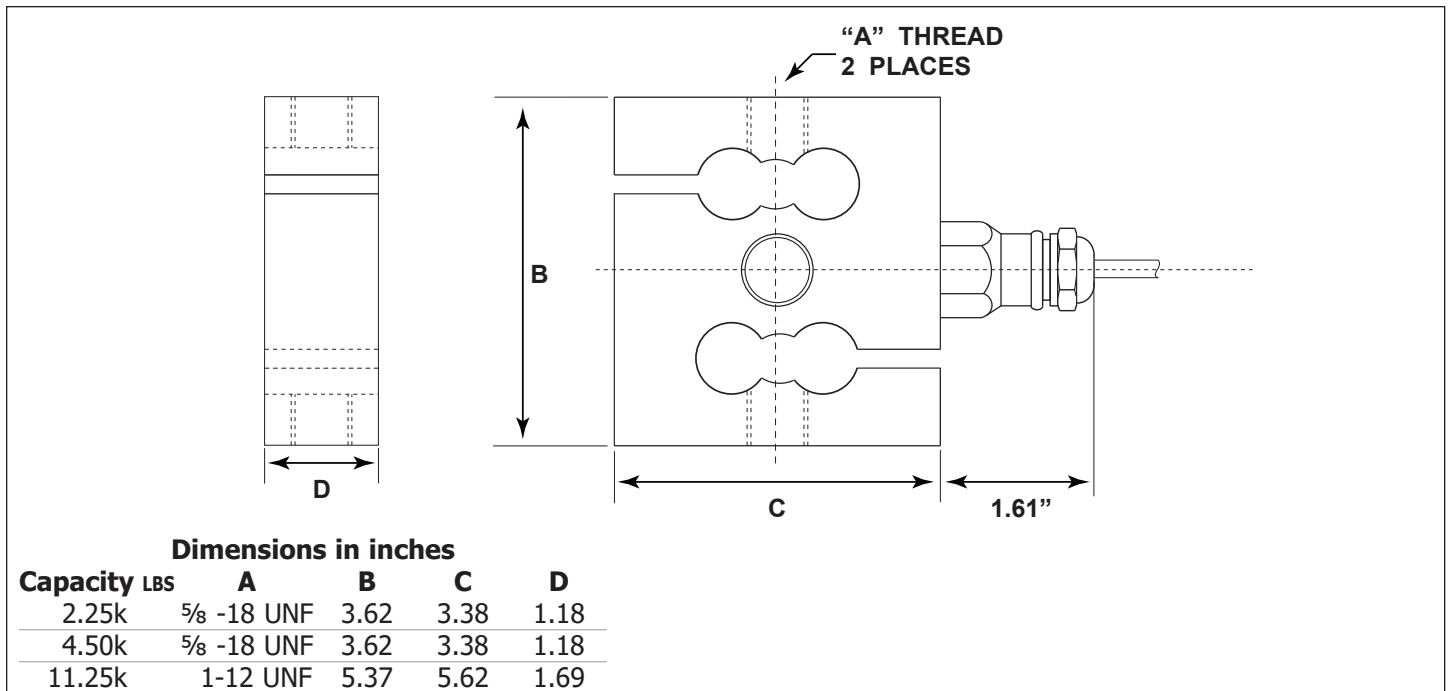
Rated capacity ..... 2.25k to 11.25k lbs  
 Full scale (FS) output (mV/V) ..... 2.0 ± 0.1%  
 Safe overload ..... 150% FS

Temperature range:  
 Compensated range ..... 14°F to 150°F  
 Temperature range ..... -40°F to 176°

Terminal resistance:  
 Input ..... 1106 Ω ± 4.5%  
 Output ..... 1000 Ω ± 1%  
 Sealing ..... IP68/69K  
 Construction ..... Stainless steel

**Wiring code:**

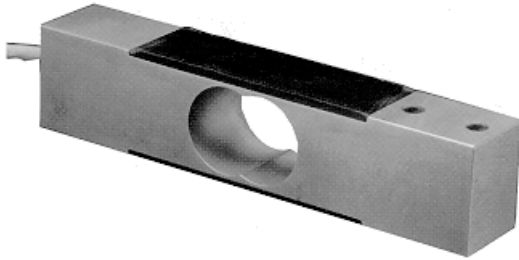
- Green** = + Ex
- Black** = - Ex
- White** = + Sig
- Red** = - Sig
- Yellow** = Shield



Capacity LBS	Part No.	Model	Cable length
2.25k	24599	LCF-HR5060-1	20' Polyurethane
4.5k	24600	LCF-HR5060-2	20' Polyurethane
11.25k	24601	LCF-HR5060-3	20' Polyurethane



CC# 92-099



**Specifications**

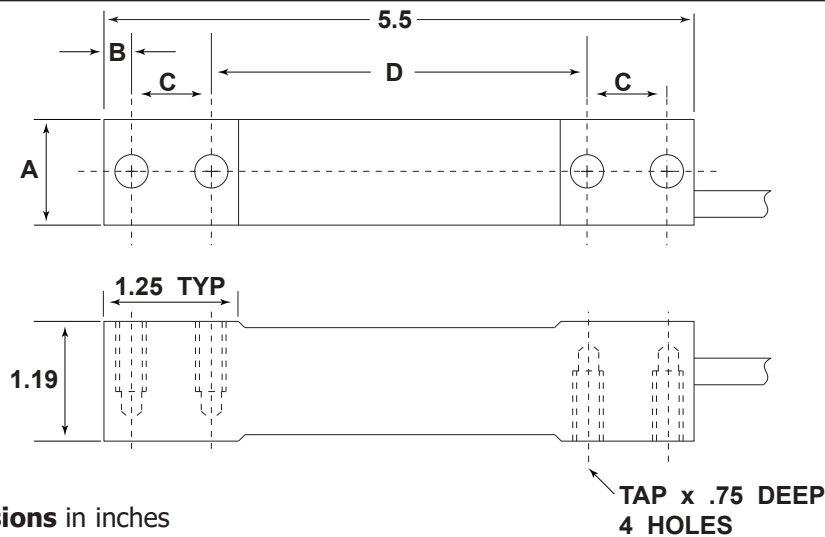
Rated capacity ..... 7 to 150 kgs  
 Full scale (FS) output (mV/V) ..... 2.0 ± 0.1%  
 Safe overload ..... 150% FS

Temperature range:  
 Compensated ..... 14°F to 104°F

Bridge resistance:  
 Input ..... 350 Ω min  
 Output ..... 350 Ω ± 1%  
 Sealing ..... IP67 / IP69K  
 Construction ..... Stainless steel

**Wiring code:**

**Green** = + Ex  
**Black** = - Ex  
**White** = + Sig  
**Red** = - Sig



Capacity KG	Dimensions in inches				
	A	B	C	D	Thread
7, 10, 15	0.75	0.25	0.75	3.50	1/4 - 20
30, 60	0.94	0.25	0.75	3.50	1/4 - 20
100, 150	1.21	0.31	0.88	3.12	3/8 - 16

Capacity KG	Part No.	Model	Cable length
7	14961	PWS	10' Polyurethane
10	14962	PWS	10' Polyurethane
30	14963	PWS	10' Polyurethane
60	14964	PWS	10' Polyurethane
100	14965	PWS	10' Polyurethane
150	14966	PWS	10' Polyurethane

---

## Fairbanks Scales

---

This page left blank intentionally.