



PARTS Catalog

Overhaul Kits

***ALL PRICING IN
NEXUS
PARTS BY NUMBER
SECTION***

Every effort has been made to provide complete and accurate information and to maintain the Parts Catalog to ensure the accuracy of prices of items listed.

Published prices in the Parts Catalog are based on materials and labor as of the date of the publication. A change in such costs shall give Fairbanks Scales the right to adjust the prices to reflect such changes in cost.

Contents

This is a cross-reference guide for the kit numbers and page numbers.
Locate the capacity, then the number of sections,
followed by the main lever number, and stand number.

Type S Cast Iron Levers

Capacity (tons)	No. of Sections	Main Lever No.	Main Lever Stand No.	Suspension Kit No.	Suspension Page No.	P&B Kit No.	P&B Page No.
10	2	SEC 8A	SEC 19	60071	35	60330**	7
10	2	SEC 8A	86739	60071	35	96364	8
10	2	SEC 8A	SEC 19	94018*	35	60330**	7
10	2	87206	SEC 19	60071	35	60330**	7
10	2	87206	86739	60071	35	96364	8
10	2	87206	SEC 19	94018*	35	60330**	7
20	2	SD 8 D	SD 19 E	60074	36	96375**	9
20	2	SD 8 D	SD 19 E	60074	36	96376	10
20	2	SD 8 D	SD 19 E	98538*	37	96375**	9
20	2	SD 8 E	86739	60074	36	96375**	9
20	2	SD 8 E	86739	60074	36	96376	10
20	2	SD 8 E	86739	98538*	37	96375**	9
20	2	SD 8 F	SD 19 A	60074	36	96375**	9
20	2	SD 8 F	SD 19 A	60074	36	96376	10
20	2	SD 8 F	SD 19 A	98538*	37	96375**	9
20	2	82102	SD 19 E	60074	36	96375**	9

* Indicates kits with **GIRDER CHAIRS**

** Indicates kits with **BEARING BLOCK** assemblies

Contents

Type S Cast Iron Levers

Capacity (tons)	No. of Sections	Main Lever No.	Main Lever Stand No.	Suspension Kit No.	Suspension Page No.	P&B Kit No.	P&B Page No.
30	2	SD 8 K	SD 19 E	60076	38	60334**	11
30	2	SD 8 K	SD 19 E	94046*	38	60334**	11
30	2	SD 8 L	SD 19 E	60076	38	60334**	11
30	2	SD 8 L	SD 19 E	94046*	38	60334**	11
30	2	80733	SD 19 E	60076	38	60334**	11
30	2	80733	SD 19 E	94046*	38	60334**	11
30	2	87380	86693	60076	38	96368	12
30	2	87380	86693	60076	38	96368	12
40	2	SH 8 E	SD 19 E	60077	39		
40	2	SH 8 E	SD 19 E	94064*	39		
50	4	SD 8 F	SD 19 E	60079	40	96372**	13
50	4	SD 8 F	SD 19 E	94084*	41	96372**	13
50	4	SD 8 F	SD 19 E	60079	40	96373	14
50	4	80738	86693	60198	42	96360	15

*INDICATES KITS WITH GIRDER CHAIRS

**INDICATES KITS WITH BEARING BLOCK ASSEMBLIES

Contents

Type S Cast Iron Levers

Capacity (tons)	No. of Sections	Main Lever No.	Main Lever Stand No.	Suspension Kit No.	Suspension Page No.	P&B Kit No.	P&B Page No.
60	4	SD 8 L	SD 19 E	60198	42	60340**	16
60	4	87380	86693	60198	42	96370	17
60	4	87380	86693	60198	42	96360	15
60	4	87426	86764	60195	42	77246	20
60	5	87380	SD 19E	60199	43	60341**	19
60	5	SD 8 L	SD 19 E	60199	43	60341**	19
60	5	87380	86693	60199	43	96371	21
60	5	SD 8 L	SD 19 E	60199	43	96361	22
60	5	87380	86693	60199	43	96371	21
60	5	87426	86764	60196	45	96362	23
60	5	87426	86764	60196	45	76122	24
75	4	SH 8 M1	SH 19 B	60195	42	60192	18
75	4	SH 8 M1	86764	60195	42	60192	18
75	4	87210	86764	60195	42	60192	18
75	4	87426	86764	60195	42	60192	18
75	5	SH 8 M1	SH 19B	60196	45	96362	23
75	5	SH 8 M1	86764	60196	45	96362	23
75	5	87210	86764	60196	45	96362	23
75	5	87426	86764	60196	45	96362	23
80	4	87426	86764	60195	42	60192	18
80	5	87426	86764	60196	45	96362	23
100	4	87426	86764	60195	42	60192	18
100	5	87426	86764	60196	45	96362	23
120	4	87392	87387	76951	44		
120	5	87392	87387	79496	45		

***INDICATES KITS WITH GIRDER CHAIRS**

****INDICATES KITS WITH BEARING BLOCK ASSEMBLIES**

Contents

Fabricated Levers

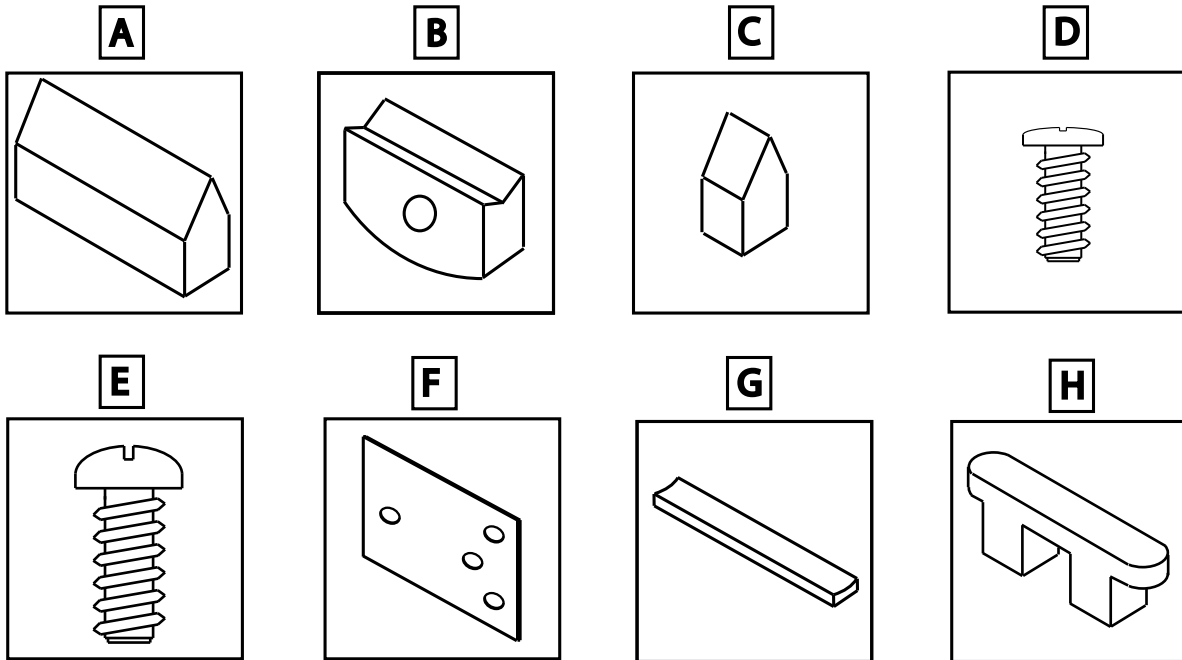
Capacity (tons)	No. of Sections	Main Lever No.	Main Lever Stand No.	Suspension Kit No.	Suspension Page No.	P&B Kit No.	P&B Page No.
30	2	45-005-600	91152	94554	46	94553	25
30	2	45-005-600	91152	94555*	46	94553	25
30	2	45-005-600	91152	94557	47	94556	26
30	2	45-005-600	91152	75167*	47	94556	26
50	3	45-005-600	91152	94560	48	94559	27
50	3	45-005-600	91152	94561*	48	94559	27
50	4	45-005-600	91152	94578	49	94577	28
50	4	45-005-600	91152	94579*	49	94577	28
60	4	45-005-600	91152	94565	50	94564	30
60	4	45-005-600	91152	94566*	50	94564	30
60	5	45-005-600	91152	56068	51	94562	29
60	5	45-005-600	91152	94563*	51	94562	29
60	5	45-005-600	91152	94568	52	94567	31
60	5	45-005-600	91152	94569*	52	94567	31
60	6	45-005-600	91152	94571	53	94570	32
60	6	45-005-600	91152	94573*	53	94570	32
75	7	45-005-600	91152	94575	54	94574	33
75	7	45-005-600	91152	94576*	54	94574	33
75	8	45-005-600	91152	94581	55	94580	34
75	8	45-005-600	91152	94582*	55	94580	34

***Indicates kits with CAST SUSPENSION**

Pivot and Bearing Kits - 10 Ton, 2 Section

Part #
60330 **Original part #**
86918

Item #	Qty	Part #	Original part #	Description
A	7	54465	SD 139 A	Pivot, 1/2" x 1" x 5 1/4", tapered
B	28	54585	SD 183 K	Bearing, 1/2" x 1" x 1 1/16", with 3/8" hole
C	28	54710	SD 253	Pivot, 1/2" x 1" x 1", tapered
D	20	54652	212-MS	Screw, 10-24 x 3/8", pan head, slot, MS
E	10	10941	219-MS	Screw, 1/4-20 x 1/2", round head, slot, MS
F	20	59851	83364	Anti-friction plate
G	7	60247	86694	Bearing, 1/2" x 1" x 5 3/8"
H	7	60406	86797	Bearing block assembly (includes (2) bearing retainer 60287 and (2) cap screws 3/8 x 16 x 5/8 (54260)



Cast Lever System Selector
USE THIS KIT IF:

Main Lever

Assembly/Casting #	Part #
SEC 8 A	60360
87206	60360

Main Lever Stand

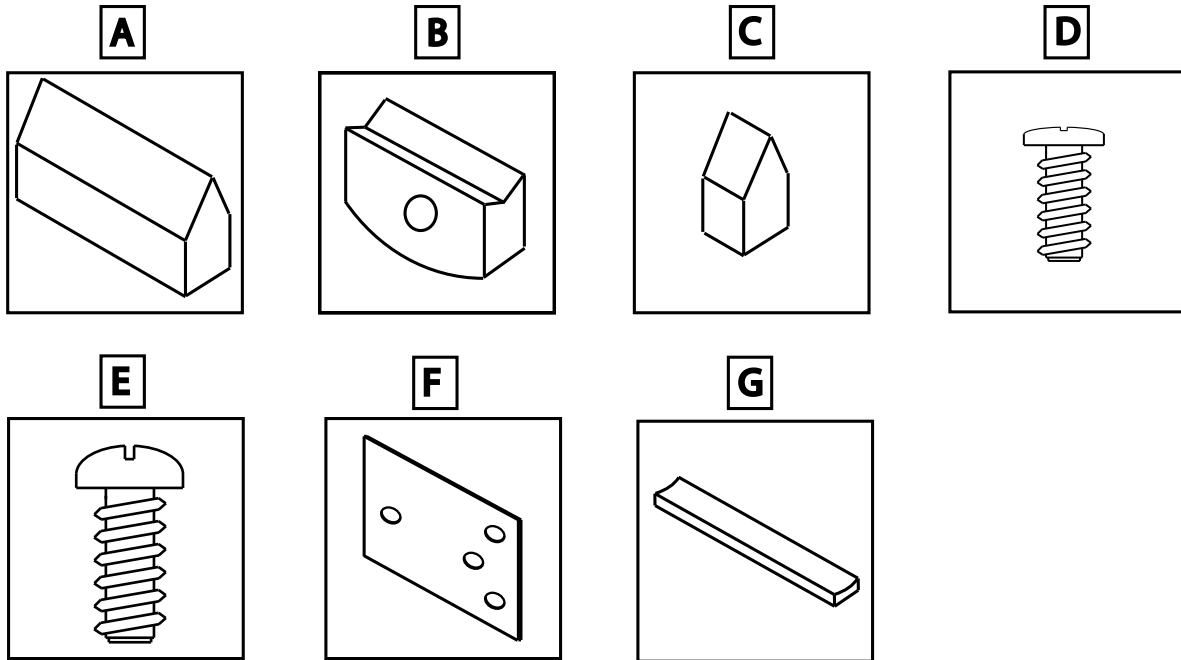
Assembly/Casting #	Part #
SEC 19	N/A

Pivot and Bearing Kits - 10 Ton, 2 Section (Kit without bearing blocks)

Part #
96364

Original part #
86918 A

Item #	Qty	Part #	Original part #	Description
A	7	54465	SD 139 A	Pivot, 1/2" x 1" x 5 1/4", tapered
B	28	54585	SD 183 K	Bearing, 1/2" x 1" x 1 1/16", with 3/8" hole
C	28	54710	SD 253	Pivot, 1/2" x 1" x 1", tapered
D	20	54652	212-MS	Screw, 10-24 x 3/8", pan head, slot, MS
E	10	54666	219-MS	Screw, 1/4-20 x 1/2", round head, slot, MS
F	20	59851	83364	Anti-friction plate
G	7	60247	86694	Bearing, 1" x 1 x 5 3/8"



Cast Lever System Selector

USE THIS KIT IF:

Main Lever

Assembly/Casting #

SEC 8 A
87206

Part #

60360
60360

Main Lever Stand

Assembly/Casting #

86739
87245

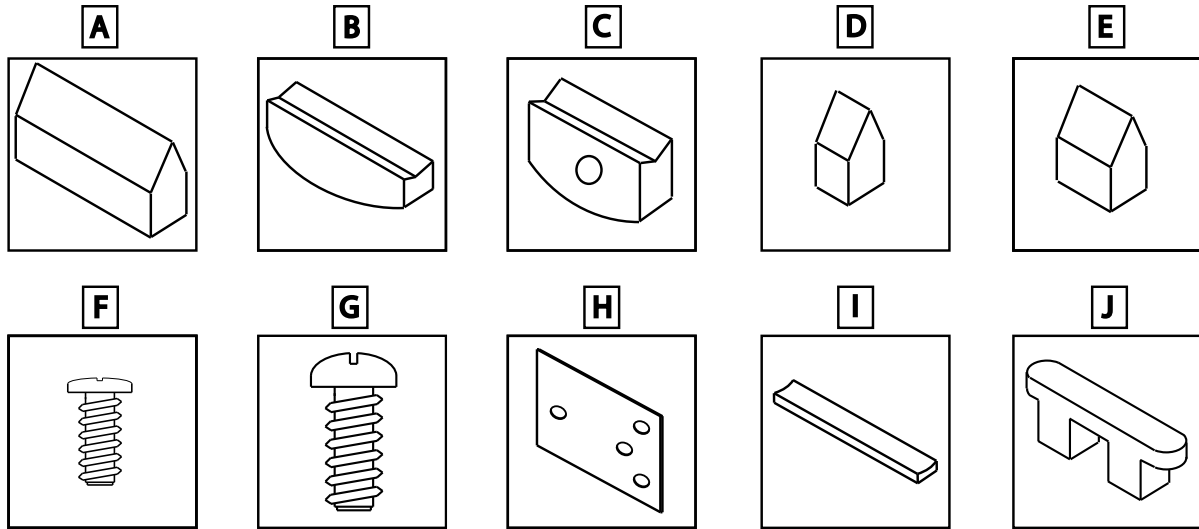
Part #

60398
60398

Pivot and Bearing Kits - 20 Ton, 2 Section

Part #
96375 **Original part #**
87434

Item #	Qty	Part #	Original part #	Description
A	7	54465	SD 139 A	Pivot, 1/2" x 1" x 5 1/4", tapered
B	8	54583	SD 183 H	Bearing, 1/2" x 1" x 2 9/16"
C	20	54585	SD 183 K	Bearing, 1/2" x 1" x 1 1/16", with 3/8" hole
D	20	54710	SD 253	Pivot, 1/2" x 1" x 1", tapered
E	8	54717	SD 255 A	Pivot, 1/2" x 1" x 2 1/2", tapered
F	20	54652	212-MS	Screw, 10-24 x 3/8", pan head, slot, MS
G	10	54666	219-MS	Screw, 1/4-20 x 1/2", round head, slot, MS
H	20	59851	83364	Anti-friction plate
I	7	60247	86694	Bearing, 1" x 1" x 5 3/8"
J	7	60406	86797	Bearing block assembly (includes (2) bearing retainers (60287) and (2) cap screws 3/8 - 16 x 5/8" (54260)



Cast Lever System Selector

USE THIS KIT IF:

Main Lever

Assembly/Casting #	Part #
SD 8 D	N/A
SD 8 E	60366
SD 8 F	N/A
82102	N/A

Main Lever Stand

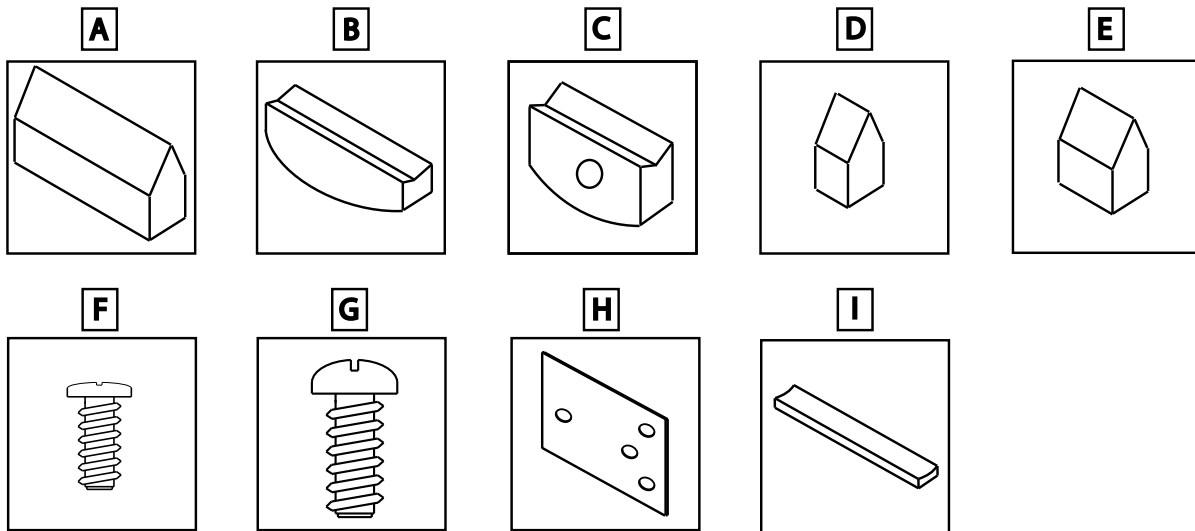
Assembly/Casting #	Part #
SD 19 A	N/A
SD 19 E	N/A
86739	60398
87245	60398

Pivot and Bearing Kits - 20 Ton, 2 Section (Kit without bearing blocks)

Part #
96376

Original part #
87434 A

Item #	Qty	Part #	Ref #	Description
A	7	54465	SD 139 A	Pivot, 1/2" x 1" x 5 1/4", tapered
B	8	54583	SD 183 H	Bearing, 1/2" x 1" x 2 ⁹ / ₁₆ "
C	20	54585	SD 183 K	Bearing, 1/2" x 1" x 1 ¹ / ₁₆ ", with 3/8" hole
D	20	54710	SD 253	Pivot, 1/2" x 1" x 1", tapered
E	8	54717	SD 255 A	Pivot, 1/2" x 1" x 2" x 1/2", tapered
F	20	54652	212-MS	Screw, 10-24 x 3/8", pan head, slot, MS
G	10	54666	219-MS	Screw, 1/4-20 x 1/2", round head, slot, MS
H	20	59851	83364	Anti-friction plate
I	7	60247	86694	Bearing, 1/2" x 1" x 5 3/8"



Cast Lever System Selector

USE THIS KIT IF:

Main Lever

Assembly/Casting #	Part #
SD 8 D	N/A
SD 8 E	60366
SD 8 F	N/A
82102	N/A

Main Lever Stand

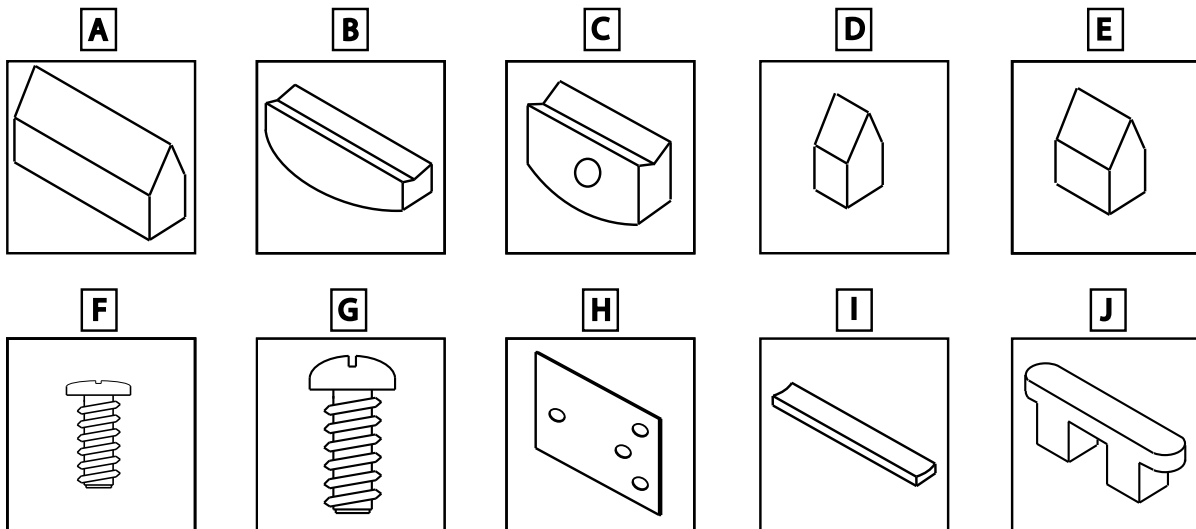
Assembly/Casting #	Part #
SD 19 A	N/A
SD 19 E	N/A
86739	60398
87245	60398

Pivot and Bearing Kits - 30 Ton, 2 Section

Part #
60334

Original part #
86922

Item #	Qty	Part #	Original part #	Description
A	7	54465	SD 139 A	Pivot, 1/2" x 1" x 5 1/4", tapered
B	8	54584	SD 183 J	Bearing, 1/2" x 1" x 3 5/16"
C	20	54585	SD 183 K	Bearing, 1/2" x 1" x 1 1/16", with 3/8" hole
D	20	54710	SD 253	Pivot, 1/2" x 1" x 1", tapered
E	8	54721	SD 255 C	Pivot, 1/2" x 1" x 3 1/4", tapered one end
F	20	54652	212-MS	Screw, 10-24 x 3/8", pan head, slot, MS
G	10	54666	219-MS	Screw, 1/4-20 x 1/2", round head, slot, MS
H	20	59851	83364	Anti-friction plate
I	7	60247	86694	Bearing, 1/2" x 1" x 5 3/8"
J	7	60407	86822	Bearing block assembly (includes (2) bearing retainers (60287) and (2) cap screw 3/8-16 x 5/8" (54260)



Cast Lever System Selector

USE THIS KIT IF:

Main Lever

Assembly/Casting #

SD 8 K
SD 8 L
80733

Part #

N/A
N/A
59810

Main Lever Stand

Assembly/Casting #

SD 19 E

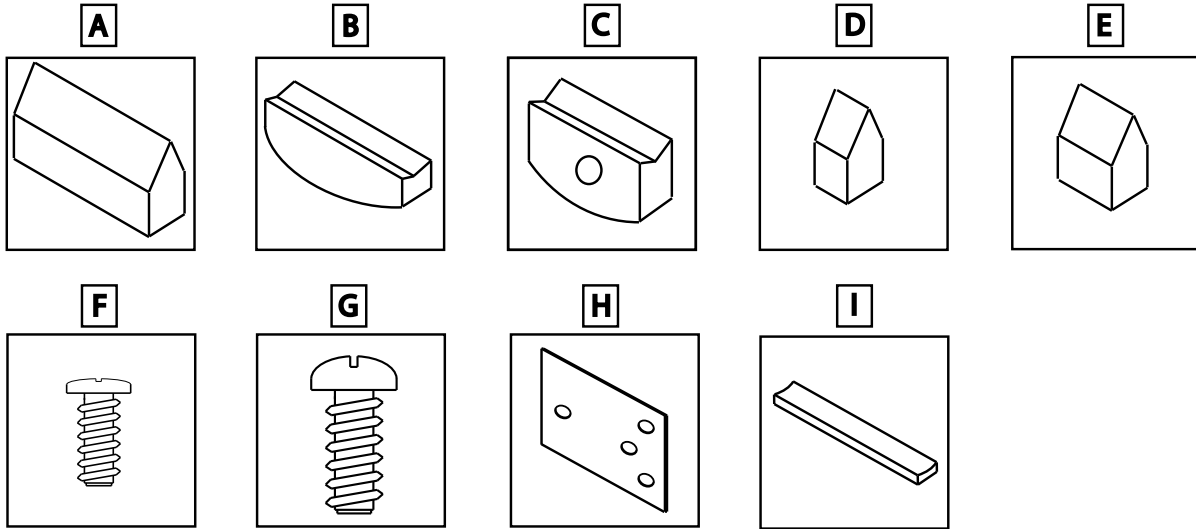
Part #

N/A

Pivot and Bearing Kits - 30 Ton, 2 Section (Kit without bearing blocks)

Part # 96368	Ref # 86922 A	Product # 90953; 90954; 90955 90973; 90974; 90975
------------------------	-------------------------	--

Item #	Qty	Part #	Original part #	Description
A	7	54465	SD 139 A	Pivot, 1/2" x 1" x 5 1/4", tapered
B	8	54584	SD 183 J	Bearing, 1/2" x 1" x 3 5/16"
C	20	54585	SD 183 K	Bearing, 1/2" x 1" x 1 1/16", with 3/8" hole
D	20	54710	SD 253	Pivot, 1/2" x 1" x 1", tapered
E	8	54721	SD 255 C	Pivot, 1/2" x 1" x 3 1/4", tapered one end
F	20	54652	212-MS	Screw, 10-24 x 3/8", pan head, slot, MS
G	10	54666	219-MS	Screw, 1/4-20 x 1/2", round head, slot, MS
H	20	59851	83364	Anti-friction plate
I	7	60247	86694	Bearing, 1/2" x 1" x 5 3/8"



Cast Lever System Selector

USE THIS KIT IF:

Main Lever

Assembly/Casting #	Part #
87380	60724
87828	60724

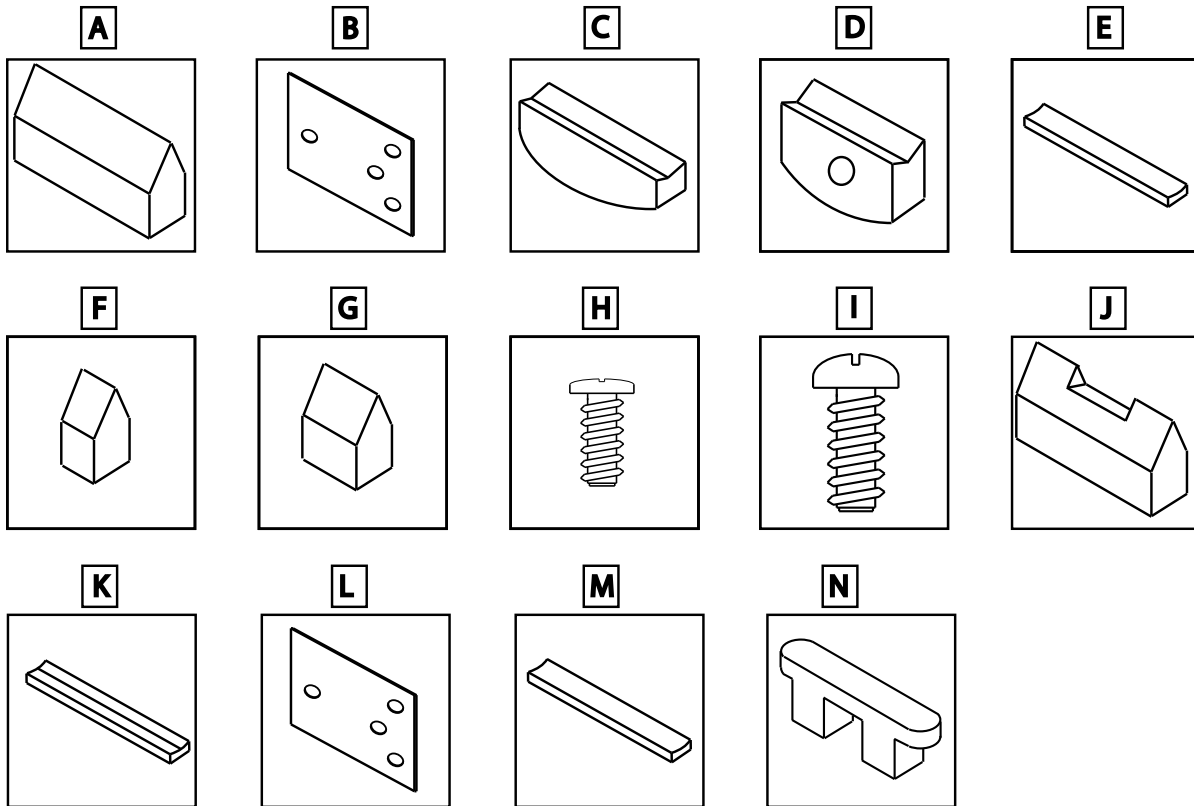
Main Lever Stand

Assembly/Casting #	Part #
86693	60399
87246	60399

Pivot and Bearing Kits - 50 Ton, 4 Section

Part #
96372 **Original part #**
87203

Item #	Qty	Part #	Original part #	Description
A	12	54465	SD 139 A	Pivot, 1/2" x 1" x 5 1/4", tapered
B	2	54520	TX 152	Anti-friction plate, 1/8" x 3/4" x 1 9/16"
C	16	54583	SD 183 H	Bearing, 1/2" x 1" x 2 9/16"
D	40	54585	SD 183 K	Bearing, 1/2" x 1" x 1 1/16", with 3/8" hole
E	2	54603	SD 194AM1	Bearing, 1" x 1/2" x 5 1/2", tapered
F	40	54710	SD 253	Pivot, 1/2" x 1" x 1", tapered
G	16	54717	SD 255 A	Pivot, 1/2" x 1" x 2 1/2", tapered
H	20	54652	212-MS	Screw, 10-24 x 3/8", Pan Hd, Slot, MS
I	10	54666	219-MS	Screw, 1/4-20 x 1/2", Round Hd, Slot, MS
J	1	59840	82498	Pivot, 1/2" x 1" x 5 1/4"
K	1	59841	82499	Bearing, 1/2" X 1" x 5 1/4", tapered
L	20	59851	83364	Anti-friction plate, 1/8" x 1 3/8" x 1 1/2"
M	10	60247	86694	Bearing, 1/2" x 1" x 5 3/8"
N	10	60407	86822	Bearing block assembly, 2" x 5 13/32"



Cast Lever System Selector

USE THIS KIT IF:

Main Lever

Assembly/Casting #

SD 8 F

Part #

N/A

Main Lever Stand

Assembly/Casting #

SD 19 E

Part #

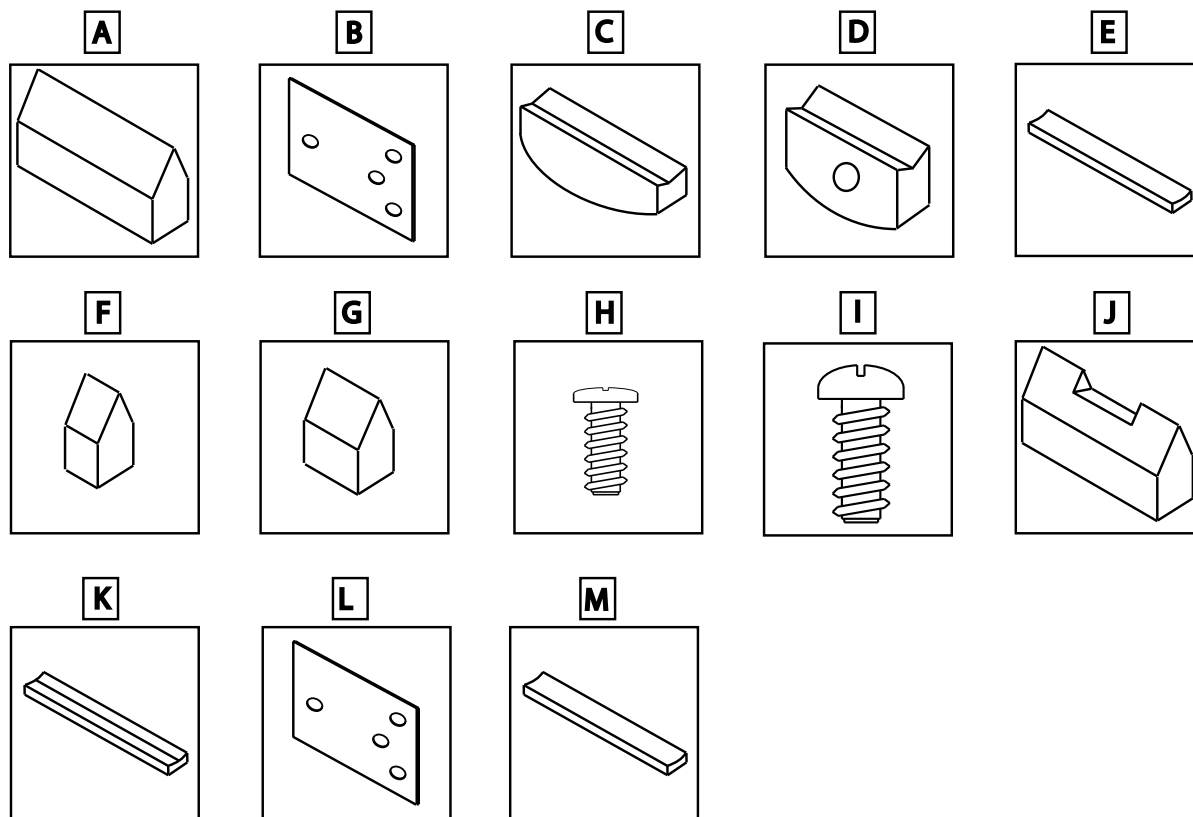
N/A

Pivot and Bearing Kits - 50 Ton, 4 Section (Kit without bearing blocks)

Part #
96373

Original part #
87203 A

Item #	Qty	Part #	Original part #	Description
A	12	54465	SD 139 A	Pivot, 1/2" x 1" x 5 1/4", tapered
B	2	54520	TX 152	Anti-friction plate, 1/8" x 3/4" x 1 9/16"
C	16	54583	SD 183 H	Bearing, 1/2" x 1" x 2 9/16"
D	40	54585	SD 183 K	Bearing, 1/2" x 1" x 1 1/16", with 3/8" hole
E	2	54603	SD 194AM1	Bearing, 1" x 1/2" x 5 1/2", tapered
F	40	54710	SD 253	Pivot, 1/2" x 1" x 1", tapered
G	16	54717	SS 255 A	Pivot, 1/2" x 1" x 2 1/2", tapered
H	20	54652	212-MS	Screw, 10-24 x 3/8", pan hd, slot, MS
I	10	54666	219-MS	Screw, 1/4-20 x 1/2", round hd, slot, MS
J	1	59840	82498	Pivot, 1/2" x 1" x 5 1/4"
K	1	59841	82499	Bearing, 1" x 1/2" x 5 1/2", tapered
L	20	59851	83364	Anti-friction plate, 1/8" x 1 3/8" x 1 1/2"
M	12	60247	86694	Bearing, 1/2" x 1" x 5 3/8"



Cast Lever System Selector

USE THIS KIT IF:

Main Lever

Assembly/Casting #

SD 8 F

Part #

N/A

Main Lever Stand

Assembly/Casting #

SD 19 E

Part #

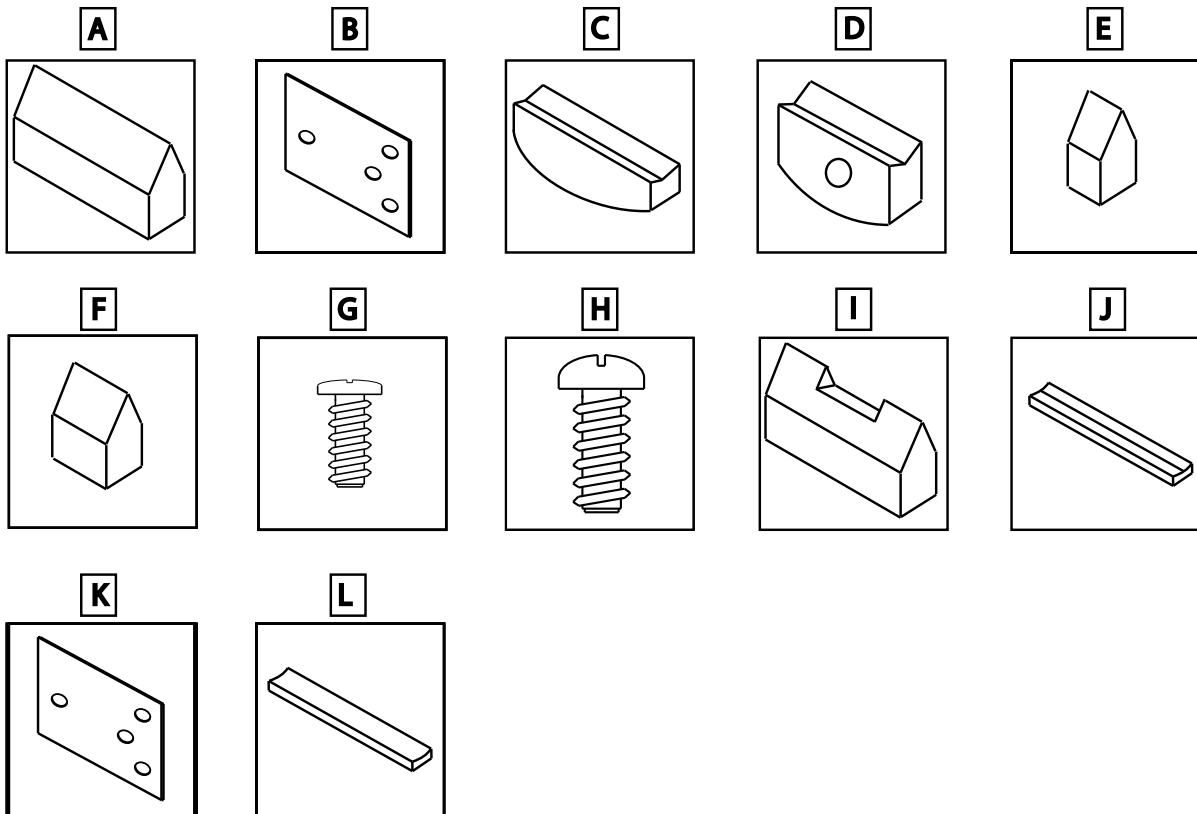
N/A

Pivot and Bearing Kits - 60 Ton, 4 Section

Part #
96360

Original part #
86281

Item #	Qty	Part #	Original part #	Description
A	12	54465	SD 139 A	Pivot, 1/2" x 1" x 5 1/4", tapered
B	2	54520	TX 152	Anti-friction plate, 1/8" x 3/4" x 1 9/16"
C	16	54584	SD 183 J	Bearing, 1/2" x 1" x 3 5/16"
D	40	54585	SD 183 K	Bearing, 1/2" x 1" x 1 1/16", with 3/8" hole
E	40	54710	SD 253	Pivot, 1/2" x 1" x 1", tapered
F	16	54721	SD 255 C	Pivot, 1/2" x 1" x 3 1/4", tapered one end
G	20	54652	212-MS	Screw, Pan Hd, Slotted, MS, 10-24 x 3/8"
H	10	54666	219-MS	Screw, Round Hd, Slotted, MS, 1/4-20 x 1/2"
I	1	59840	82498	Pivot, 1/2" x 1" x 5 1/4"
J	1	59841	82499	Bearing, 1" x 1/2" x 5 1/2", tapered
K	20	59851	83364	Anti-friction plate, 1/8" x 1 3/8" x 1 1/2"
L	10	60247	86694	Bearing, 1/2" x 1" x 5 3/8"



Cast Lever System Selector

USE THIS KIT IF:

Main Lever

Assembly/Casting #

87380

Part #

60724

Main Lever Stand

Assembly/Casting #

86693

Part #

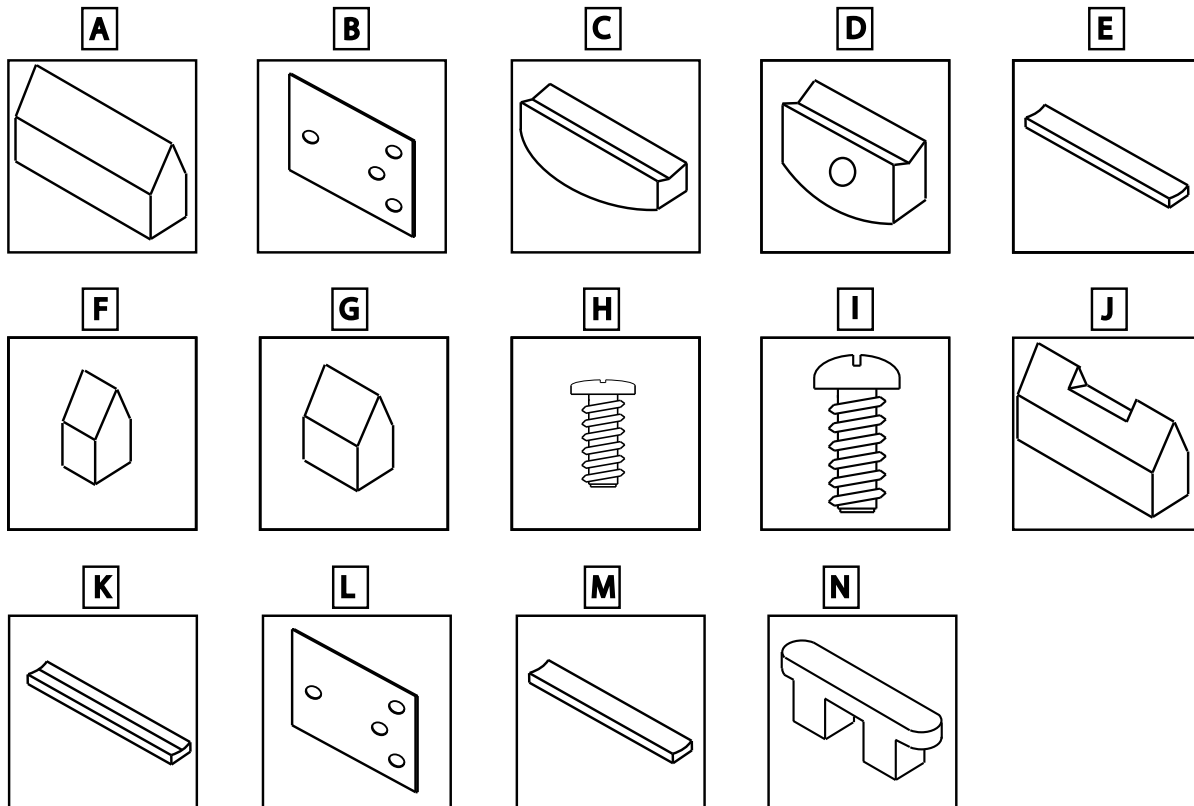
60399

Pivot and Bearing Kits - 60 Ton, 4 Section

Part #
60340

Original part #
86926

Item #	Qty	Part #	Original part #	Description
A	12	54465	SD 139 A	Pivot, 1/2" x 1" x 5 1/4", tapered
B	2	54520	TX 152	Anti-friction plate, 1/8" x 3/4" x 1 9/16"
C	16	54584	SD 183 J	Bearing, 1/2" x 1" x 3 5/16"
D	40	54585	SD 183 K	Bearing, 1/2" x 1" x 1 1/16", with 3/8" hole
E	2	54603	SD 194AM1	Bearing, 1" x 1/2" x 5 1/2", tapered
F	40	54710	SD 253	Pivot, 1/2" x 1" x 1", tapered
G	16	54721	SD 255 C	Pivot, 1/2" x 1" x 3 1/4", tapered one end
H	20	54652	6P 6032	Screw, 10-24 x 3/8
I	10	54666	6P 6258	Screw, 1/4-20 x 1/2
J	1	59840	82498	Pivot, 1/2" x 1" x 5 1/4"
K	1	59841	82499	Bearing, 1" x 1/2" x 5 1/2", tapered
L	20	59851	83364	Anti-friction plate, 1/8" x 1 3/8" x 1 1/2"
M	10	60247	86694	Bearing, 1" x 1/2" x 5 25/64"
N	10	60407	87256	Bearing Block, 2" x 5 13/32"



Cast Lever System Selector

USE THIS KIT IF:

Main Lever

Assembly/Casting #

SD 8 L
87380

Part #

60724
60724

Main Lever Stand

Assembly/Casting #

SD 19 E
86693
86764

Part #

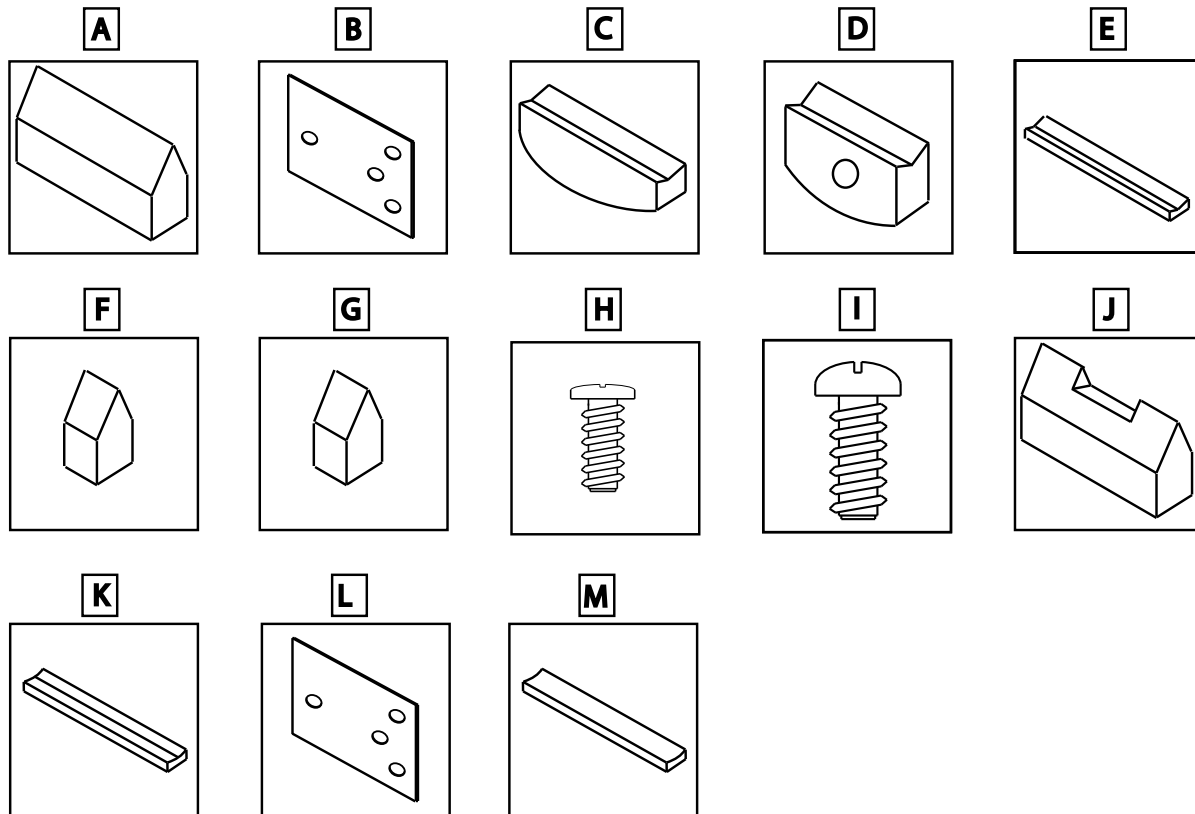
N/A
60399
60400

Pivot and Bearing Kits - 60 Ton, 4 Section (Kit without bearing blocks)

Part #
96370

Original part #
86926 A

Item #	Qty	Part #	Original part #	Description
A	12	54465	SD 139 A	Pivot, 1/2" x 1" x 5 1/4", tapered
B	2	54520	TX 152	Anti-friction plate, 1/8" x 3/4" x 1 9/16"
C	16	54584	SD 183 J	Bearing, 1/2" x 1" x 3 5/16"
D	40	54585	SD 183 K	Bearing, 1/2" x 1" x 1 1/16", with 3/8" hole
E	2	54603	SD 194AM1	Bearing, 1" x 1/2" x 5 1/2", tapered
F	40	54710	SD 253	Pivot, 1/2" x 1" x 1", tapered
G	16	54721	SD 255 C	Pivot, 1/2" x 1" x 3 1/4", tapered one end
H	20	54652	212-MS	Screw, 10-24 x 3/8, Pan HD, slot, MS
I	10	54666	219 MS	Screw, 1/4-20 x 1/2, Round HD, slot, MS
J	1	59840	82498	Pivot, 1/2" x 1" x 5 1/4"
K	1	59841	82499	Bearing, 1" x 1/2" x 5 1/4", tapered
L	20	59851	83364	Anti-friction plate, 1/8" x 1 3/8" x 1 1/2"
M	10	60247	86694	Bearing, 1" x 1/2" x 5 3/8"



Cast Lever System Selector

USE THIS KIT IF:

Main Lever

Assembly/Casting #

SD 8 L
87380

Part #

60724
60724

Main Lever Stand

Assembly/Casting #

SD 19 E
86693
86764

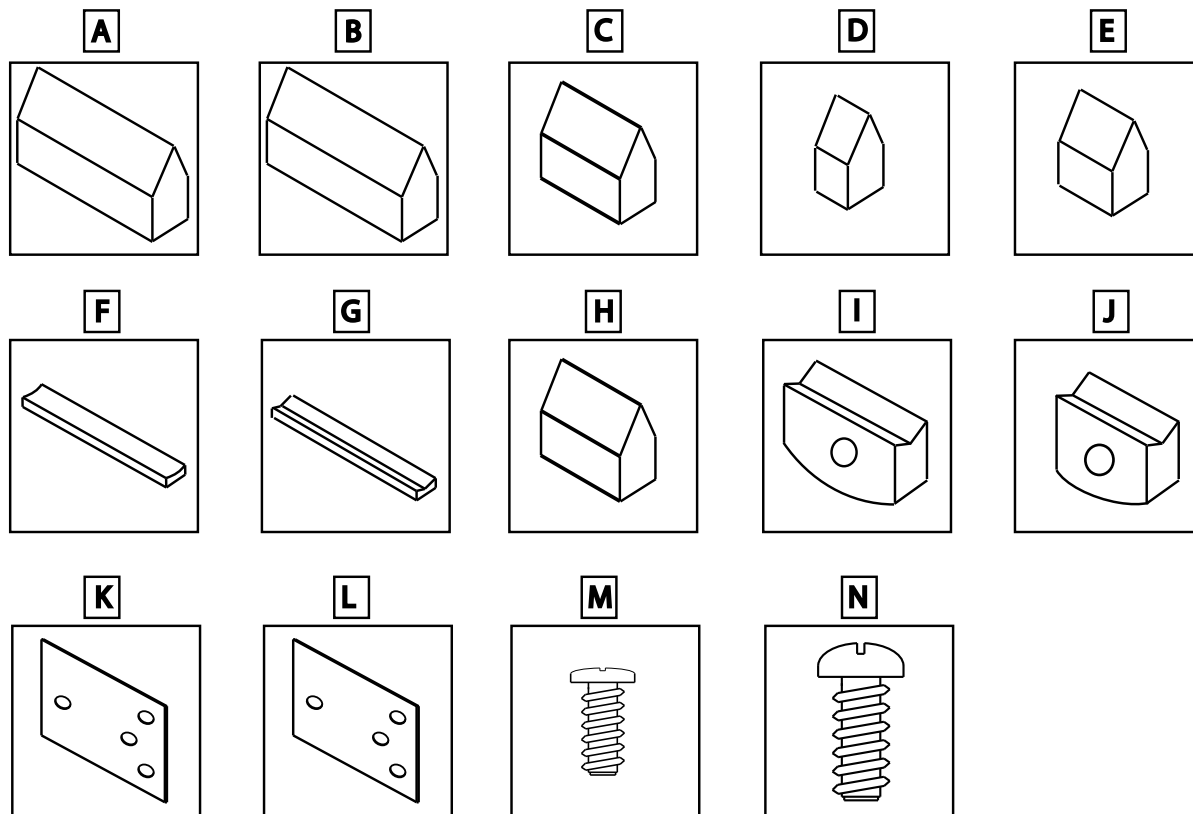
Part #

N/A
60399
60400

Pivot and Bearing Kits - 75/80/100 Ton, 4 Section

Part # 60192	Original part # 86382	Product # 90964; 90983; 91512 91515
------------------------	---------------------------------	--

Item #	Qty	Part #	Original part #	Description
A	12	54464	SH 139	Pivot, 1/2" x 1" x 7", F419P
B	1	54465	SD 139 A	Pivot, 1/2" x 1" x 5 1/4"
C	16	54720	SH 255 A	Pivot, 1/2" x 1" x 3 7/8"
D	32	54710	SD 253	Pivot, 1/2 X 1 X 1, F407P
E	8	54711	SH 253	Pivot, 1/2" x 1" x 1 1/2", F532P
F	12	60265	86754	Bearing, 1/2" x 1" x 7 1/8",
G	1	60266	86755	Bearing, 1/2 X 1 X 5 3/8, with V groove,
H	16	54581	SH 183 E	Pivot, 1/2" x 1" x 3 15/16", tapered one end
I	32	54585	SD 183 K	Bearing, 1/2" X 1" X 1 1/16"
J	8	59778	74057	Bearing, 1/2" X 1" X 1 9/16"
K	20	59851	83364	Anti-friction plate, 1/8" x 3/4" x 1 9/16"
L	2	54520	TX 152	Anti-friction plate, 1/8" x 3/4" x 1 9/16"
M	20	54652	212-MS	Screw, 10-24 x 3/8, Pan HD, Slot, MS
N	10	54666	219-MS	Screw, 1/4-20 x 1/2, Round HD, Slot, MS



Cast Lever System Selector

USE THIS KIT IF:

Main Lever

Assembly/Casting #

SH 8 M1
87210
87426

Part #

60363
60363
60363

Main Lever Stand

Assembly/Casting #

SH 19 B
86764
86764

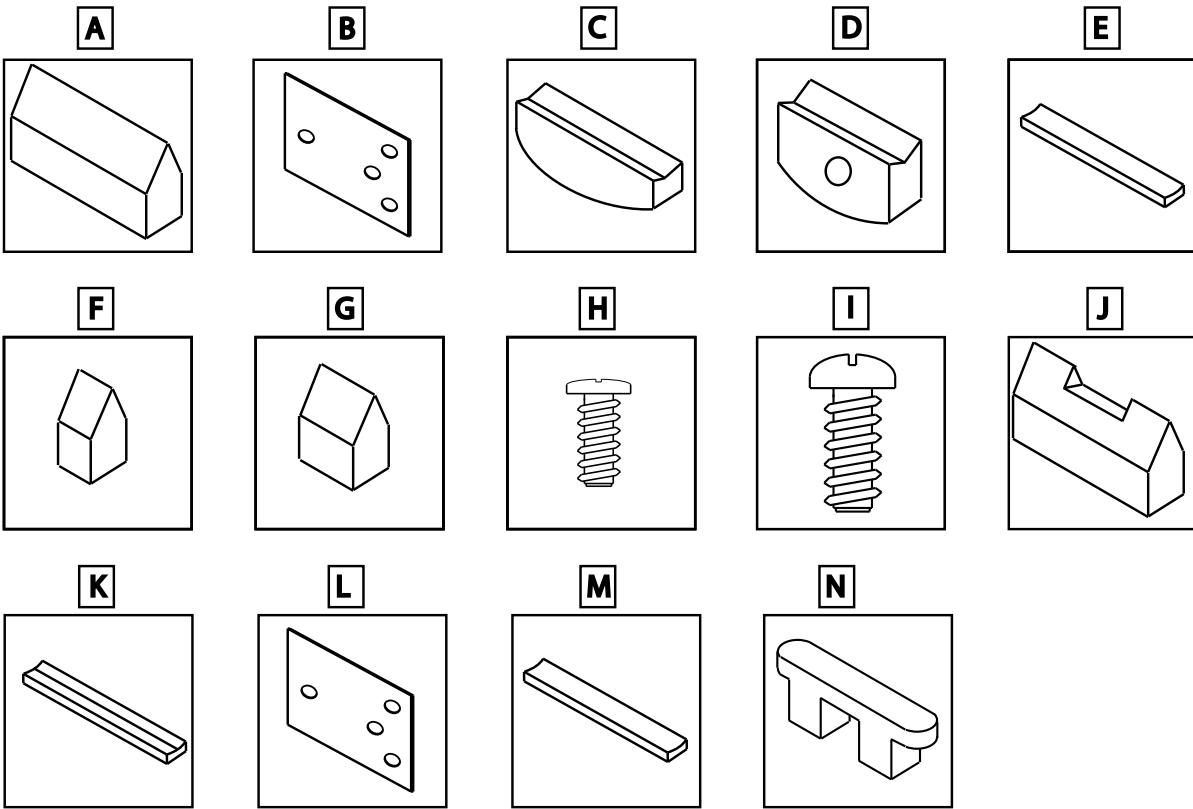
Part #

N/A
60400
60400

Pivot and Bearing Kits - 60 Ton, 4 Section

Part #
60341 **Original part #**
86927

Item #	Qty	Part #	Original part #	Description
A	16	54465	SD 139 A	Pivot, 1/2" x 1" x 5 1/4", tapered
B	2	54520	TX 152	Anti-friction plate, 1/8" x 3/4" x 1 9/16"
C	20	54584	SD 183 J	Bearing, 1/2" x 1" x 3 5/16"
D	54	54585	SD 183 K	Bearing, 1/2" x 1" x 1 1/16", with 3/8" hole
E	3	54603	SD 194AM1	Bearing, 1" x 1/2" x 5 1/2", tapered
F	54	54710	SD 253	Pivot, 1/2" x 1" x 1", tapered
G	20	54721	SD 255 C	Pivot, 1/2" x 1" x 3 1/4", tapered one end
H	22	54652	212-MS	Screw, 10-24 x 3/8", pan hd, slot, MS
I	12	54666	219-MS	Screw, 1/4-20 x 1/2", round hd, slot, MS
J	1	59840	82498	Pivot, 1/2" x 1" x 5 1/4"
K	2	59841	82499	Bearing, 1" x 1/2" x 5 1/2", tapered
L	24	59851	83364	Anti-friction plate, 1/8" x 1 3/8" x 1 1/2"
M	12	60247	86694	Bearing, 1" x 1/2" x 5 25/64"
N	12	60407	87256	Bearing Block, 2" x 5 13/32"



Cast Lever System Selector

USE THIS KIT IF:

Main Lever

Assembly/Casting #

SD 8 L

Part #

60724

Main Lever Stand

Assembly/Casting #

SD 19 E

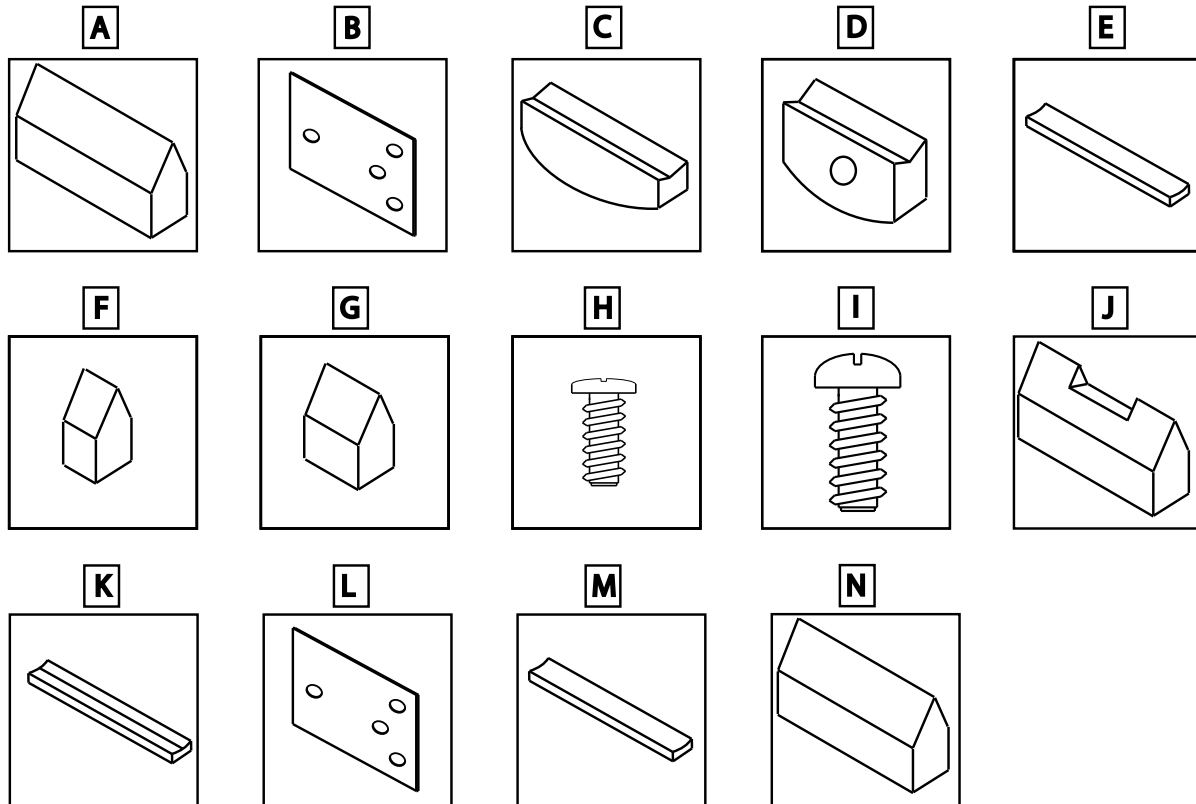
Part #

N/A

Pivot and Bearing Kits - 60 Ton, 4 Section

Part # 77246	Original part # N/A	Product # 90961; 90962; 90980; 90981
------------------------	-------------------------------	---

Item #	Qty	Part #	Original part #	Description
A	4	54465	SD 139 A	Pivot, 1/2" x 1" x 5 1/4", tapered
B	2	54520	TX 152	Anti-friction plate, 1/8" x 3/4" x 1 9/16"
C	4	60247	86694	Bearing, 1/2" x 1" x 5 3/8"
D	40	54585	SD 183 K	Bearing, 1/2" x 1" x 1 1/16", with 3/8" hole
E	1	60266	86755	Bearing, 1/2" x 1" x 5 3/8", V-groove
F	40	54710	SD 253	Pivot, 1/2" x 1" x 1"
G	16	54720	SH 255 A	Pivot, 1/2" x 1" x 3 7/8"
H	20	54652	212-MS	Screw, 10-24 x 3/8", pan hd, slot, MS
I	10	54666	219-MS	Screw, 1/4-20 x 1/2", round hd, slot, MS
J	1	59840	82498	Pivot, 1/2" x 1" x 5 1/4"
K	16	54581	SD 183 E	Bearing, 1/2" x 1 1/4" x 3 15/16"
L	20	59851	83364	Anti-friction plate, 1/8" x 1 3/8" x 1 1/2"
M	8	60265	86754	Bearing, 1/2" x 1" x 7 1/8"
N	8	54464	SH 139	Pivot 1/2" x 1" 7"



Cast Lever System Selector

USE THIS KIT IF:

Main Lever

Assembly/Casting #

SD 8 L

Part #

60724

Main Lever Stand

Assembly/Casting #

SD 19 E

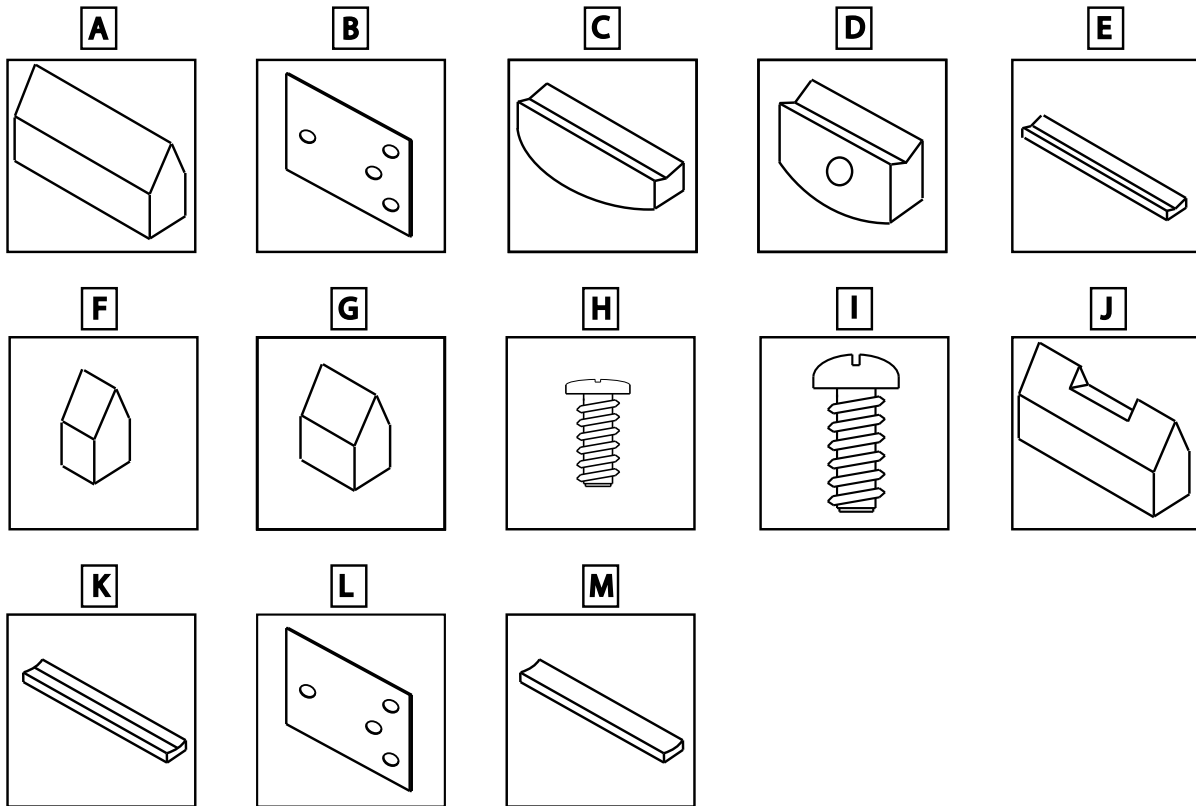
Part #

N/A

Pivot and Bearing Kits - 60 Ton, 5 Section

Part # 96371	Original part # 86927 A	Product # 90959; 90960; 90978 90979; 90986
------------------------	-----------------------------------	---

Item #	Qty	Part #	Original part #	Description
A	16	54465	SD 139 A	Pivot, 1/2" x 1" x 5 1/4", tapered
B	2	54520	TX 152	Anti-friction plate, 1/8" x 3/4" x 1 9/16"
C	20	54584	SD 183 J	Bearing, 1/2" x 1" x 3 5/16"
D	54	54585	SD 183 K	Bearing, 1/2" x 1" x 1 1/16", with 3/8" hole
E	3	54603	SD 194AM1	Bearing, 1" x 1/2" x 5 1/2", tapered
F	54	54710	SD 253	Pivot, 1/2" x 1" x 1", tapered
G	20	54721	SD 255 C	Pivot, 1/2" x 1" x 3 1/4", tapered one end
H	22	54652	212-MS	Screw, 10-24 x 3/8, Pan HD, slot, MS
I	12	54666	219-MS	Screw, 1/4-20 x 1/2, Round HD, slot, MS
J	1	59840	82498	Pivot, 1/2" x 1" x 5 1/4"
K	2	59841	82499	Bearing, 1" x 1/2" x 5 1/2", tapered
L	24	59851	83364	Anti-friction plate, 1/8" x 1 3/8" x 1 1/2"
M	12	60247	86694	Bearing, 1" x 1/2" x 5 3/8"



Cast Lever System Selector

USE THIS KIT IF:

Main Lever

Assembly/Casting #

87380

Part #

60724

Main Lever Stand

Assembly/Casting #

86693

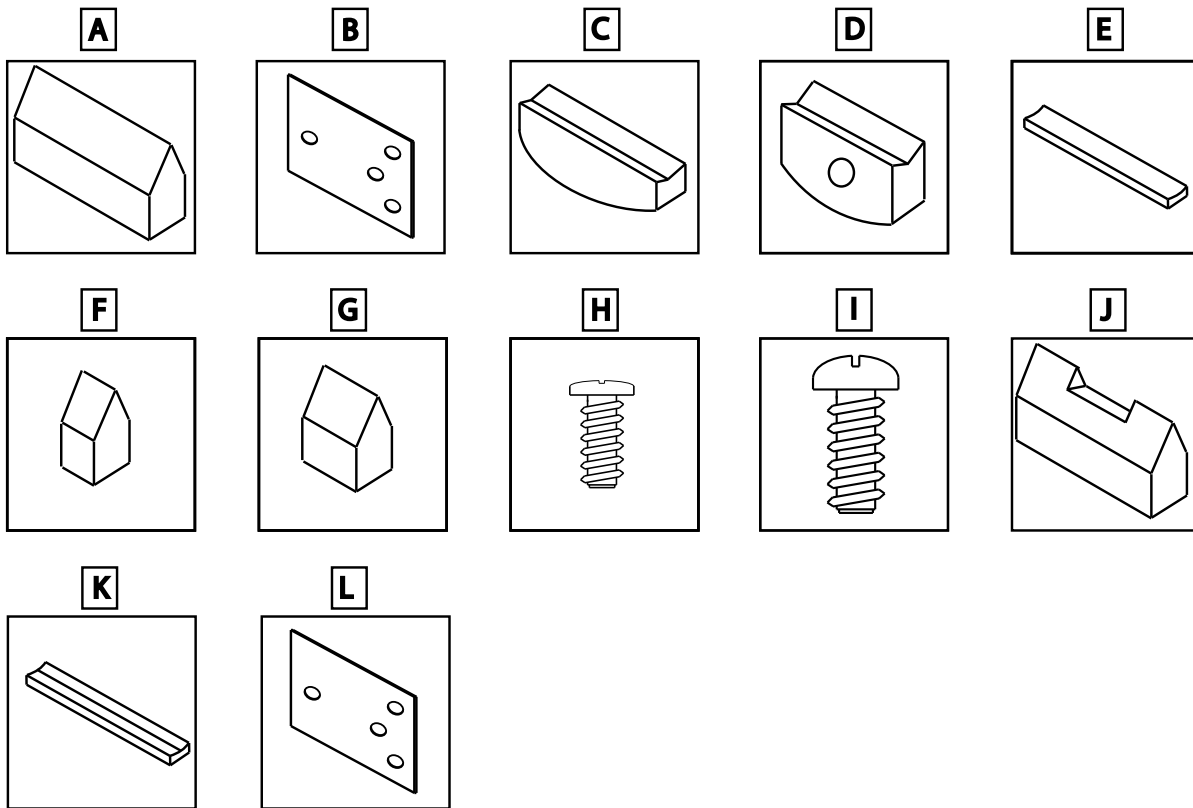
Part #

60399

Pivot and Bearing Kits - 60 Ton, 5 Section

Part #
96361 **Original part #**
86282

Item #	Qty	Part #	Original part #	Description
A	16	54465	SD 139 A	Pivot, 1/2" x 1" x 5 1/4", tapered
B	2	54520	TX 152	Anti-friction plate, 1/8" x 3/4" x 1 9/16"
C	20	54584	SD 183 J	Bearing, 1/2" x 1" x 3 5/16"
D	54	54585	SD 183 K	Bearing, 1/2" x 1" x 1 1/16", with 3/8" hole
E	16	54603	SD 194AM1	Bearing, 1" x 1/2" x 5 1/2", tapered
F	54	54710	SD 253	Pivot, 1/2" x 1" x 1", tapered
G	20	54721	SD 255 C	Pivot, 1/2" x 1" x 3 1/4", tapered one end
H	22	54652	212-MS	Screw, 10-24 x 3/8, Pan HD, slot, MS
I	12	54666	219-MS	Screw, 1/4-20 x 1/2, Round HD, slot, MS
J	1	59840	82498	Pivot, 1/2" x 1" x 5 1/4"
K	1	59841	82499	Bearing, 1" x 1/2" x 5 1/2", tapered
L	24	59851	83364	Anti-friction plate, 1/8" x 1 3/8" x 1 1/2"



Cast Lever System Selector

USE THIS KIT IF:

Main Lever

Assembly/Casting #

SD 8 L

Part #

60724

Main Lever Stand

Assembly/Casting #

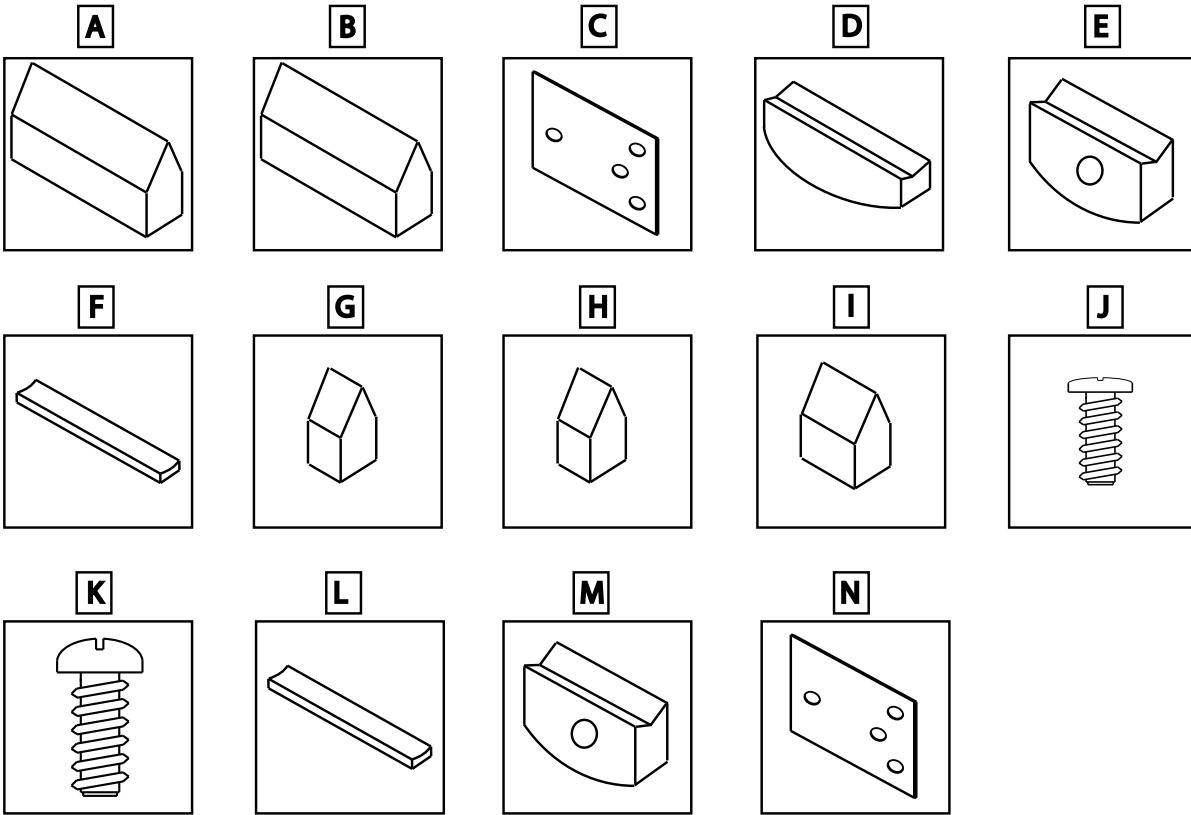
SD 19 E

Part #

N/A

Pivot and Bearing Kits - 60/75/80 Ton, 5 Section

	Part #	Original part #	Product #
	96362	86383	90963; 90965; 90966; 90982; 90984; 90985; 90987; 90988; 91513; 91514; 91516; 91517
Item #	Qty	Part #	Original part # Description
A	15	54464	SH 139 Pivot, 1/2" x 1" x 7", tapered
B	2	54465	SD 139 A Pivot, 1/2" x 1" x 5 1/4", tapered
C	2	54520	TX 152 Anti-friction plate, 1/8" x 3/4" x 1 9/16"
D	20	54581	SH 183 E Bearing, 1/2" x 1 1/4" x 3 15/16"
E	44	54585	SD 183 K Bearing, 1/2" x 1" x 1 1/16", with 3/8" hole
F	2	60266	86755 Bearing, 1" x 1/2" x 5 3/8", V Shape
G	44	54710	SD 253 Pivot, 1/2" x 1" x 1", tapered
H	10	54711	SH 253 Pivot, 1/2" x 1" x 1 1/2", tapered one end
I	20	54720	SH 255 A Pivot, 1/2" x 1" x 3 7/8", tapered one end
J	22	54652	212-MS Screw, 10-24 x 3/8, Pan HD, slot, MS
K	12	54666	219-MS Screw, 1/4-20 x 1/2, Round HD, slot, MS
L	15	60265	86754 Bearing, 1/2" x 1" x 7 1/8", tapered
M	10	59778	74057 Bearing, 1/2" x 1" x 1 9/16", with hole 3/8"
N	24	59851	83364 Anti-friction plate, 1/8" x 1 3/8" x 1 1/2"



Cast Lever System Selector

USE THIS KIT IF:

Main Lever

Assembly/Casting #

SH 8 M1
87210
87426

Part #

60363
60363
60363

Main Lever Stand

Assembly/Casting #

SH 19 B
86764

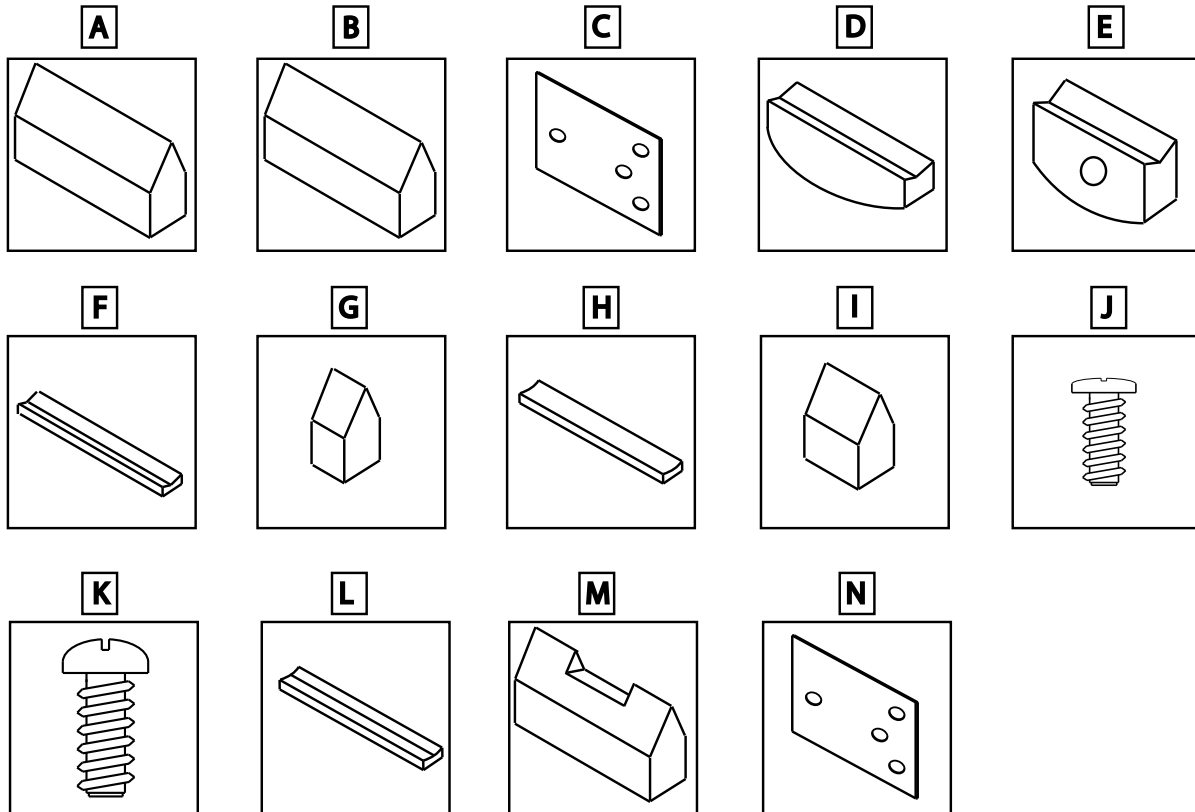
Part #

N/A
60400

Pivot and Bearing Kits - 60/75/80 Ton, 5 Section

Part # 76122	Original part # 86383	Product # 90963; 90965; 90966; 90982; 90984; 90985; 90987; 90988; 91513; 91514; 91516; 91517
------------------------	---------------------------------	---

Item #	Qty	Part #	Original part #	Description
A	10	54464	SH139	Pivot, 1/2" x 1" x 7", tapered
B	5	54465	SD 139 A	Pivot, 1/2" x 1" x 5 1/4", tapered
C	2	54520	TX 152	Anti-friction plate, 1/8" x 3/4" x 1 9/16"
D	20	54581	SH 183 E	Bearing, 1/2" x 1 1/4" x 3 15/16"
E	54	54585	SD 183 K	Bearing, 1/2" x 1" x 1 1/16", with 3/8" hole
F	1	60266	86694	1/2 x 1 x 5 3/8 bearing w/g
G	54	54710	SD 253	Pivot, 1/2" x 1" x 1", tapered
H	5	60247	86694	1/2 x 1 x 5-3/8 bearing
I	20	54720	SH 255 A	Pivot, 1/2" x 1" x 3 7/8", tapered one end
J	22	54652	212-MS	Screw, 10-24 x 3/8, Pan HD, slot, MS
K	12	54666	219-MS	Screw, 1/4-20 x 1/2, Round HD, slot, MS
L	10	60265	86754	Bearing, 1/2" x 1" x 7 1/8", tapered
M	1	59840	82498	Pivot, 1/2" x 1" x 5 1/4"
N	24	59851	83364	Anti-friction plate, 1/8" x 1 3/8" x 1 1/2"



Cast Lever System Selector

USE THIS KIT IF:

Main Lever

Assembly/Casting #

87426

Part #

60363

Main Lever Stand

Assembly/Casting #

86764

Part #

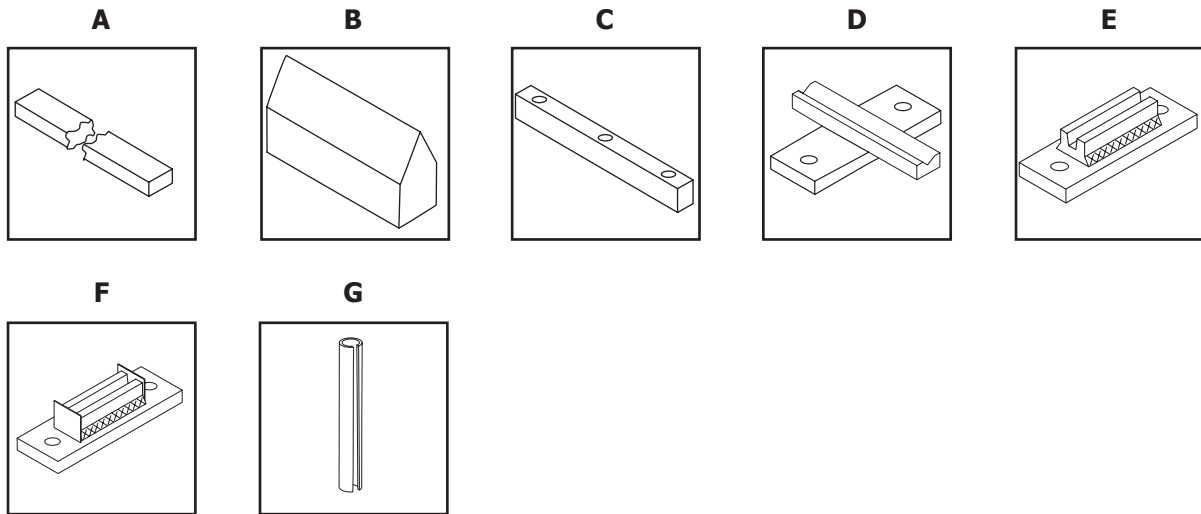
60400

Pivot and Bearing Kits (Fabricated) Model 14-4300, 30 Ton, 10 x 10, 2 Sec

Part #
94553

Original part #
PBK 4300

Item #	Qty	Part #	Original part #	Description
A	12	54105	40-011-600	Pivot, 1/2" Square x 6 1/2"
B	3	54736	WR-281	Pivot, 1/2" x 1 1/8" x 2 5/8"
C	10	54807	40-334-600	Bearing, 1" x 1" x 6 1/2", with 3 holes 1/4"
D	2	54109	45-014-600	Cross bearing strap
E	2	54110	45-015-600	Parallel bearing strap
F	1	54112	45-016-600	Parallel friction strap
G	20	54797	316-PI	Roll pin



Cast Lever System Selector

USE THIS KIT IF:

Main Lever

Assembly/Casting #

45-005-600

Part #

54067

Main Lever Stand

Assembly/Casting #

91152

Part #

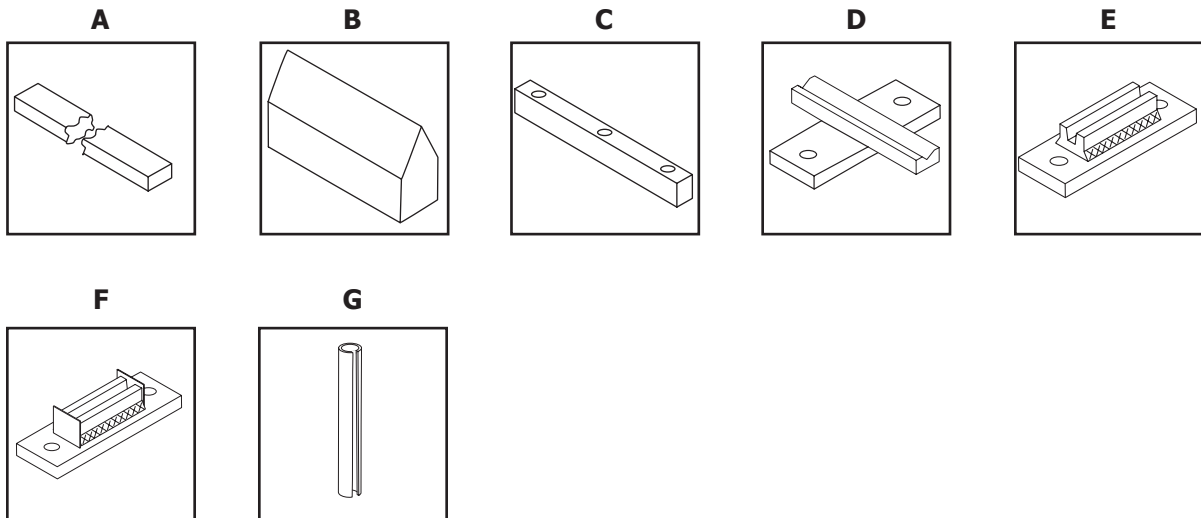
62025

Pivot and Bearing Kits (Fabricated) Model 14-4302, 30 Ton, 25 x 10, 2 Sec

Part #
94556

Original part #
PBK 4302

Item #	Qty	Part #	Original part #	Description
A	12	54105	40-011-600	Pivot, 1/2" Square x 6 1/2"
B	3	54736	WR-281	Pivot, 1/2" x 1 1/8" x 2 5/8"
C	10	54807	40-334-600	Bearing, 1" x 1" x 6 1/2", with 3 holes 1/4"
D	2	54109	45-014-600	Cross bearing strap
E	2	54110	45-015-600	Parallel bearing strap
F	1	54112	45-016-600	Parallel friction strap
G	20	54797	316-PI	Roll pin



Cast Lever System Selector

USE THIS KIT IF:

Main Lever

Assembly/Casting #

45-005-600

Part #

54067

Main Lever Stand

Assembly/Casting #

91152

Part #

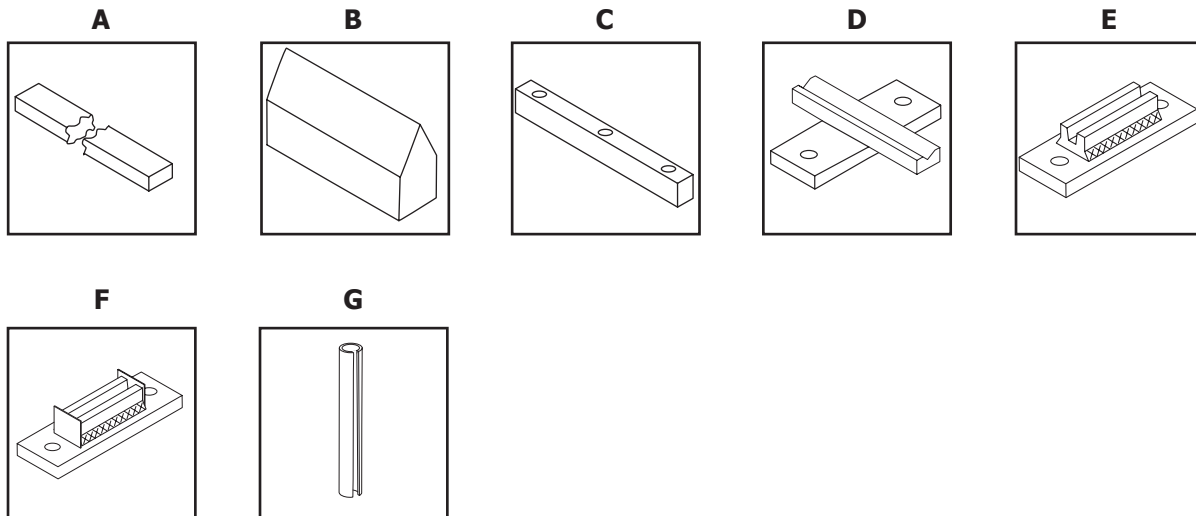
62025

Pivot and Bearing Kits (Fabricated) Model 14-4303, 50 Ton, 40 x 10, 3 Sec

Part #
94559

Original part #
PBK 4303

Item #	Qty	Part #	Original part #	Description
A	18	54105	40-011-600	Pivot, 1/2" Square x 6 1/2"
B	4	54736	WR-281	Pivot, 1/2" x 1 1/8" x 2 5/8"
C	15	54807	40-334-600	Bearing, 1" x 1" x 6 1/2", with 3 holes 1/4"
D	3	54109	45-014-600	Cross bearing strap
E	3	54110	45-015-600	Parallel bearing strap
F	1	54112	45-016-600	Parallel friction strap
G	30	54797	316-PI	Roll pin



Cast Lever System Selector

USE THIS KIT IF:

Main Lever

Assembly/Casting #

45-005-600

Part #

54067

Main Lever Stand

Assembly/Casting #

91152

Part #

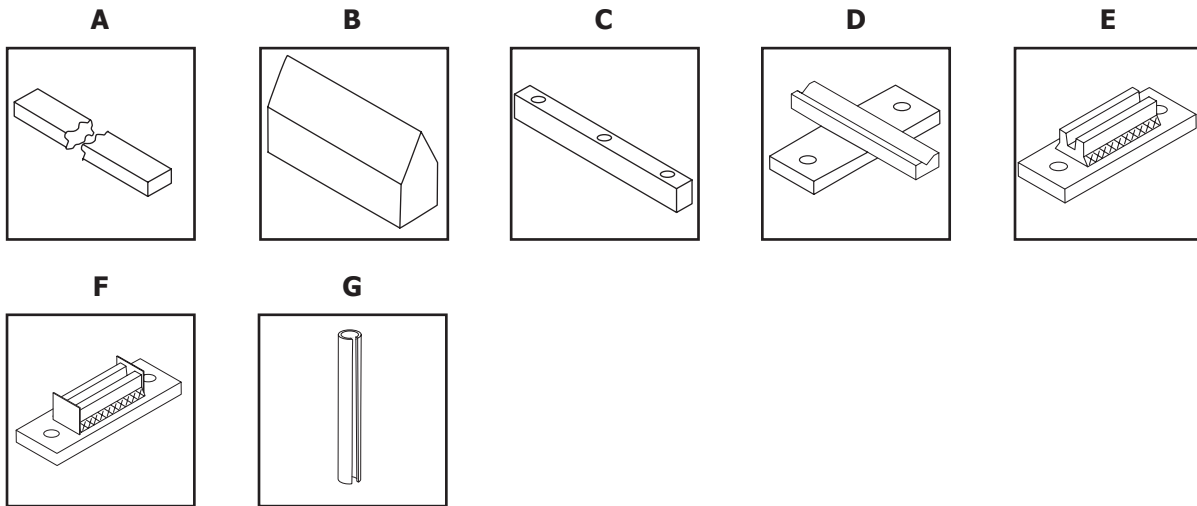
62030

Pivot and Bearing Kits (Fabricated) Model 14-4311, 50 Ton, 50 x 10, 4 Sec

Part #
94577

Original part #
PBK 4311

Item #	Qty	Part #	Original part #	Description
A	24	54105	40-011-600	Pivot, 1/2" Square x 6 1/2"
B	5	54736	WR-281	Pivot, 1/2" x 1 1/8" x 2 5/8"
C	20	54807	40-334-600	Bearing, 1" x 1" x 6 1/2", with 3 holes 1/4"
D	4	54109	45-014-600	Cross bearing strap
E	4	54110	45-015-600	Parallel bearing strap
F	1	54112	45-016-600	Parallel friction strap
G	40	54797	316-PI	Roll pin



Cast Lever System Selector

USE THIS KIT IF:

Main Lever

Assembly/Casting #

45-005-600

Part #

54067

Main Lever Stand

Assembly/Casting #

91152

Part #

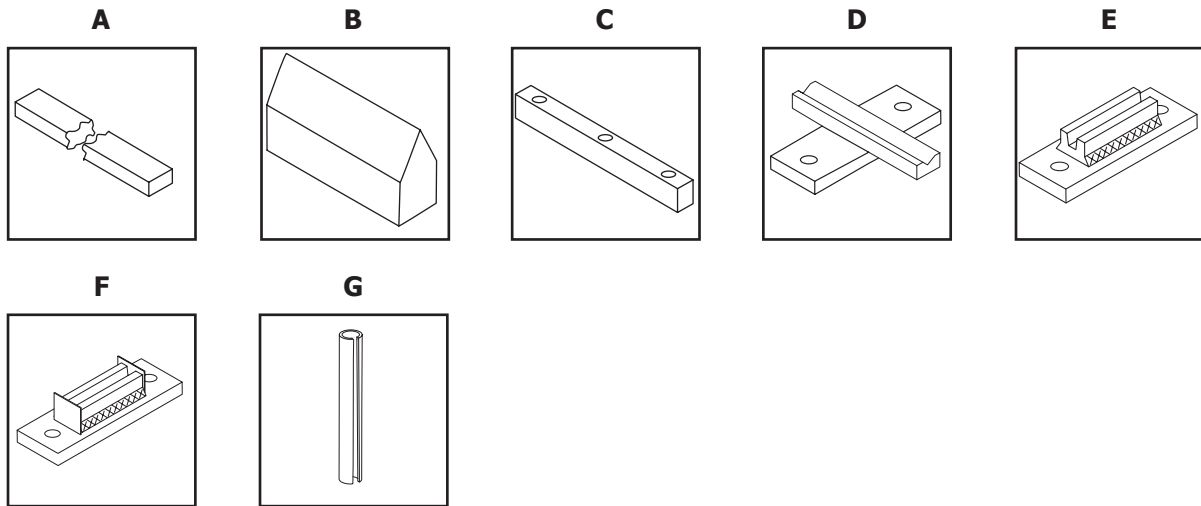
62030

Pivot and Bearing Kits (Fabricated) Model 14-4304, 56 Ton, 70 x 10, 5 Sec

Part #
94562

Original part #
PBK 4304

Item #	Qty	Part #	Original part #	Description
A	30	54105	40-011-600	Pivot, 1/2" Square x 6 1/2"
B	6	54736	WR-281	Pivot, 1/2" x 1 1/8" x 2 5/8"
C	25	54807	40-334-600	Bearing, 1" x 1" x 6 1/2", with 3 holes 1/4"
D	5	54109	45-014-600	Cross bearing strap
E	5	54110	45-015-600	Parallel bearing strap
F	1	54112	45-016-600	Parallel friction strap
G	50	54797	316-PI	Roll pin



Cast Lever System Selector

USE THIS KIT IF:

Main Lever

Assembly/Casting #

45-005-600

Part #

54067

Main Lever Stand

Assembly/Casting #

91152

Part #

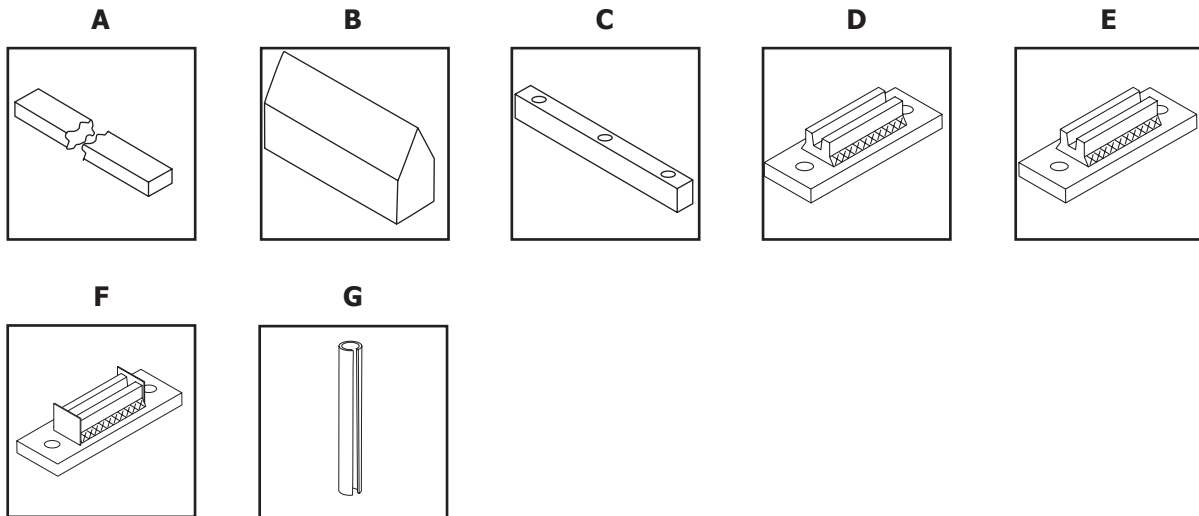
62030

Pivot and Bearing Kits (Fabricated) Model 14-4306, 60 Ton, 60 x 10, 4 Sec

Part #
94564

Original part #
PBK 4306

Item #	Qty	Part #	Original part #	Description
A	24	54105	40-011-600	Pivot, 1/2" Square x 6 1/2"
B	5	54736	WR-281	Pivot, 1/2" x 1 1/8" x 2 5/8"
C	20	54807	40-334-600	Bearing, 1" x 1" x 6 1/2", with 3 holes 1/4"
D	4	54110	45-015-600	Parallel bearing strap
E	4	54109	45-014-600	Cross bearing strap
F	1	54112	45-016-600	Parallel friction strap
G	40	54797	316-PI	Roll pin



Cast Lever System Selector

USE THIS KIT IF:

Main Lever

Assembly/Casting #

45-005-600

Part #

54067

Main Lever Stand

Assembly/Casting #

91152

Part #

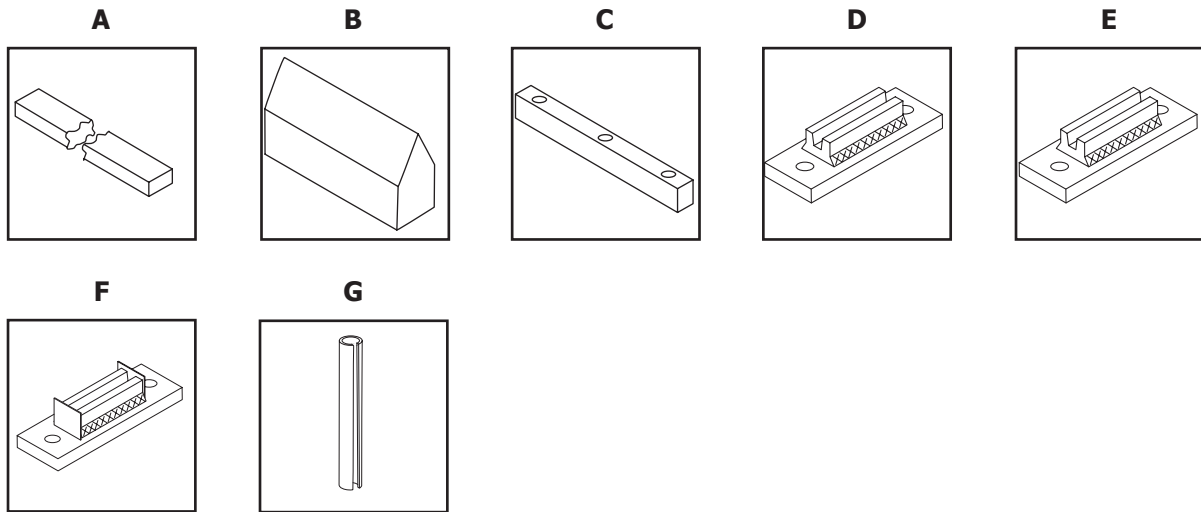
62030

Pivot and Bearing Kits (Fabricated) Model 14-4307, 60 Ton, 80 x 10, 5 Sec

Part #
94567

Original part #
PBK 4307

Item #	Qty	Part #	Original part #	Description
A	30	54105	40-011-600	Pivot, 1/2" Square x 6 1/2"
B	6	54736	WR-281	Pivot, 1/2" x 1 1/8" x 2 5/8"
C	25	54807	40-334-600	Bearing, 1" x 1" x 6 1/2", with 3 holes 1/4"
D	5	54110	45-015-600	Parallel bearing strap
E	5	54109	45-014-600	Cross bearing strap
F	1	54112	45-016-600	Parallel friction strap
G	50	54797	316-PI	Roll pin



Cast Lever System Selector

USE THIS KIT IF:

Main Lever

Assembly/Casting #

45-005-600

Part #

54067

Main Lever Stand

Assembly/Casting #

91152

Part #

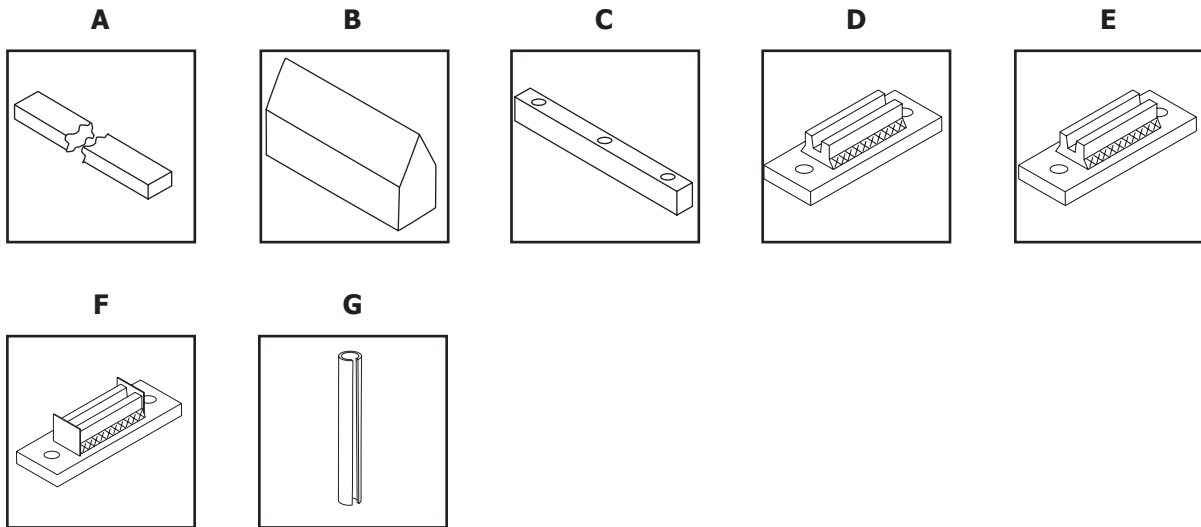
62030

Pivot and Bearing Kits (Fabricated) Model 14-4308, 60 Ton, 90 x 10, 6 Sec

Part #
94570

Original part #
PBK 4308

Item #	Qty	Part #	Original part #	Description
A	36	54105	40-011-600	Pivot, 1/2" Square x 6 1/2"
B	7	54736	WR-281	Pivot, 1/2" x 1 1/8" x 2 5/8"
C	30	54807	40-334-600	Bearing, 1" x 1" x 6 1/2", with 3 holes 1/4"
D	6	54110	45-015-600	Parallel bearing strap
E	6	54109	45-014-600	Cross bearing strap
F	1	54112	45-016-600	Parallel friction strap
G	60	54797	316-PI	Roll pin



Cast Lever System Selector

USE THIS KIT IF:

Main Lever

Assembly/Casting #

45-005-600

Part #

54067

Main Lever Stand

Assembly/Casting #

91152

Part #

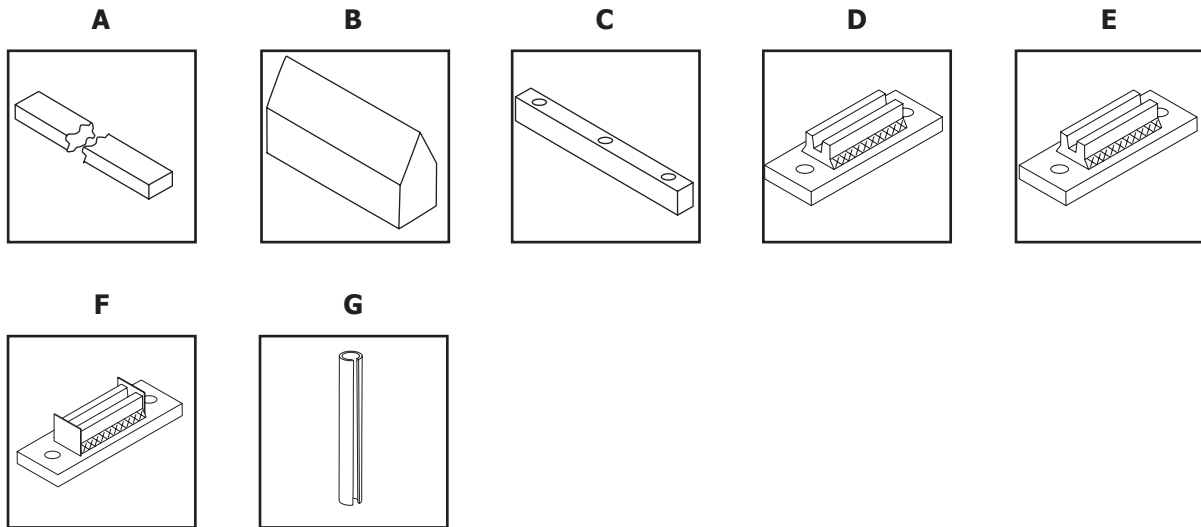
62030

Pivot and Bearing Kits (Fabricated) Model 14-4309, 75 Ton, 100 x 10, 7 Sec

Part #
94574

Original part #
PBK 4309

Item #	Qty	Part #	Original part #	Description
A	42	54105	40-011-600	Pivot, 1/2" Square x 6 1/2"
B	8	54736	WR-281	Pivot, 1/2" x 1 1/8" x 2 5/8"
C	35	54807	40-334-600	Bearing, 1" x 1" x 6 1/2", with 3 holes 1/4"
D	7	54110	45-015-600	Parallel bearing strap
E	7	54109	45-014-600	Cross bearing strap
F	1	54112	45-016-600	Parallel friction strap
G	70	54797	316-PI	Roll pin



Cast Lever System Selector

USE THIS KIT IF:

Main Lever

Assembly/Casting #

45-005-600

Part #

54067

Main Lever Stand

Assembly/Casting #

91152

Part #

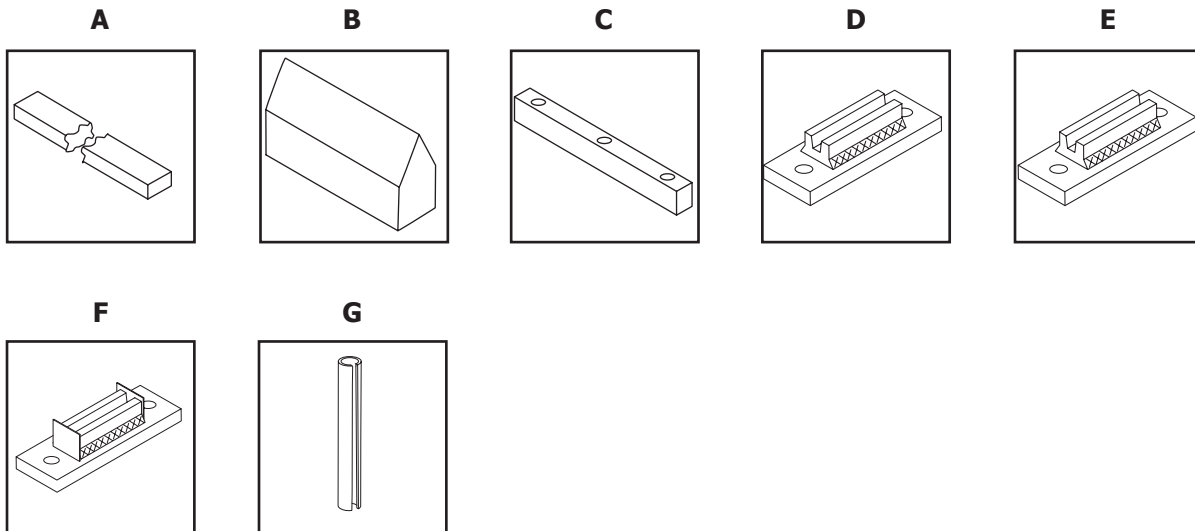
62030

Pivot and Bearing Kits (Fabricated) Model 14-4312, 75 Ton, 120 x 10, 8 Sec

Part #
94580

Original part #
PBK 4312

Item #	Qty	Part #	Original part #	Description
A	48	54105	40-011-600	Pivot, 1/2" Square x 6 1/2"
B	9	54736	WR-281	Pivot, 1/2" x 1 1/8" x 2 5/8"
C	40	54807	40-334-600	Bearing, 1" x 1" x 6 1/2", with 3 holes 1/4"
D	8	54110	45-015-600	Parallel bearing strap
E	8	54109	45-014-600	Cross bearing strap
F	1	54112	45-016-600	Parallel friction strap
G	80	54797	316-PI	Roll pin



Cast Lever System Selector

USE THIS KIT IF:

Main Lever

Assembly/Casting #

45-005-600

Part #

54067

Main Lever Stand

Assembly/Casting #

91152

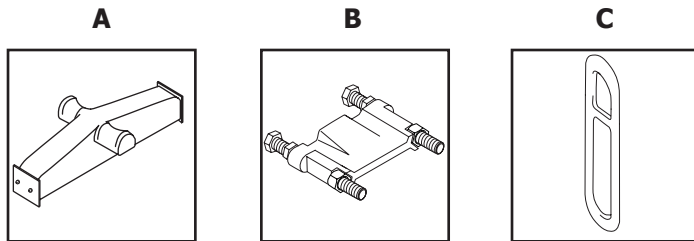
Part #

62030

Suspension Parts Kits - 10 Ton, 2 Section

Part # 60071	Original part # 85333
------------------------	---------------------------------

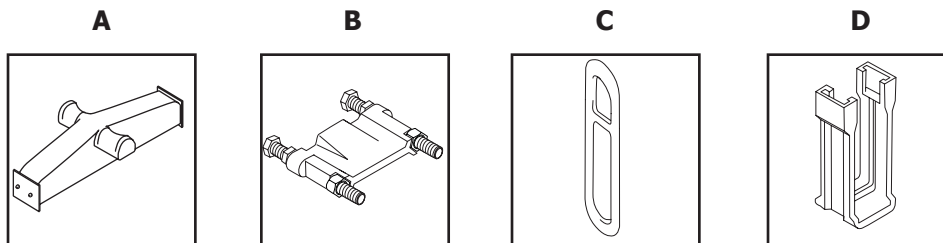
Item #	Qty	Part #	Original part #	Description
A	4	60368	87215	Saddle block
B	4	60377	87225	Trunnion block
C	8	60393	87240	Link



Conversion for 10 Ton, 2 Section

Part # 94018	Original part # PLK 10
------------------------	----------------------------------

Item #	Qty	Part #	Original part #	Description
A	4	60368	87215	Saddle block
B	4	60377	87225	Trunnion block
C	8	60393	87240	Link
D	4	60384	87233	Girder chair



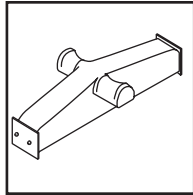
Suspension Parts Kits - 20 Ton, 2 Section

Part #
60074

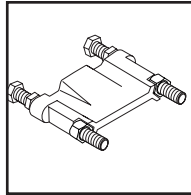
Original part #
85336

Item #	Qty	Part #	Original part #	Description
A	4	60371	87218	Saddle block
B	4	60880	80267	Trunnion block
C	8	60395	87242	Link

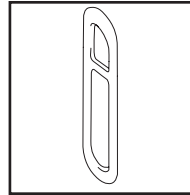
A



B



C



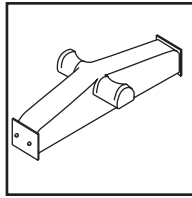
Suspension Parts Kits - Conversion for 20 Ton, 2 Section

Part #
98538

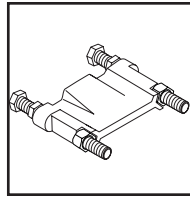
Original part #
PLK 20-A

Item #	Qty	Part #	Original part #	Description
A	4	60371	87218	Saddle block
B	4	60379	87227	Trunnion block
C	8	60395	87242	Link
D	4	60386	87235	Girder chair

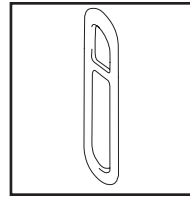
A



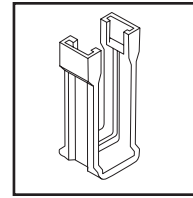
B



C



D



Suspension Parts Kits - 30 Ton, 2 Section

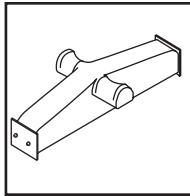
Part #
60076

Original part #
85338

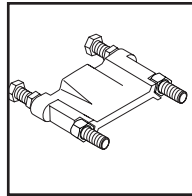
Product #
90953; 90954; 90955
90972; 90973; 90974

Item #	Qty	Part #	Original part #	Description
A	4	60372	87219	Saddle block
B	4	60866	80270	Trunnion block
C	8	60396	87243	Link

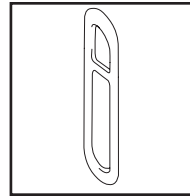
A



B



C



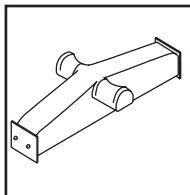
Conversion for 30 Ton, 2 Section

Part #
94046

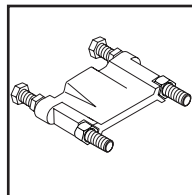
Original part #
PLK 30

Item #	Qty	Part #	Original part #	Description
A	4	60372	87219	Saddle block
B	4	60380	87228	Trunnion block
C	8	60396	87243	Link
D	4	60387	87236	Girder chair

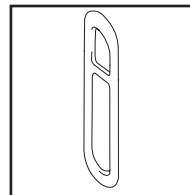
A



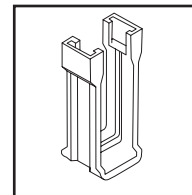
B



C



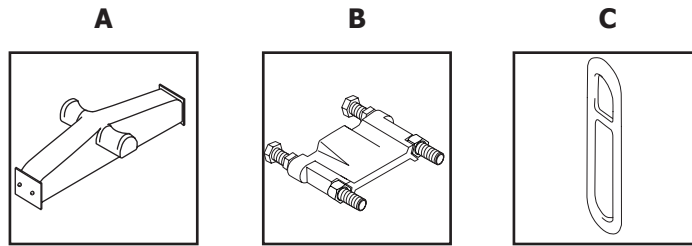
D



Suspension Parts Kits - 40 Ton, 2 Section

Part # 60077	Original part # 85339
------------------------	---------------------------------

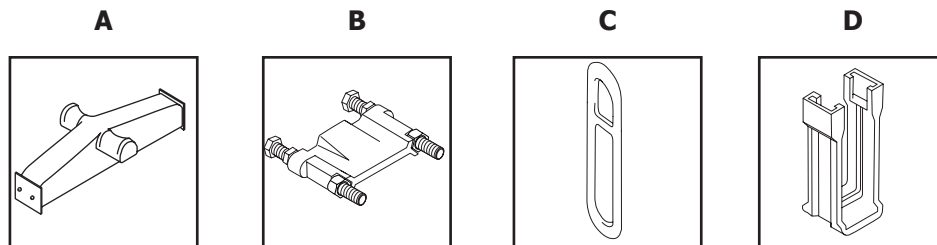
Item #	Qty	Part #	Original part #	Description
A	4	60373	87220	Saddle block
B	4	60866	80270	Trunnion block
C	8	60396	87243	Link



Conversion for 40 Ton, 2 Section

Part # 94064	Original part # PLK 40
------------------------	----------------------------------

Item #	Qty	Part #	Original part #	Description
A	4	60373	87220	Saddle block
B	4	60380	80270	Trunnion block
C	8	60396	87243	Link
D	4	60770	82301	Girder chair



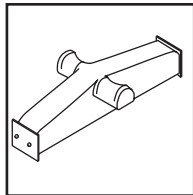
Suspension Parts Kits - 50 Ton, 4 Section

Part #
60079

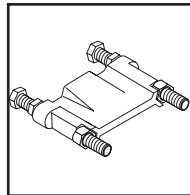
Original part #
85341

Item #	Qty	Part #	Original part #	Description
A	8	60371	87218	Saddle block
B	8	60880	80267	Trunnion block
C	16	60395	87242	Link

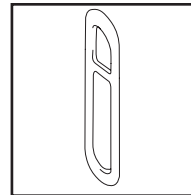
A



B



C



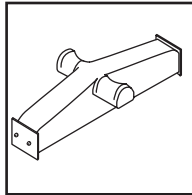
Suspension Parts Kits - Conversion for 50 Ton, 4 Section

Part #
94084

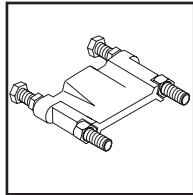
Original part #
PLK 50 A

Item #	Qty	Part #	Original part #	Description
A	8	60371	87218	Saddle block
B	8	60379	80267	Trunnion block
C	8	60386	80266	Girder chair
D	16	60395	87242	Link

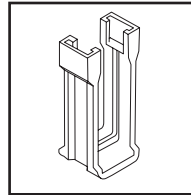
A



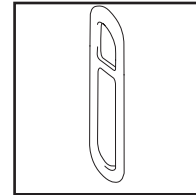
B



C



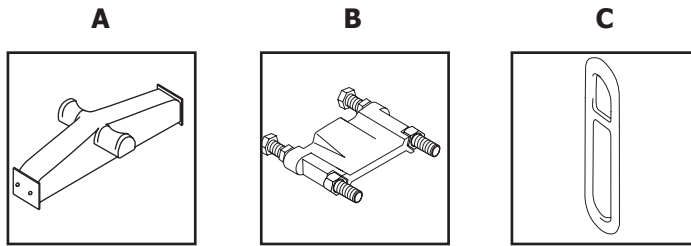
D



Suspension Parts Kits - 50/60 ton, 4 Section

Part # 60198	Original part # 86420	Product # 90956; 90957; 90958 90959; 90960
------------------------	---------------------------------	---

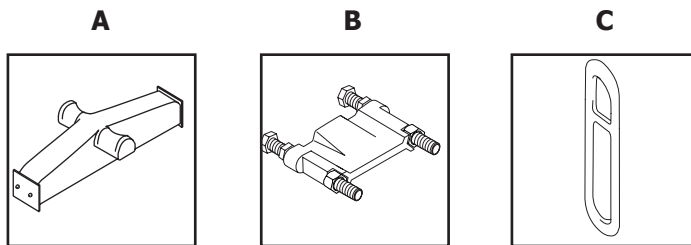
Item #	Qty	Part #	Original part #	Description
A	8	60372	87219	Saddle block
B	8	60380	87228	Trunnion block
C	16	60396	87243	Link



78/80/100 Ton, 4 Section

Part # 60195	Original part # 86418	Product # 90961; 90962; 90964 90983; 91512; 91515
------------------------	---------------------------------	--

Item #	Qty	Part #	Original part #	Description
A	8	60373	87220	Saddle block
B	8	60866	80270	Trunnion block
C	16	60396	87243	Link



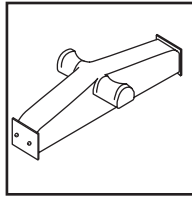
Suspension Parts Kits - 50 Ton, 5 Section

Part #
60199

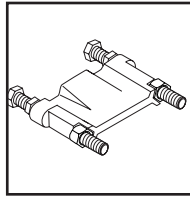
Original part #
86421

Item #	Qty	Part #	Original part #	Description
A	10	60372	87219	Saddle block
B	10	60866	80270	Trunnion block
C	20	60396	87243	Link

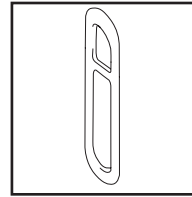
A



B



C



Suspension Parts Kits - 120 Ton, 4 Section

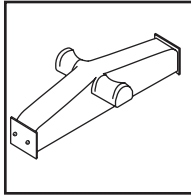
Part #
76951

Original part #
N/A

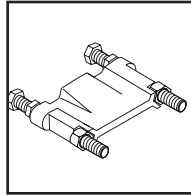
Product #
90967; 90968;

Item #	Qty	Part #	Original part #	Description
A	8	60747	87388	Saddle block
B	8	60746	87386	Trunnion block
C	16	60745	87389	Link

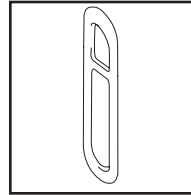
A



B

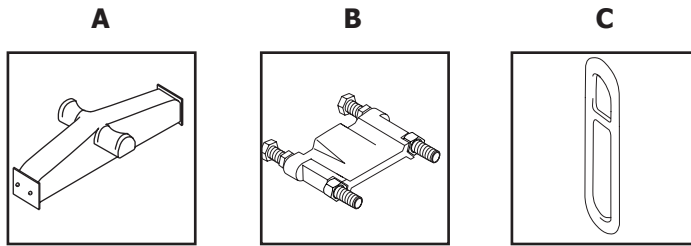


C



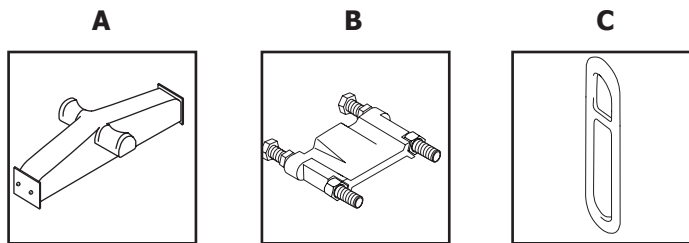
Suspension Parts Kits - 60/80/100 Ton, 5 Section

		Part #	Original part #	Product #
		60196	86419	90963; 90965; 90966 90982; 90984; 90985 90987; 90988; 91513 91514; 91516; 91517
Item #	Qty	Part #	Original part #	Description
A	10	60373	87220	Saddle block
B	10	60866	80270	Trunnion block
C	20	60396	87243	Link



Suspension Parts Kits - 120 Ton, 5 Section

		Part #	Original part #	Product #
		79496	N/A	90969; 90970;
Item #	Qty	Part #	Original part #	Description
A	10	60747	87388	Saddle block
B	10	60746	87386	Trunnion block
C	20	60745	87389	Link

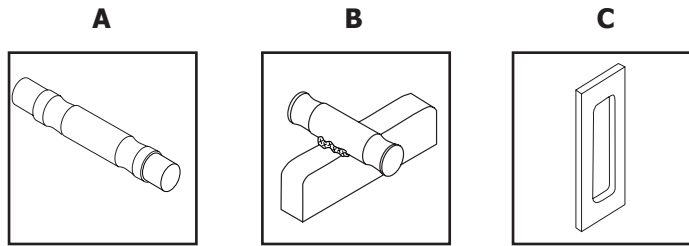


Suspension Parts Kits - 14-4300, 30 Ton, 10 x 10, 2 Sec

Part #
94554

Original part #
PLK 4300

Item #	Qty	Part #	Original part #	Description
A	6	54149	40-032-600	Lower Bearing Pin
B	6	54107	45-013-600	Upper Bearing Block
C	12	54106	45-012-600	Link

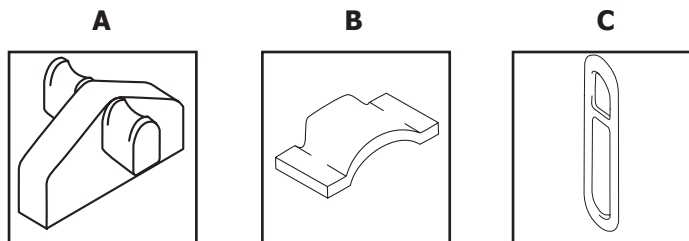


Model 14-4300, 30 Ton, 10 x 10, 2 Sec (with cast suspension)

Part #
94555

Original part #
PLK 4300CST

Item #	Qty	Part #	Original part #	Description
A	4	62003	91092	Saddle block
B	4	60382	87230	Trunnion block
C	8	60396	87243	Link

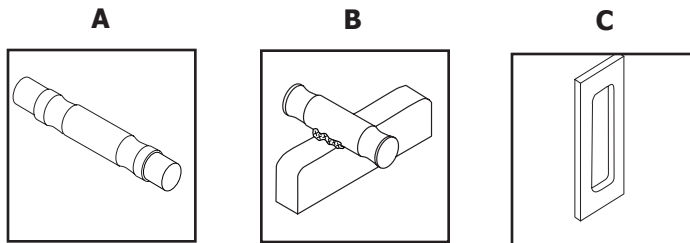


Suspension Parts Kits - Model 14-4302, 30 Ton, 25 x 10, 2 Sec

Part #
94557

Original part #
PLK 4302

Item #	Qty	Part #	Original part #	Description
A	4	54149	40-032-600	Lower Bearing Pin
B	4	54107	45-013-600	Upper Bearing Block
C	8	54106	45-012-600	Link

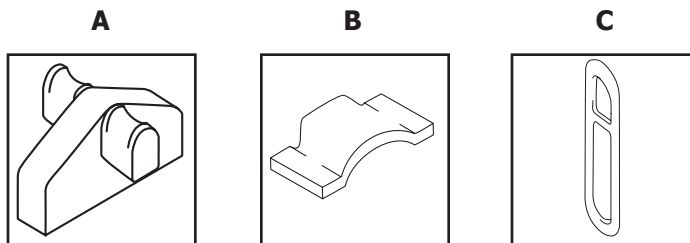


Model 14-4302, 30 Ton, 25 x 10, 2 Sec (with cast suspension)

Part #
75167

Original part #
PLK 4302CST

Item #	Qty	Part #	Original part #	Description
A	4	62003	91092	Saddle block
B	4	60382	87230	Trunnion block
C	8	60396	87243	Link

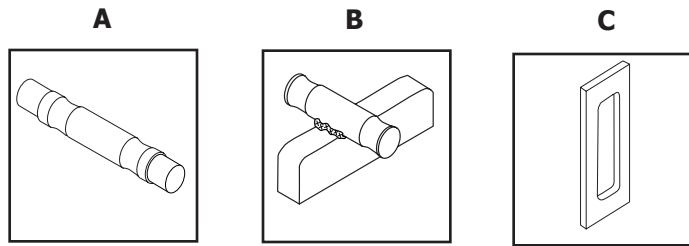


Suspension Parts Kits - 14-4303, 50 Ton, 40 x 10, 3 Sec

Part #
94560

Original part #
PLK 4303

Item #	Qty	Part #	Original part #	Description
A	6	54149	40-032-600	Lower Bearing Pin
B	6	54107	45-013-600	Upper Bearing Block
C	12	54106	45-012-600	Link

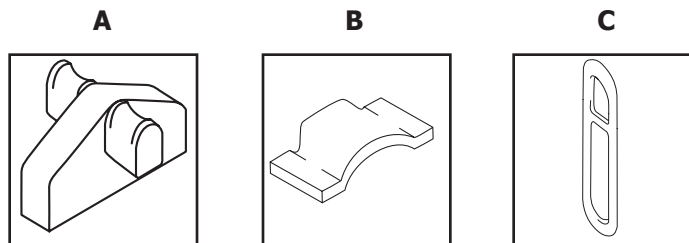


Model 14-4303, 50 Ton, 40 x 10, 3 Sec (with cast suspension)

Part #
94561

Original part #
PLK 4303CST

Item #	Qty	Part #	Original part #	Description
A	6	62003	91092	Saddle block
B	6	60382	87230	Trunnion block
C	12	60396	87243	Link

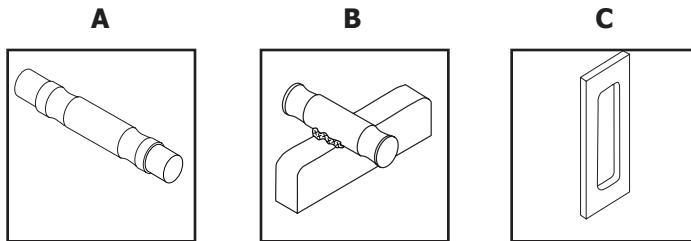


Suspension Parts Kits - Model 14-4311, 50 Ton, 50 x 10, 4 Sec

Part #
94578

Original part #
PLK 4311

Item #	Qty	Part #	Original part #	Description
A	8	54149	40-032-600	Lower Bearing Pin
B	8	54107	45-013-600	Upper Bearing Block
C	16	54106	45-012-600	Link

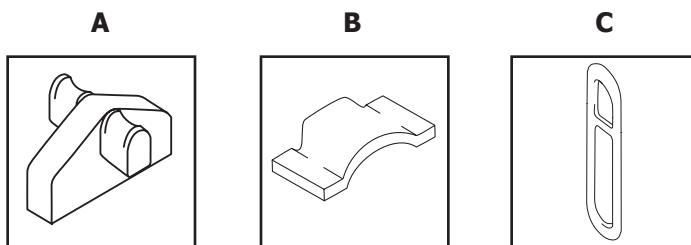


Model 14-4311, 50 Ton, 50 x 10, 4 Sec (with cast suspension)

Part #
94579

Original part #
PLK 4311CST

Item #	Qty	Part #	Original part #	Description
A	8	62003	91092	Saddle block
B	8	60382	87230	Trunnion block
C	16	60396	87243	Link

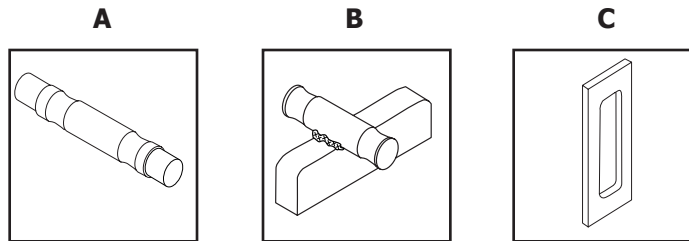


Suspension Parts Kits - 14-4306, 60 Ton, 60 x 10, 4 Sec

Part #
94565

Original part #
PLK 4306

Item #	Qty	Part #	Original part #	Description
A	8	54149	40-032-600	Lower Bearing Pin
B	8	54107	45-013-600	Upper Bearing Block
C	16	54106	45-012-600	Link

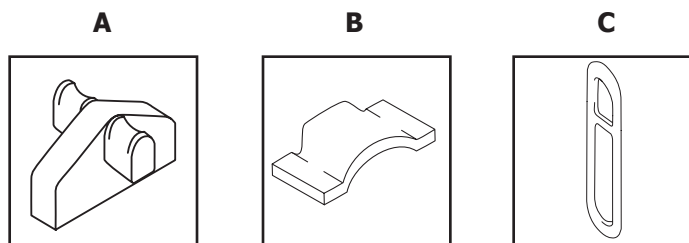


Model 14-4306, 60 Ton, 60 x 10, 4 Sec (with cast suspension)

Part #
94566

Original part #
PLK 4306CST

Item #	Qty	Part #	Original part #	Description
A	8	62003	91092	Saddle block
B	8	60382	87230	Trunnion block
C	16	60396	87243	Link

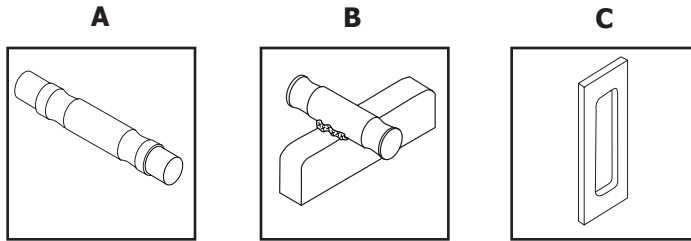


Suspension Parts Kits - Model 14-4304, 60 Ton, 70 x 10, 5 Sec

Part #
56068

Original part #
PLK 4304

Item #	Qty	Part #	Original part #	Description
A	10	54149	40-032-600	Lower Bearing Pin
B	10	54107	45-013-600	Upper Bearing Block
C	20	54106	45-012-600	Link

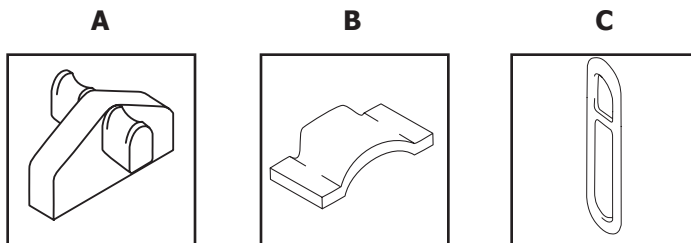


Model 14-4304, 60 Ton, 70 x 10, 5 Sec (with cast suspension)

Part #
94563

Original part #
PLK 4304CST

Item #	Qty	Part #	Original part #	Description
A	10	62003	91092	Saddle block
B	10	60382	87230	Trunnion block
C	20	60396	87243	Link

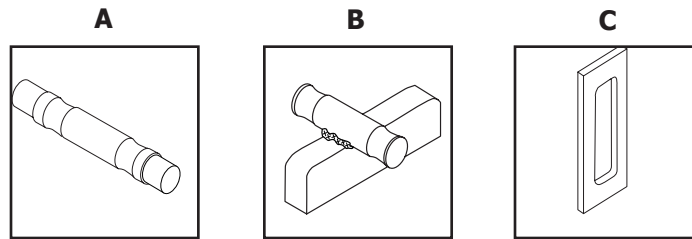


Suspension Parts Kits - 14-4307, 60 Ton, 80 x 10, 5 Sec

Part #
94568

Original part #
PLK 4307

Item #	Qty	Part #	Ref #	Description
A	10	54149	40-032-600	Lower Bearing Pin
B	10	54107	45-013-600	Upper Bearing Block
C	20	54106	45-012-600	Link

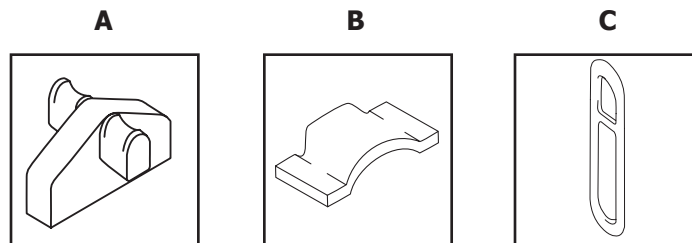


Model 14-4307, 60 Ton, 80 x 10, 5 Sec (with cast suspension)

Part #
94569

Original part #
PLK 4307CST

Item #	Qty	Part #	Ref #	Description
A	10	62003	91092	Saddle block
B	10	60382	87230	Trunnion block
C	20	60396	87243	Link

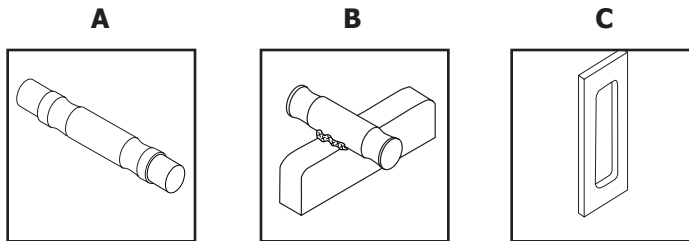


Suspension Parts Kits - Model 14-4308, 60 Ton, 90 x 10, 6 Sec

Part #
94571

Original part #
PLK 4308

Item #	Qty	Part #	Ref #	Description
A	12	54149	40-032-600	Lower Bearing Pin
B	12	54107	45-013-600	Upper Bearing Block
C	24	54106	45-012-600	Link

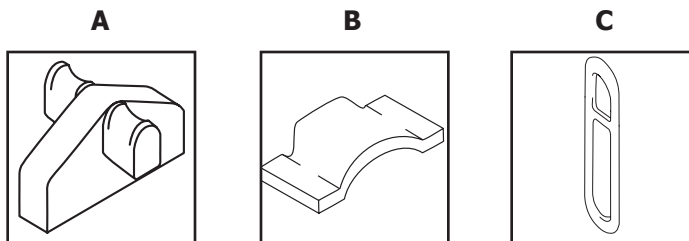


Model 14-4308, 60 Ton, 90 x 10, 6 Sec (with cast suspension)

Part #
94573

Original part #
PLK 4308CST

Item #	Qty	Part #	Ref #	Description
A	12	62003	91092	Saddle block
B	12	60382	87230	Trunnion block
C	24	60396	87243	Link

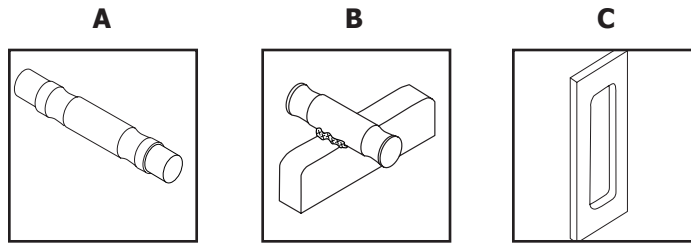


Suspension Parts Kits - 14-4309, 75 Ton, 100 x 10, 7 Sec

Part #
94575

Original part #
PLK 4309

Item #	Qty	Part #	Ref #	Description
A	14	54149	40-032-600	Lower Bearing Pin
B	14	54107	45-013-600	Upper Bearing Block
C	28	54106	45-012-600	Link

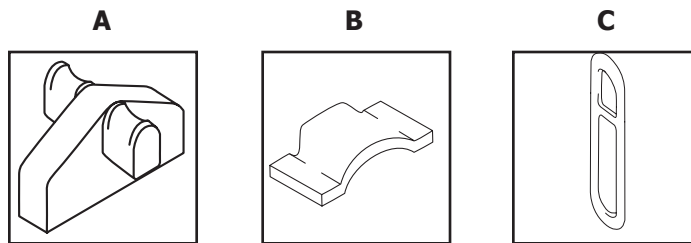


Model 14-4309, 75 Ton, 100 x 10, 7 Sec (with cast suspension)

Part #
94576

Original part #
PLK 4309CST

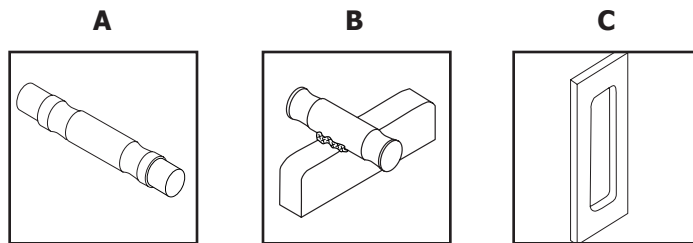
Item #	Qty	Part #	Ref #	Description
A	14	62003	91092	Saddle block
B	14	60382	87230	Trunnion block
C	28	60396	87243	Link



Suspension Parts Kits - Model 14-4312, 75 Ton, 120 x 10, 8 Sec

Part # 94581	Original part # PLK 4312
------------------------	------------------------------------

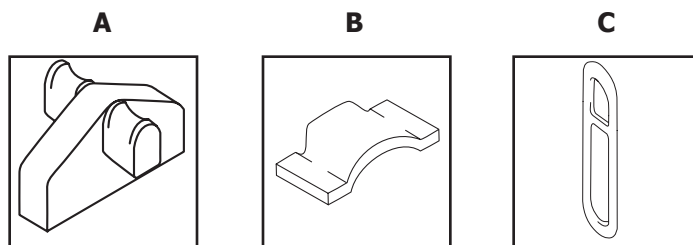
Item #	Qty	Part #	Ref #	Description
A	16	54149	40-032-600	Lower Bearing Pin
B	16	54107	45-013-600	Upper Bearing Block
C	32	54106	45-012-600	Link



Model 14-4312, 75 Ton, 120 x 10, 8 Sec (with cast suspension)

Part # 94582	Original part # PLK 4312CST
------------------------	---------------------------------------

Item #	Qty	Part #	Ref #	Description
A	16	62003	91092	Saddle block
B	16	60382	87230	Trunnion block
C	32	60396	87243	Link



Fairbanks Scales

This page intentionally left blank.