



PARTS

Catalog

TEST WEIGHTS & TOOLS

***ALL PRICING IN
NEXUS
PARTS BY NUMBER
SECTION***

Test Weights — Statement of Accuracy

Item No.	Description	Wholesale
----------	-------------	-----------

Individual Avoirdupois Stainless Steel Cylindrical Test Weights (Class F) with Statement of Accuracy

**ALL PRICING IN PARTS
BY NUMBER SECTION**

- | | |
|--------|--|
| 154508 | 8 oz Cylindrical stainless steel test weight |
| 154500 | 1 lb Cylindrical stainless steel test weight |
| 154502 | 2 lb Cylindrical stainless steel test weight |



Individual Avoirdupois Cast Iron, Grip Handle Test Weights (Class F) with Statement of Accuracy

- | | |
|--------|---|
| 154605 | 5 lb Cast Iron grip handle test weight |
| 154610 | 10 lb Cast Iron grip handle test weight |
| 154620 | 20 lb Cast Iron grip handle test weight |
| 154625 | 25 lb Cast Iron grip handle test weight |



Individual Metric Cast Iron, Grip Handle Test Weights (Class F) with Statement of Accuracy

- | | |
|--------|---|
| 154402 | 2 kg Cast Iron grip handle test weight |
| 154405 | 5 kg Cast Iron grip handle test weight |
| 154410 | 10 kg Cast Iron grip handle test weight |
| 154420 | 20 kg Cast Iron grip handle test weight |
| 154425 | 25 kg Cast Iron grip handle test weight |



Item No.	Description
----------	-------------

Stainless Steel Cylindrical Test Weight Set — Includes case (Class F) with Statement of Accuracy

- | | |
|--------|--|
| 154860 | Test Weight Set: 500 g — 1 mg, weights included:
• 1 - 500 g • 2 - 200 g • 1 - 100 g • 1 - 50 g
• 2 - 20 g • 1 - 10 g • 1 - 5 g • 2 - 2 g
• 1 - 1 g • 1 - 500 mg • 2 - 200 mg • 1 - 100 mg
• 1 - 50 mg • 2 - 20 mg • 1 - 10 mg • 5 - 5 mg
• 2 - 2 mg • 1 - 1 mg |
| 154850 | Test Weight Set: 5 lb — 0.001 lb, weights included:
• 5 - 5 lb • 5 - 1 lb • 1 - 0.5 lb • 2 - 0.2 lb
• 1 - 0.1 lb • 1 - 0.05 lb • 2 - 0.02 lb • 1 - 0.01 lb
• 1 - 0.005 lb • 2 - 0.002 lb • 1 - 0.001 lb |
| 154855 | Test Weight Set: 2 kg — 1 g, weights included:
• 5 - 2 kg • 5 - 500 g • 2 - 200 g • 1 - 100 g
• 1 - 50 g • 2 - 20 g • 1 - 10 g • 1 - 5 g
• 2 - 2 g • 1 - 1 g |



• Statement of Accuracy

- ◇ Meets specific class and type.
Weights must be certified by local Weights and Measures office before using to test devices in a legal-for-trade application.

Test Weights — Traceable Certificate

Item No.	Description	Wholesale
----------	-------------	-----------

Individual Avoirdupois Stainless Steel Cylindrical Test Weights (Class F) with Traceable Certificate

**ALL PRICING IN PARTS
BY NUMBER SECTION**

154509	8 oz Cylindrical stainless steel test weight
154501	1 lb Cylindrical stainless steel test weight
154503	2 lb Cylindrical stainless steel test weight



Individual Avoirdupois Cast Iron, Grip Handle Test Weights (Class F) with Traceable Certificate

154606	5 lb Cast Iron grip handle test weight
154611	10 lb Cast Iron grip handle test weight
154621	20 lb Cast Iron grip handle test weight
154626	25 lb Cast Iron grip handle test weight
154651	50 lb Cast Iron grip handle test weight
154656	500 lb Cast Iron grip handle test weight
154701	1,000 lb Cast Iron grip handle test weight



Individual Metric Cast Iron, Grip Handle Test Weights (Class F) with Traceable Certificate

154403	2 kg Cast Iron grip handle test weight
154406	5 kg Cast Iron grip handle test weight
154411	10 kg Cast Iron grip handle test weight
154421	20 kg Cast Iron grip handle test weight
154426	25 kg Cast Iron grip handle test weight



Item No.	Description	Wholesale
----------	-------------	-----------

Stainless Steel Cylindrical Test Weight Set — Includes case (Class F) with Traceable Certificate

154861	Test Weight Set: 500 g — 1 mg, weights included: • 1 - 500 g • 2 - 200 g • 1 - 100 g • 1 - 50 g • 2 - 20 g • 1 - 10 g • 1 - 5 g • 2 - 2 g • 1 - 1 g • 1 - 500 mg • 2 - 200 mg • 1 - 100 mg • 1 - 50 mg • 2 - 20 mg • 1 - 10 mg • 5 - 5 mg • 2 - 2 mg • 1 - 1 mg
154851	Test Weight Set: 5 lb — 0.001 lb, weights included: • 5 - 5 lb • 5 - 1 lb • 1 - 0.5 lb • 2 - 0.2 lb • 1 - 0.1 lb • 1 - 0.05 lb • 2 - 0.02 lb • 1 - 0.01 lb • 1 - 0.005 lb • 2 - 0.002 lb • 1 - 0.001 lb
154856	Test Weight Set: 2 kg — 1 g, weights included: • 5 - 2 kg • 5 - 500 g • 2 - 200 g • 1 - 100 g • 1 - 50 g • 2 - 20 g • 1 - 10 g • 1 - 5 g • 2 - 2 g • 1 - 1 g



• Traceable Certificate

- ◇ Traceable Certificates are accepted by many states as legal-for-trade calibration weights, however, call your local Weights and Measures office to confirm.

Remote Configuration Device (RCD) and Intalogix Test Box

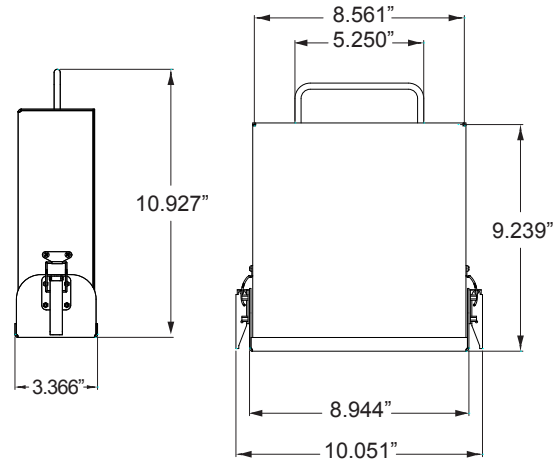
Remote Configuration Device (RCD)

Item No. 35053

Provides a temporary private wireless ethernet network to allow for remote FB6000, FB25XX & FB7100 configuration and calibration from a hand-held wireless (802.11) device such as a phone or tablet.

Specifications

Enclosure Blue powder coated steel
Antenna range Up to 3 miles line of sight
Antenna size 7.5" x 7.5"
Frequency 2.4 GHz



Intalogix Test Box

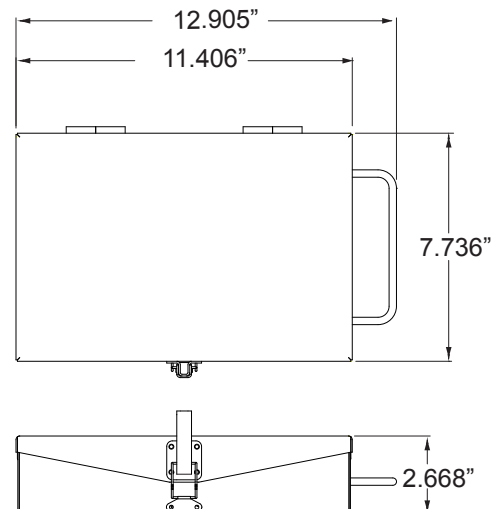
Provides a Smart Sectional Controller board, Pit Power Supply board, interconnecting cable, and short home run cable in a self-contained enclosure for testing systems equipped with Intalogix Technology (SSCs).

Item No: 34850

Specifications

Enclosure Yellow powder coated steel

Note: Requires a simulator (not included).



Fairbanks Tools

Load Cell Simulator

Used for testing analog Instrumentation and general troubleshooting.

Item No.
149150 FB 16 load cell simulator



Fluke 87 Digital Multi-Meter

To perform voltage test, verify connectivity, impedance checks.

Item No.
98497



Load Cell Leveling Tool

Used to level 66k & 100k rocker column load cells



Item No.
154600



Case included

Locating Tool 5½"

Used in place of rocker column load cells during scale installation.

Item No.
71717



Anti Static Wrist Strap

To provide proper grounding for technicians while working with and handling electronic parts.

Item No.
98499



Fairbanks Tools

RS 232 Tester

To test RS 232 communication lines.

Item No.
98500



DB25M to DB9M

Changes DB 25 male to DB9 male.

Item No.
98502



DB25F to DB9F

Changes DB25 Female to DB9 female.

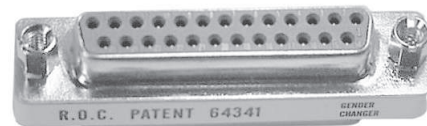
Item No.
98501



DB25F Gender Changer

Changes male gender 25 pin connector to 25 Pin female connector.

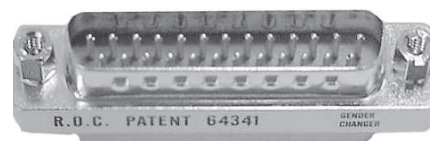
Item No.
98505



DB25M Gender Changer

Changes female gender 25 pin connector to 25 pin male.

Item No.
98506



Fairbanks Tools

DB9F Gender Changer

Changes female gender 9 pin connector to 9 pin female connector.

Item No.
98503



Torque Screwdriver

Adjustable torque screwdriver for properly torquing nuts and bolts.

Item No.
98663



Lead wire seals - Package of 100

Item No.
33710



This page intentionally left blank.