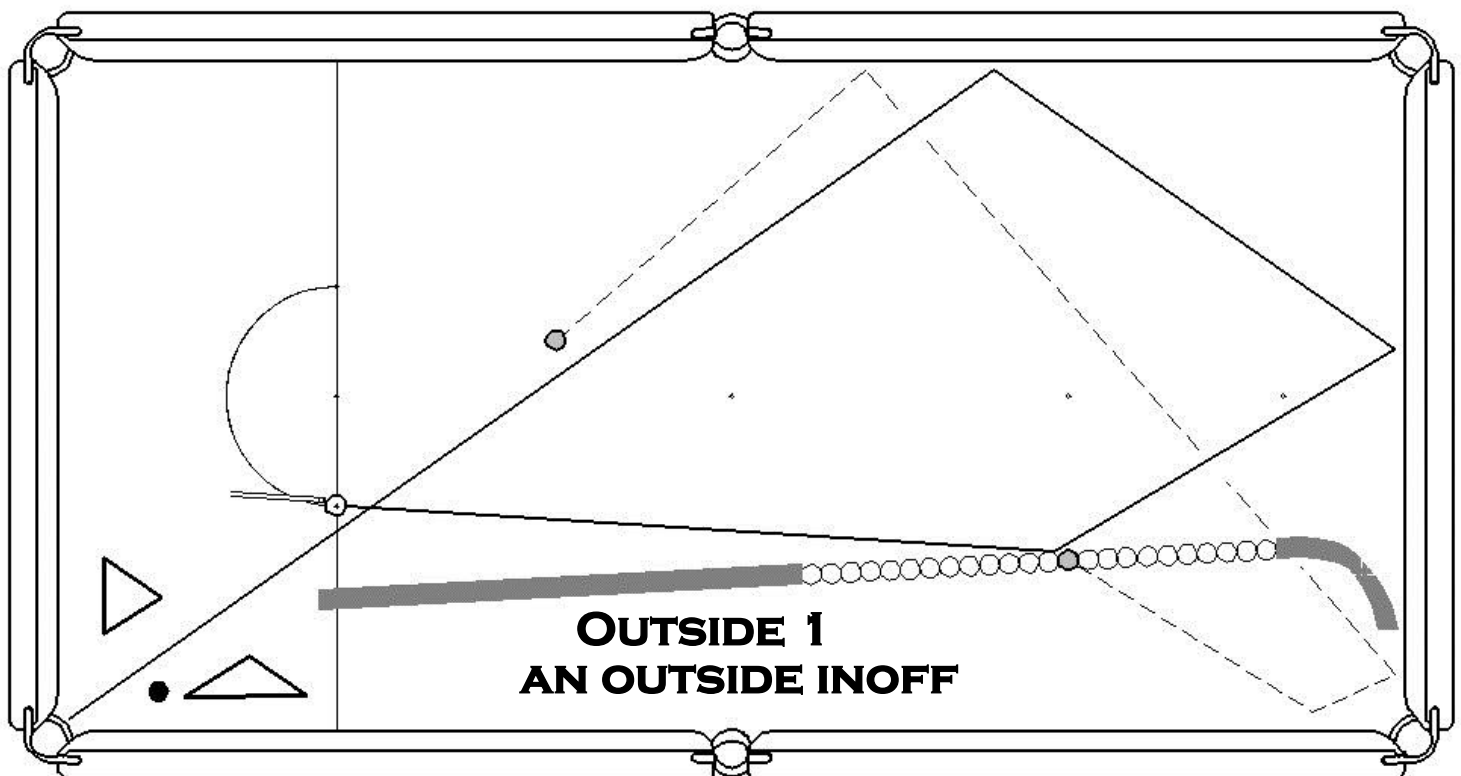


# 29 OUTSIDE-CANNONS

**29 CANNONS OUTSIDE 1 & TABLE 1** I attempted 29 outside-cannons. The yellow woz halfway tween the pyramid-spot & right-cush. I played from the yellow-spot, kontakting the yellow thick-halfball on its lhs, uzing left-spin. The qball hit the top-cush then left-cush. The red woz sitting near the **LUCKY-S-ZONE** az shown. Outside 1 shows an inoff.

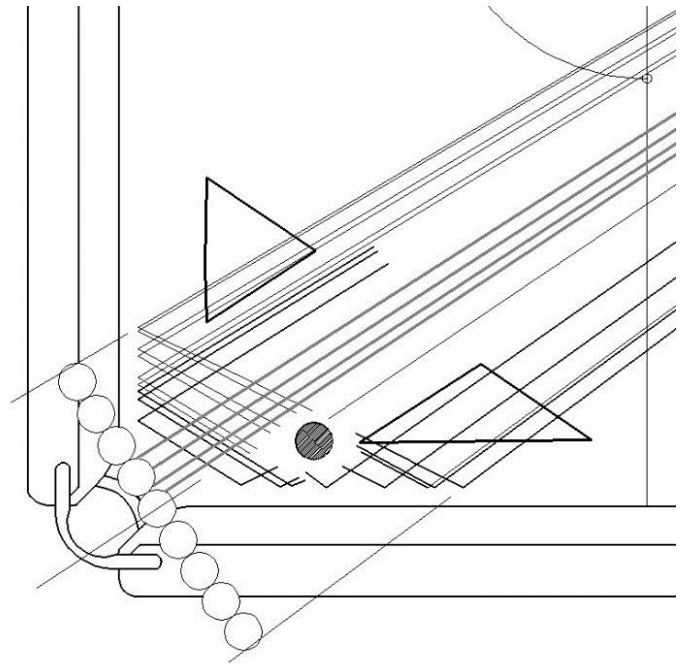
The hockey stick shows ideal pozzys where u need a similar thick halfball kontakt with some left-spin, playing from the yellow-spot. One problem with outside-cannons iz knowing & judging the angles. This here ideal-line iz a good guide. A yellow lying nearer the side-cush would need more left-side. A yellow lying nearer the centerline might need zero side.



**LUCKY ZONES** I show the two standard lucky-zones az a reference. Az can be seen i placed the red a little outside the **LUCKY-S-ZONE**, to try to hide some of the side-jaw void. Praps i would hav scored better had i placed the red in its uzual lucky place on the nearest apex of the lucky-S-zone.

## OUTSIDE 2 19 SKORING SHOTS

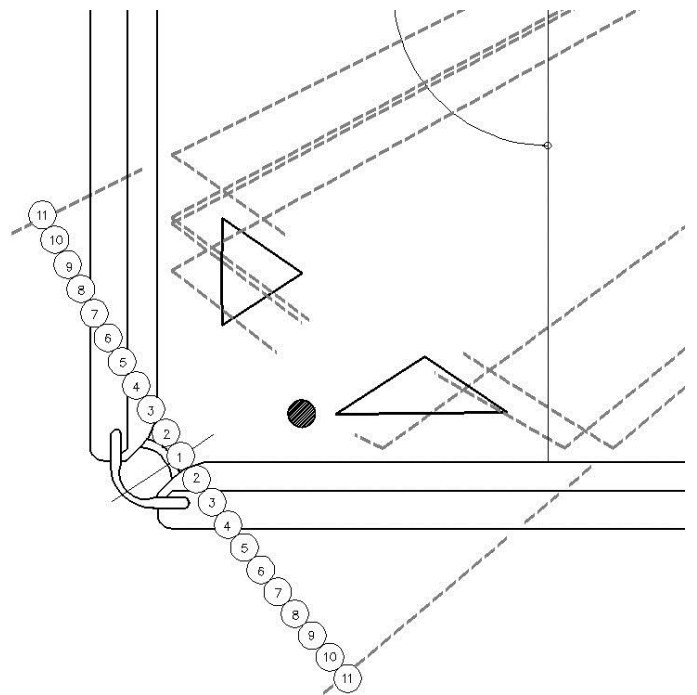
**15 CANNONS** I got 15 cannons in 29 shots (51.7%)(6 off bottom-cush)(3 off bottom & side cush)(0 off bottom-jaw)(0 off side-jaw)(1 direkt)(5 off the side-cush). I got **4** inoffs in 29 shots (13.8%). If u are keen on getting the inoff then u must make sure the yellow ends up out of baulk, otherwize the inoff iz wasted (koz u are double-baulked). Re the 4 inoffs, i had 4 fair leevs, & 0 poor. **FAIR LEEVS** My diary tells me that of the 19 cannons & inoffs 12 gave me a fair leev (or a good leev), & 7 gave a poor leev. On Shot 5 & 24 & 28 i left the yellow in-baulk koz i hit too thick, but this didnt hurt koz i didnt get an inoff. **19 IN 29** Anyhow, 19 skoring shots in 29



iz 65.5%. Not bad, but not az good az the **INSIDE-CANNON** where i skored 23 in 29 for 79.3%. **9 BALL PATTERN** Az shown by the 9 balls, the 19 skoring shots formed a 9 ball wide shot-pattern. Not inklooding the missed shots.

## OUTSIDE 3 10 MISSES

Shot 2 hit the side-cush & would hav cannoned but stopped short az shown. Shot 7 & 14 hit the side-cush too wide. Shot 11 & 12 & 13 & 15 hit the bottom-cush & missed too narrow. Shot 19 & 23 (not shown) missed koz the qbball kollided with the yellow (the qbball woz heading for the red ok). And in Shot 21 (not shown) i potted yellow in the right-top-pkt (i hit too thick), & the qbball stopped an inch short of getting the inoff (i hit too slowly). Shot 21 woz counted az a miss, even tho i skored (fluked) that there pot-yellow.



**20 BALL PATTERN** Az shown by the 21 balls, i managed to shoot a 20 ball pattern for 29 shots. The center of the pattern looks pretty perfikt, ie heading for the red-side of the pocket. Anyhow, the 20 ball pattern iz much much worse than the 6 ball pattern for my 29 inside-cannons. This shows that inside-cannons are more forgiving. Outside

cannons are very **TOUCHY**, too thin or too much side & u miss. A yellow sitting opposit the pyramid-spot halfway to the cush happens to lay on the junction of the ideal outside-cannon line & the ideal inside-cannon line, so u hav a choice. Looks like the inside-cannon iz the way to go.

**TABLE 1** RESULTS OF 29 ATTEMPTED OUTSIDE CANNONS.

number	qball									yellow				leev	
	bottom cush	bott & side	bottom jaw	inoff	side jaw	direkt	side & bott	side cush	stops short	pot yellow	kollizion	enter baulk	leev baulk	fair	poor
1	B													F	
2								X	X						
3				IO										F	
4	B														P
5								S				e		F	
6								S							P
7								X							
8								S						F	
9				IO										F	
10								S						F	
11	X														
12	X														
13	X														
14								X							
15	X														
16				IO										F	
17				IO										F	
18								S							P
19											K				
20		BS												F	
21				X					X	PY					
22	B													F	
23											K				
24	B											e			P
25	B													F	
26		BS													P
27		BS													P
28						D						e		F	
29	B														P
	6	3	0	4	0	1		5	2	1	2			12	7

15 cannons in 29 shots plus 4 inoffs makes 19 scoring shots in 29, or 65.5%.

Cannons off side & bottom are not possible when the red iz near the lucky-S-zone.

10 misses inklooded 2 kollizions, 2 shots stopped short, 4 went too narrow, 2 went too wide.

Shot 21 -- the pot-yellow woz into the righthand top-pkt -- the qball stopped short of the inoff.