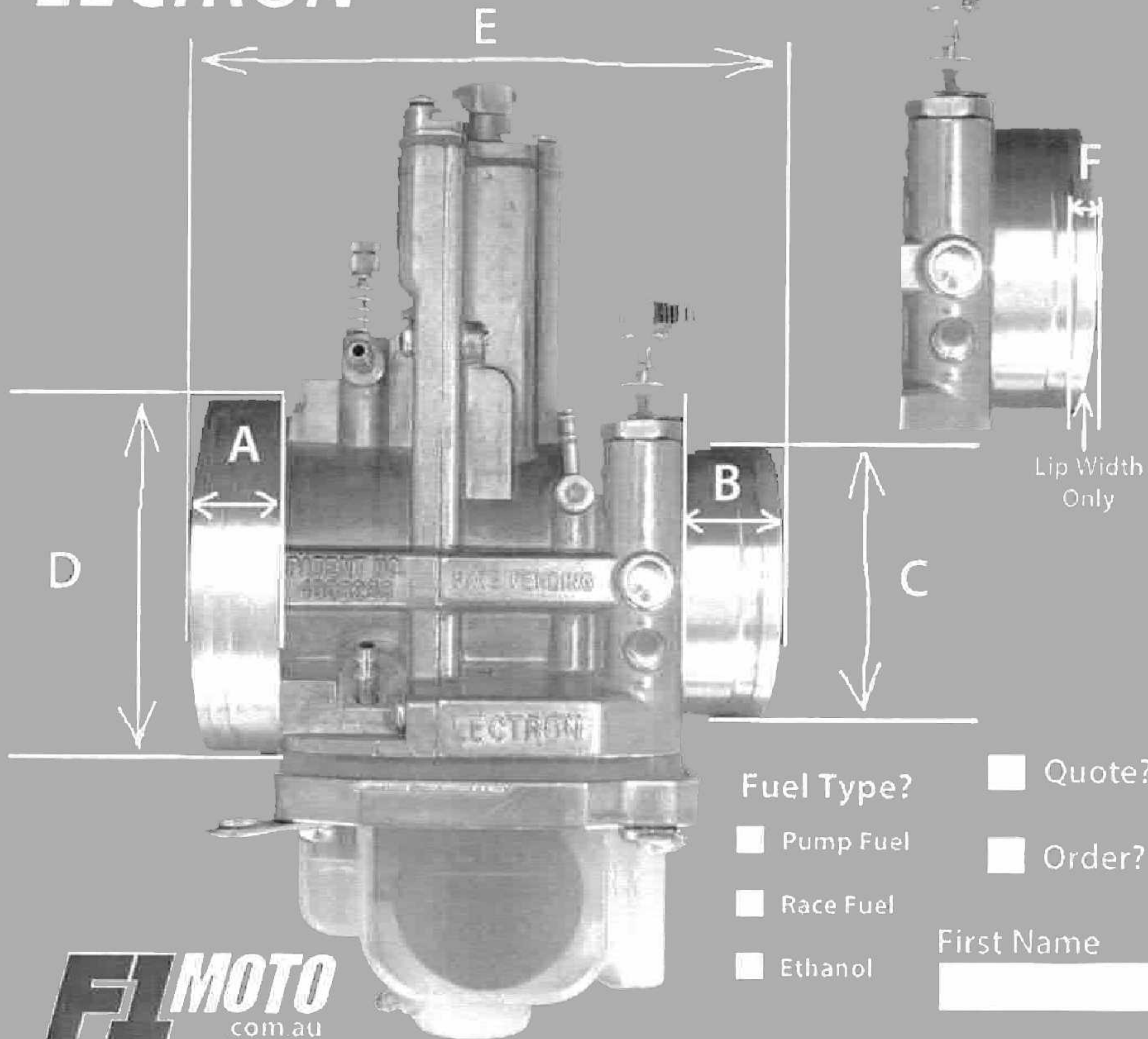


LECTRON

Lectron 4 -Stroke Carburetor Order Form



A
Measure in millimeters

B
Measure in millimeters

C
Measure in millimeters

D
Measure in millimeters

E
Measure in millimeters

F
Measure in millimeters

Fuel Type? Quote?
 Pump Fuel Order?
 Race Fuel
 Ethanol

First Name

Last Name

eBay Username / Order Number

Phone Number

F1MOTO
com.au
1300 970 041
info@f1moto.com.au